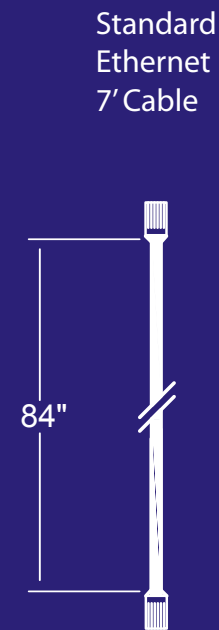
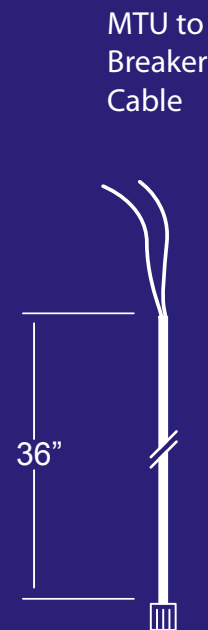
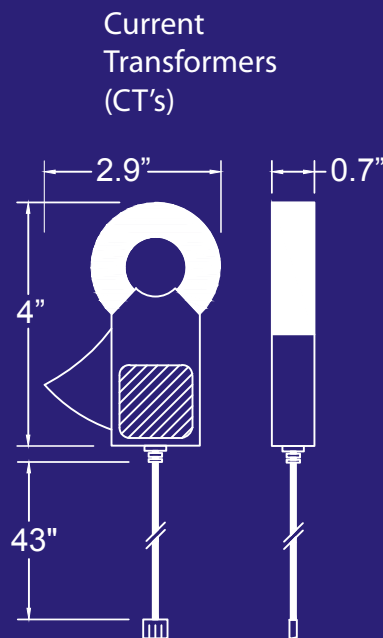
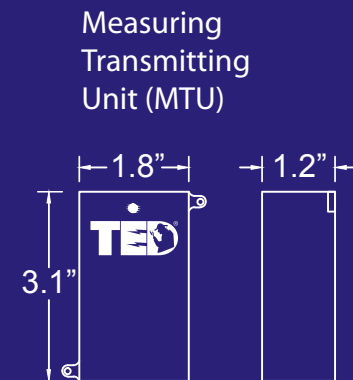
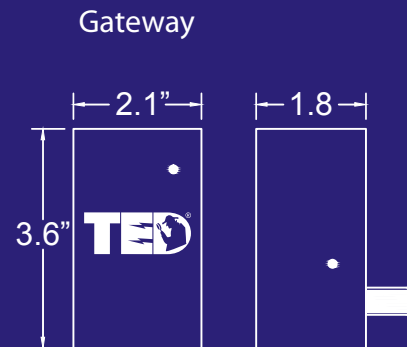
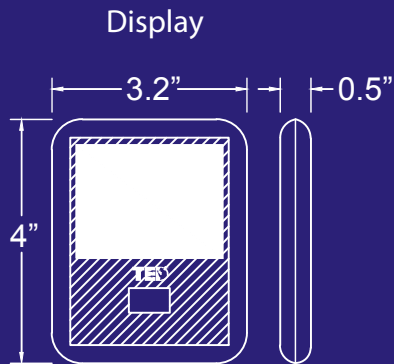


All TED systems are certified to conform to UL Standards in the US and Canada (ANSI/UL STD 916 - Certified to Canada STD C22.2 #205) by Intertek (ETL file 3185753), as well as all FCC requirements.

TED series is suitable for use only on 120/240 V single or split-phase 60Hz service (typical of any North American home). TED is suitable for electrical service up to 200 Amps, or up to 800 Amps with four parallel 200A feeds (with 4 MTUs). TED is suitable for services with maximum 350 MCM conductors.



Safe operating range and conditions for TED

	Display/Gateway	MTU
<b>Use:</b>	<b>Indoor</b>	<b>Outdoor</b>
Condition:	Dry	Dry/Damp
Temperature:	10-40 C	-40 to 40 C
Relative Humidity:	<80%	<90%
Altitude:	3,300 M	3,300 M
Voltage:	100-130 V	100-250 V