

P/N: T199163

Copyright

© 2015, FLIR Systems, Inc.

All rights reserved worldwide. Names and marks appearing herein are either registered trademarks or trademarks of FLIR Systems and/or its subsidiaries. All other trademarks, trade names or company names referenced herein are used for identification only and are the property of their respective owners.

Document identity

Publ. No.: T199163
 Release:
 Commit: 28462
 Language: en-US
 Modified: 2015-09-15
 Formatted: 2015-10-17

Disclaimer

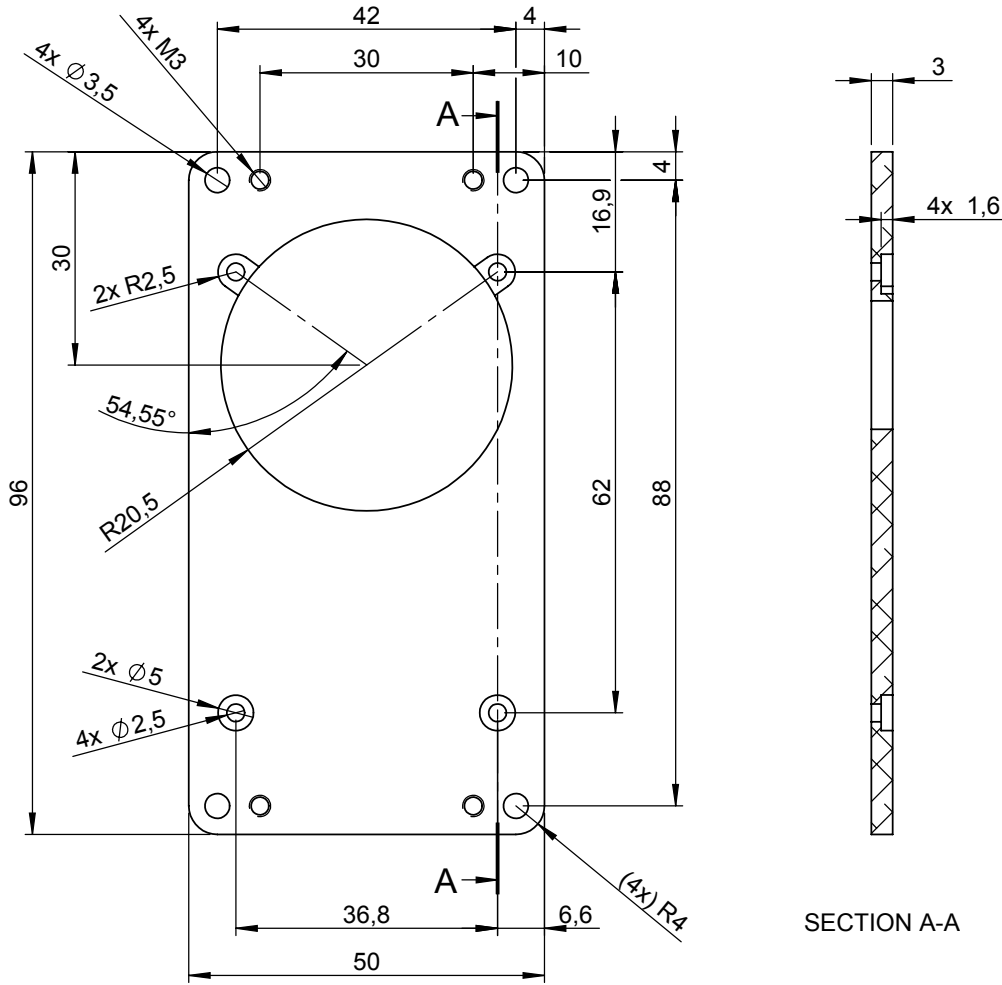
Specifications subject to change without further notice. Camera models and accessories subject to regional market considerations. License procedures may apply. Products described herein may be subject to US Export Regulations. Please refer to exportquestions@flir.com with any questions.



General description	
Front mounting plate kit for mounting a FLIR AX8 camera. Includes cooling bracket.	
Physical data	
Shipping information	
Packaging, type	Cardboard box
List of contents	<ul style="list-style-type: none"> • Front mounting plate • Cooling bracket • Screws
Packaging, weight	0.269 kg (0.59 lb.)
Packaging, size	183 × 136 × 63 mm (7.2 × 5.4 × 2.5 in.)
EAN-13	4743254002135
UPC-12	845188011659
Country of origin	Sweden x

Compatible with the following products

- 71201-0101; FLIR AX8 9 Hz



Konstr/Drawn J. MÄKINEN	Datum/Date 2015-03-06	Kontr/Check HAOS	Material EN AW-5052 or EN AW-5754	
Ändrad av/Modified by J. MÄKINEN	Ändrad/Modified 2015-05-21	Ytjämnhet/Roughness Ra μm	Ytbehandling/Surface treatment	
Där ej annat anges/Unless otherwise stated Gen tol ISO 2768-mK Utdrag ur/Excerpt from ISO 2768-m	Benämning/Denomination Plate mounting front			Skala/Scale 1:1
0,5-6 ±0,1 Hålkårsradier (6)-30 ±0,2 Fillet radii (30)-120 ±0,3				
				Blad/Sheet 1(1)
				Size A4
				Ritn nr/Drawing No
				Rev

