

Ethernet cable, M12 to RJ45

P/N: T128390ACC

Copyright

© 2015, FLIR Systems, Inc.

All rights reserved worldwide. Names and marks appearing herein are either registered trademarks or trademarks of FLIR Systems and/or its subsidiaries. All other trademarks, trade names or company names referenced herein are used for identification only and are the property of their respective owners.

Document identity

Publ. No.: T128390ACC

Release:

Commit: 29700

Language: en-US

Modified: 2015-10-16

Formatted: 2015-10-20

Disclaimer

Specifications subject to change without further notice. Camera models and accessories subject to regional market considerations. License procedures may apply. Products described herein may be subject to US Export Regulations. Please refer to exportquestions@flir.com with any questions.



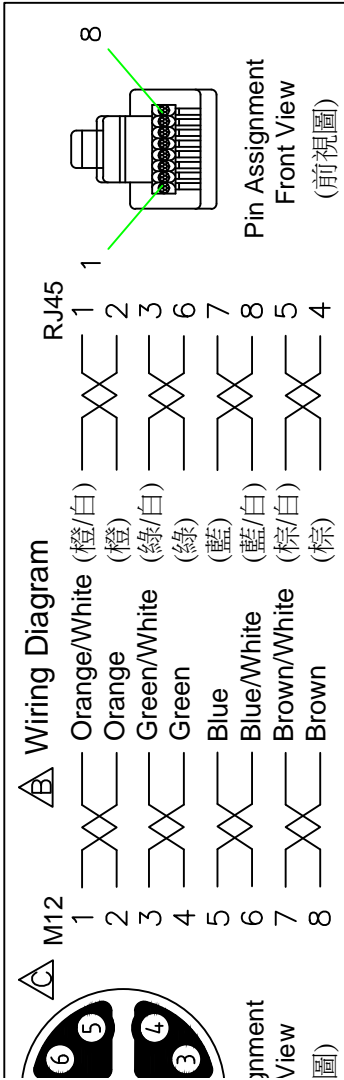
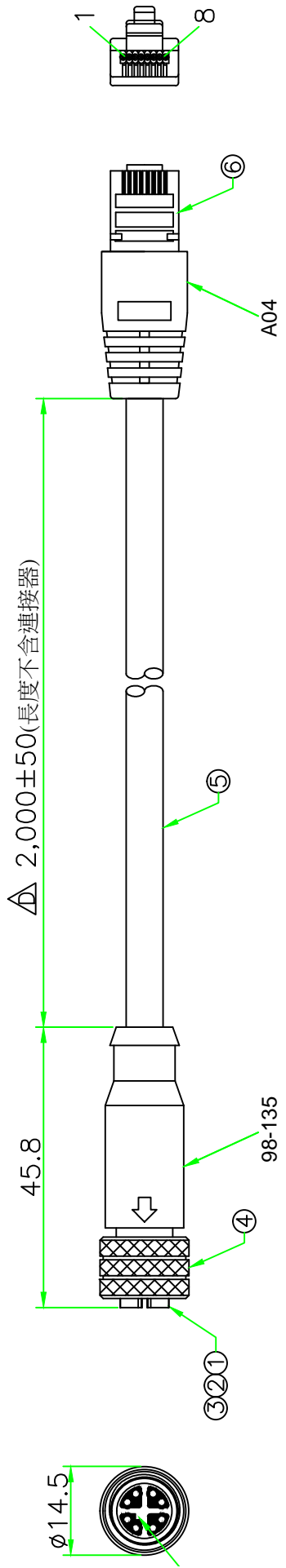
General description	
Ethernet cable, M12 to RJ45, X-coded.	
Physical data	
Weight	0.089 kg (0.20 lb.)
Cable length	2 m (6.6 ft.)
Connector	M12 to RJ45
Color	Black
Shipping information	
List of contents	• Cable
Packaging, weight	0.14 kg (0.31 lb.)
Packaging, size	202 × 146 × 25 mm (8.0 × 5.7 × 1.0 in.)
EAN-13	4743254001794
UPC-12	845188009946
Country of origin	Estonia

Compatible with the following products

- 71201-0101; FLIR AX8 9 Hz



REV.	DESCRIPTION	DATE
A	ISSUE	Dec/23/2013
B	Modify the wire diagram.	Dec/25/2013
C	Modify M12 Pin Assignment.	Dec/25/2013
D	Modify cable length.	Dec/25/2013
D1	Correct key direction.	Jan/22/2014
E	Add note.	Mar/30/2014
F	Modify P/N.	Sep/25/2014



6	PLUG	RJ45 8P8C PLUG.	1	78018P8C30A	
5	E	CAT5E FTP 24AWG x 4 PAIR + AL/MY + Drain wire, OD:6.0mm.	1	WAC2B0026	BLACK
4	NUT	Brass, Nickel Plated.	1	M12F-RN	
3	W G	Viton.	1	M12-O-VK	BLACK
2	FACT	Brass, Female pin, .6 u" Gold plated.	8	AASPF-1008-0.8	
1	VECTOR	M12 X-coding Female connector insert. Nylon+GF.	1	M12X-08F	BLACK
No.	T NAME	DESCRIPTION	QTY	REMARKS	COLOR

UNIT: mm	SCALE	TITLE
1:1	1:1	M12 X-Coding Female Molded Cable Assy

UNLESS OTHERWISE SPECIFIED TOLERANCES:	P/N:	DR.
x ± 0.25	K129351004	DR.
xx ± 0.1		CH.
xxx ± 0.05		AP.

REV.	SHEET	DWG. NO.
F	1/1	T128390