

3 Watt and 6 Watt Solar Panels (SOLAR-3W and SOLAR-6W)

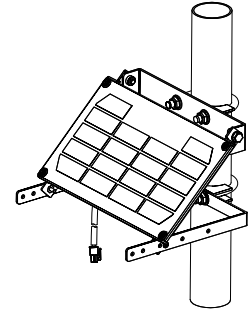
Items included:

- 3 watt or 6 watt solar panel with assembly hardware (brackets, screws, bolts, lock washers)
- U-bolts, saddles, flanged nuts (for mounting solar panel to a 4.1 cm/1.63 in. diameter mast)

Tool required:

- Phillips-head screwdriver
- 7/16-inch wrench
- 1/2-inch wrench

Important: The solar panel **must** be mounted where it will receive full sunlight or performance will be severely degraded.

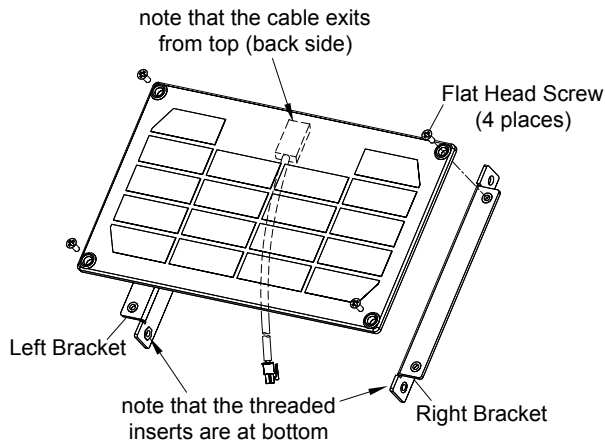


Mounted Solar Panel

Note: 3 watt solar panel shown in illustrations below; assembly identical for 6 watt panel.

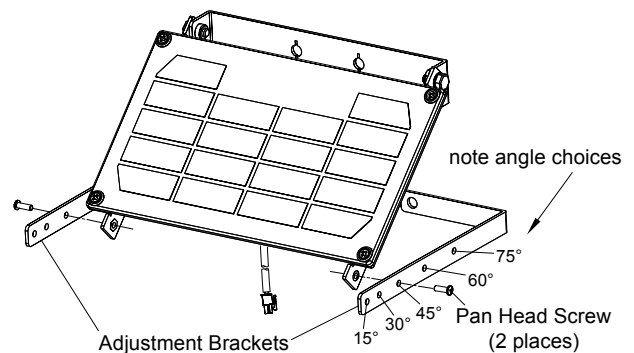
1. Install Left and Right Brackets.

Install the left and right brackets onto the solar panel using the four supplied flat head screws. Note orientation of the threaded inserts in the brackets and of the solar panel cable.



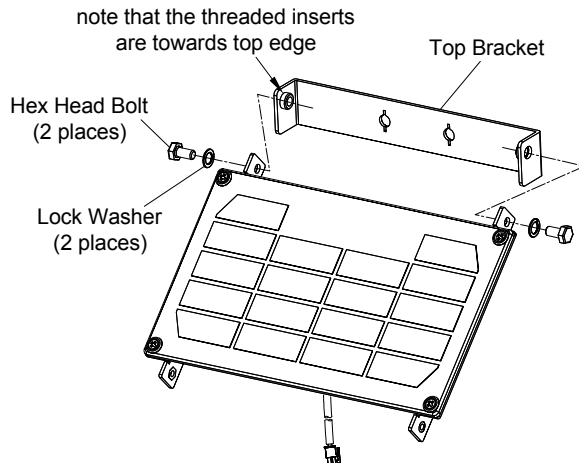
3. Install Adjustment Bracket.

Install the two adjustment brackets onto the left and right brackets using the two supplied pan head screws. Note the five angle choices (15°, 30°, 45°, 60°, and 75°) shown. Choose the proper angle for the location where the solar panel is being deployed and install the screws in the correct holes.



2. Install Top Bracket.

Install the top bracket between the left and right brackets using the two supplied hex head bolts and lock washers. Note orientation of the threaded inserts in the top bracket.



4. Mount to Mast.

Mount the assembled solar panel to 4.1 cm (1.63 inch) diameter mast (mast not included) using the supplied U-bolts and saddles (two each) and flanged nuts (four each) to secure the top bracket and the two adjustment brackets to the mast.

