

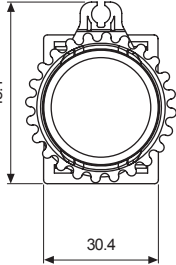
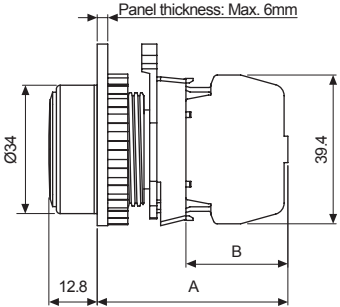


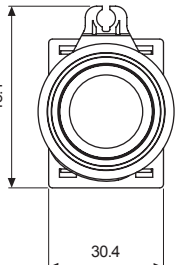
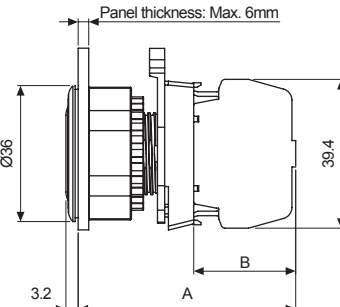


## Ø30 Round Push Button Switches (S3PR Series)

Type	Appearance	Model	Contact block		LED block										
			A contact	B contact	AC/DC voltage	AC voltage									
Extended	 <p>S3PR-P1R□</p> 	<b>S3PR-P1</b> □A(M)	1	—	—	—									
		<b>S3PR-P1</b> □2A(M)	2	—											
		<b>S3PR-P1</b> □3A(M)	3	—											
		<b>S3PR-P1</b> □B(M)	—	1											
		<b>S3PR-P1</b> □2B(M)	—	2											
		<b>S3PR-P1</b> □3B(M)	—	3											
		<b>S3PR-P1</b> □AB(M)	1	1											
		<b>S3PR-P1</b> □2AB(M)	2	1											
		<b>S3PR-P1</b> □A2B(M)	1	2											
<p>※□ indicates color : <b>R</b>, <b>B</b>, <b>G</b>, <b>Y</b>, <b>K</b></p> <p>※The M in the model name indicates modular type contact block. Models without M are singular contact block.</p> <p>※The control unit, contact blocks, LED blocks are sold separately. (control unit: bold letters, contact block: regular letters)</p> <p>• Dimensions <span style="float: right;">(unit: mm)</span></p> <div style="display: flex; justify-content: space-around;">   <table border="1" style="margin-left: auto;"> <thead> <tr> <th></th> <th>A</th> <th>B</th> </tr> </thead> <tbody> <tr> <td>Singular type</td> <td>50.5</td> <td>27.0</td> </tr> <tr> <td>Modular type</td> <td>48.5</td> <td>25.0</td> </tr> </tbody> </table> </div> <p style="text-align: right;">※For panel cut-out dimensions, please refer to page A-105.</p>								A	B	Singular type	50.5	27.0	Modular type	48.5	25.0
	A	B													
Singular type	50.5	27.0													
Modular type	48.5	25.0													

Type	Appearance	Model	Contact block		LED block										
			A contact	B contact	AC/DC voltage	AC voltage									
Flush	 <p>S3PF-P1B□</p> 	<b>S3PF-P1</b> □A(M)	1	—	—	—									
		<b>S3PF-P1</b> □2A(M)	2	—											
		<b>S3PF-P1</b> □3A(M)	3	—											
		<b>S3PF-P1</b> □B(M)	—	1											
		<b>S3PF-P1</b> □2B(M)	—	2											
		<b>S3PF-P1</b> □3B(M)	—	3											
		<b>S3PF-P1</b> □AB(M)	1	1											
		<b>S3PF-P1</b> □2AB(M)	2	1											
		<b>S3PF-P1</b> □A2B(M)	1	2											
<p>※□ indicates color : <b>R</b>, <b>B</b>, <b>G</b>, <b>Y</b>, <b>K</b></p> <p>※The M in the model name indicates modular type contact block. Models without M are singular contact block.</p> <p>※The control unit, contact blocks, LED blocks are sold separately. (control unit: bold letters, contact block: regular letters)</p> <p>• Dimensions <span style="float: right;">(unit: mm)</span></p> <div style="display: flex; justify-content: space-around;">   <table border="1" style="margin-left: auto;"> <thead> <tr> <th></th> <th>A</th> <th>B</th> </tr> </thead> <tbody> <tr> <td>Singular type</td> <td>57.6</td> <td>27.0</td> </tr> <tr> <td>Modular type</td> <td>55.6</td> <td>25.0</td> </tr> </tbody> </table> </div> <p style="text-align: right;">※For panel cut-out dimensions, please refer to page A-105.</p>								A	B	Singular type	57.6	27.0	Modular type	55.6	25.0
	A	B													
Singular type	57.6	27.0													
Modular type	55.6	25.0													



# Ø30 Push Button Switches

## Control Switches

- Ø16
- Ø22/25
- Ø30
- 30

## Push Button Switches

- Round
- Square
- Rectangular

## Selector Switches

- Round
- Square
- Rectangular

## Key Selector Switches

- Round
- Square
- Rectangular

## Double Push Button Switches


## Mushroom-head Push Button Switches

## Emergency Switches

## Pilot Lights

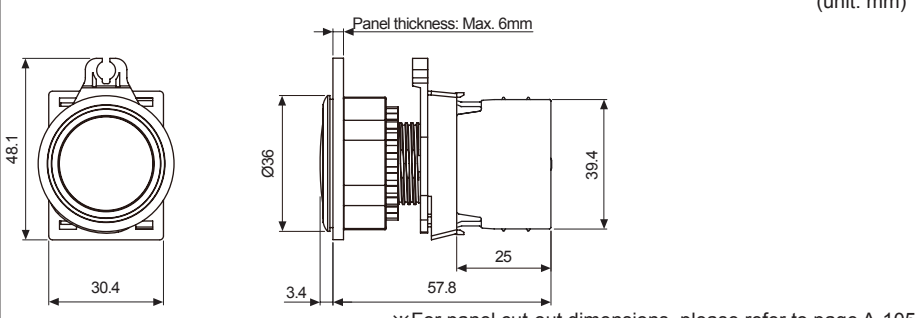
## Accessories

## Buzzers


Type	Appearance	Model	Contact block		LED block		
			A contact	B contact	AC/DC voltage	AC voltage	
Flush (illuminated)	 S3PFU-P3G□	Modular contact	<b>S3PF(U)-P3</b> □ADM	1	—	1	—
			<b>S3PF(U)-P3</b> □2ADM	2	—		
			<b>S3PF(U)-P3</b> □BDM	—	1		
			<b>S3PF(U)-P3</b> □2BDM	—	2		
			<b>S3PF(U)-P3</b> □ABDM	1	1		
			<b>S3PF(U)-P3</b> □ALM	1	—	—	1
			<b>S3PF(U)-P3</b> □2ALM	2	—		
			<b>S3PF(U)-P3</b> □BLM	—	1		
			<b>S3PF(U)-P3</b> □2BLM	—	2		
			<b>S3PF(U)-P3</b> □ABLM	1	1		

※□ indicates color: ■, ■, ■, ■, ■  
 ※The control unit, contact blocks, LED blocks are sold separately.  
 (control unit: bold letters, contact block: regular letters)  
 ※Control unit+contact block (modular type) models do not contain "Push" markings on the button cap.  
 ※Models with 'U' in the model name is available only for control unit. 'U' models do not contain "Push" markings on the button cap.  
 ※The LED color is the same as the control unit. ※Waterproof cap (model: SA-WP) is available.

### • Dimensions

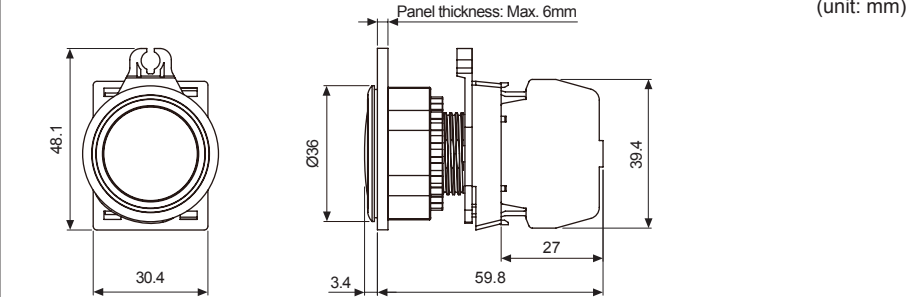


※For panel cut-out dimensions, please refer to page A-105.

Appearance	Model	Contact block		LED block		
		A contact	B contact	AC/DC voltage	AC voltage	
 S3PF-P3G□	Singular contact	<b>S3PF(U)-P3</b> □AD	1	—	1	—
		<b>S3PF(U)-P3</b> □2AD	2	—		
		<b>S3PF(U)-P3</b> □BD	—	1		
		<b>S3PF(U)-P3</b> □2BD	—	2		
		<b>S3PF(U)-P3</b> □ABD	1	1		
		<b>S3PF(U)-P3</b> □AL	1	—	—	1
		<b>S3PF(U)-P3</b> □2AL	2	—		
		<b>S3PF(U)-P3</b> □BL	—	1		
		<b>S3PF(U)-P3</b> □2BL	—	2		
		<b>S3PF(U)-P3</b> □ABL	1	1		

※□ indicates color: ■, ■, ■, ■, ■  
 ※The control unit, contact blocks, LED blocks are sold separately.  
 (control unit: bold letters, contact block: regular letters)  
 ※Control unit+contact block (singular type) models contain "Push" markings on the button cap.  
 ※Models with 'U' in the model name is available only for control unit. 'U' models do not contain "Push" markings on the button cap.  
 ※The LED color is the same as the control unit. ※Waterproof cap (model: SA-WP) is available.

### • Dimensions



## Ø30 Panel Cut-out Dimensions

(unit: mm)

Type		A	B	Panel Cut-out Dimensions
Round Push Button Switches (S3PR/S3PF Series)		 45	55	
Round Selector Switches (S3SF/S3SFN Series)	Short lever	 37	55	
	Long lever	 55	55	
Round Key Selector Switches (S3KF Series)		 37	55	
Pilot Lights (L3RF Series)		 37	55	

Control Switches

Ø16

Ø22/25

Ø30

□30

Push Button Switches

Round

Square

Rectangular

Selector Switches

Round

Square

Rectangular

Key Selector Switches

Round

Square

Rectangular

Double Push Button Switches

Mushroom-head Push Button Switches

Emergency Switches

Pilot Lights

Accessories

Buzzers