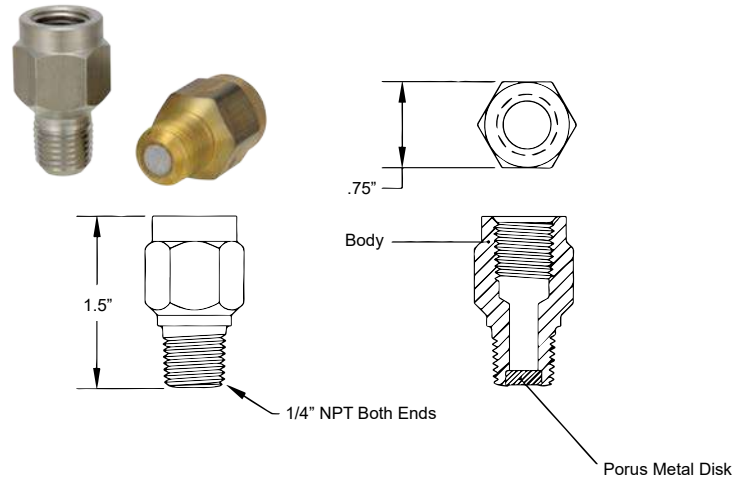


SNUBBERS

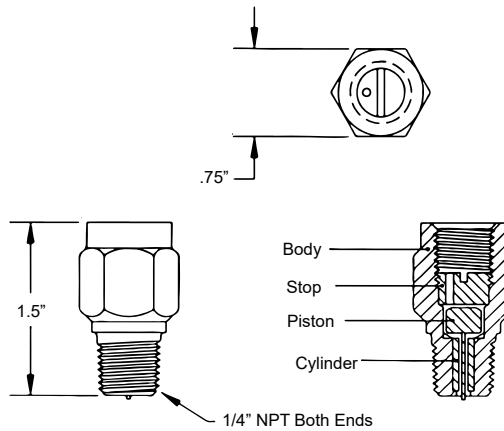
REOTEMP snubbers are a simple cost-effective solution for harmful pressure surges and pulsation. When a REOTEMP snubber is installed, it absorbs pulsation and surges. This protects your instrumentation and stabilizes the pointer for easier readings. Snubbers are available in either an adjustable self-cleaning piston design or an economical porous disk design.

POROUS DISK TYPE				
Max. PSI	NPT	Porosity	Material	Part #
5,000	1/4"	Liquid	Brass	PXS-722BE
		Gas		PXS-722BG
	1/2"	Liquid		PXS-723BE
		Gas		PXS-723BG
15,000	1/4"	Liquid	303SS	PXS-722SE
		Gas		PXS-722SG
	1/2"	Liquid		PXS-723SE
		Gas		PXS-723SG



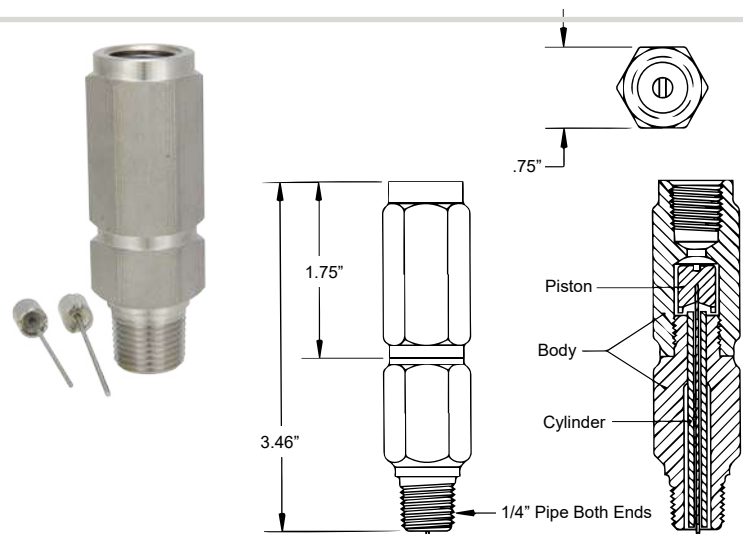
- The Economical Choice for Non-clogging Applications
- Multiple Porosities Available for Various Viscosities

SHORT ORIFICE PISTON TYPE				
Max. PSI	NPT	Length (in.)	Material	Part #
5,000	1/4"	1.5"	Brass	PXS-022B
			Monel	PXS-022M
			303SS	PXS-022S
15,000	1/2"	2"	316SS	PXS-022SS
5,000			Brass	PXS-023B
15,000	1/2"	2"	Monel	PXS-023M
			303SS	PXS-023S
			316SS	PXS-023SS



- A Moving Piston Design for Self-cleaning Action
- A Solid Body for High Pressure Resistance
- Three Pistons Included for Adjustable Snubbing

LONG ORIFICE PISTON TYPE				
Max. PSI	NPT	Length (in.)	Material	Part #
3,000	1/4"	3.46"	Brass	PXS-010B
5,000			303SS	PXS-010S
			316SS	PXS-010SS
5,000	1/2"	2"	Brass	PXS-060B
10,000			303SS	PXS-060S
			316SS	PXS-060SS



- A Long Orifice for Smoother Snubbing
- A Moving Piston Design for Self-cleaning Action
- Three Pistons Included for Adjustable Snubbing
- Center Joint (1/4" and brass models) for Easier Adjustment