



# OHAUS PS Series

Portable Electronic Pocket Scale



Ohaus PS pocket scales deliver great performance in a unique stylish yet functional design. The combination pan & cover slides back for weighing and forward to cover the display and keys for storage or transport. Two mechanical buttons and a crisp LCD allow for simple, quick operation. With the PS there is no reason to settle for other brands when you can have an Ohaus.

### *Standard Features Include:*

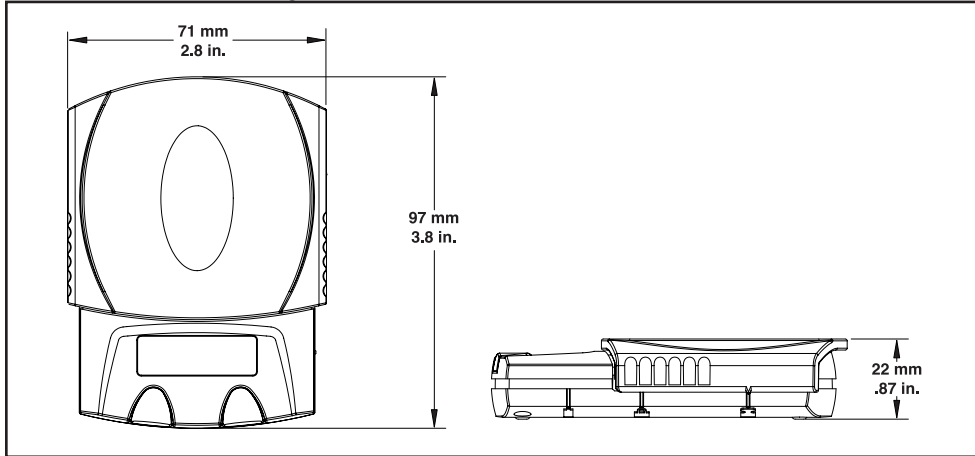
- ABS plastic front panel with painted carbon steel rear housing and mounting bracket
- Sliding pan & cover protects display and keys and prevents load cell damage in transport
- Smaller size than most pocket scales allowing a comfortable fit in your pocket
- Fast and easy battery replacement with "pop-out" design

# PS Series Portable Electronic Pocket Scale

## Specifications

Model	PS121	PS251
Capacity (g)	120	250
Readability (g)	0.1	
Repeatability (Std. Dev.) (g)	0.1	
Linearity (g)	0.1	
Off-Center Load (g)	0.1	
Weighing Units	g, oz, ozt, dwt	
Power	2 lithium batteries (included)	

## Outline Dimensional Drawings



## Standard Features

High contrast LCD, stability indicator, overload and underload indicators, low battery indicator, auto shut-off.

## Accessories

Calibration Masses

100g for PS121 .....80780036

200g for PS251 .....80780047

## Industry Leading Quality and Support

All OHAUS PS Pocket Scales are manufactured under an ISO 9001:2008 Registered Quality Management System. Our rugged construction and stringent quality control have been hallmarks of all OHAUS products for nearly a century.

74518 © Copyright Ohaus Corporation

\* ISO 9001:2008  
Registered Quality Management System

