



## Bulletin P-MSX-QS

### **Series MSX and MSX Pro Magnesense® Pressure Transmitter**

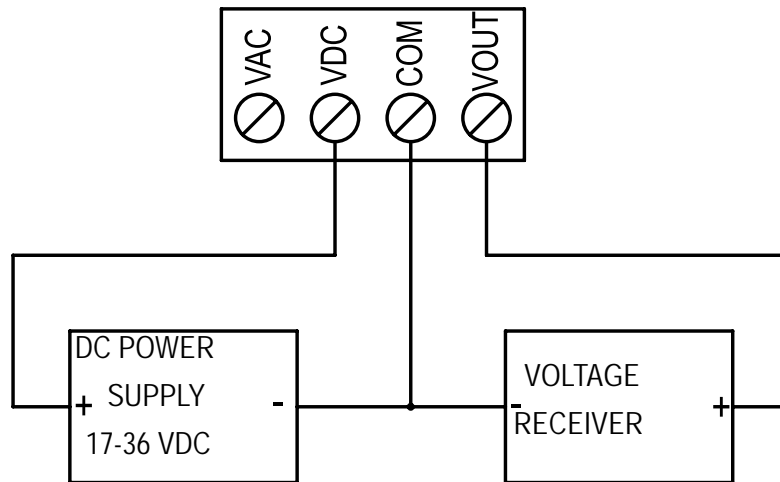
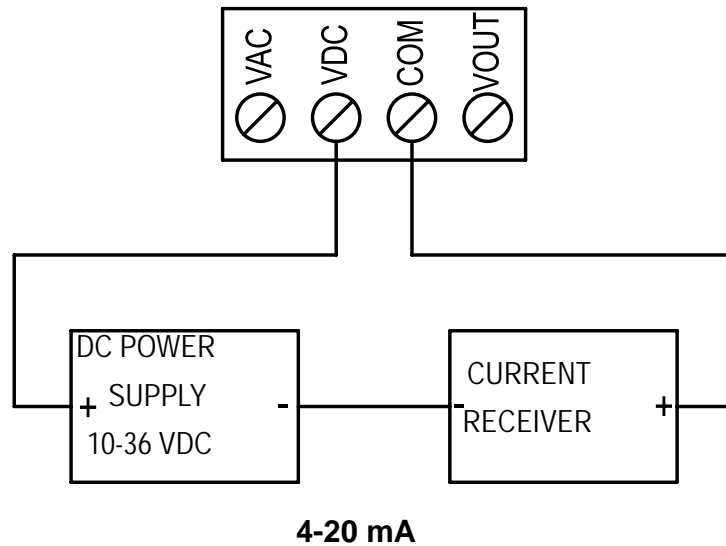
---

### **Specifications - Installation and Operating Instructions**

## **QUICK START GUIDE**

- 1. Mount** transmitter with pressure ports facing down. Do not over-tighten mounting screws.
- 2. Attach wires** following diagram on reverse side.
- 3. Set Zero Calibration.** Apply zero pressure to both pressure ports on transmitter at the same time you press ZERO button for 3 seconds.
- 4. Scan** QR code with smart device to open the product web page for additional resources.

# WIRING INFORMATION



## 3-wire voltage (with DC supply)

See online User Guide for AC wiring.

Printed in U.S.A. 8/20  
FR# 444572-00 Rev. 1  
©Copyright 2020 Dwyer Instruments,  
Inc.