

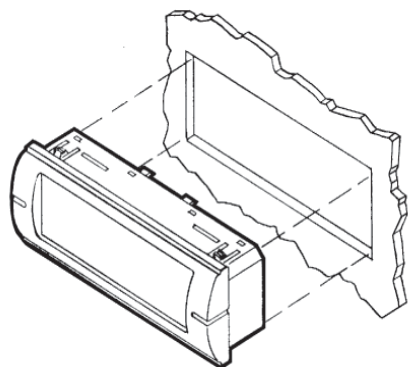
Mini M135 & M145 Digital Panel Meters



- 3/64 DIN Indicator
- Minimum depth - requires less than 0.7" (17mm) behind the panel
- Snaps right into panel - no mounting hardware required

| Input Specifications | | | |
|----------------------|-----------------|-----------------|---------------------|
| DC Voltage | | | |
| Range | M135 Resolution | Input Impedance | Max Input (Unfused) |
| 200mV | 100µV | >100MΩ | 50V |
| 2V | 1mV | 10MΩ | 250V |
| 20V | 10mV | 10MΩ | 250V |
| 200V | 100mV | 10MΩ | 250V |

| DC Current | | | |
|------------|-----------------|--------------|---------------------|
| Range | M135 Resolution | Voltage Drop | Max Input (Unfused) |
| 200µA | 100nA | 200mV | 10mA |
| 2mA | 1µA | 200mV | 40mA |
| 20mA | 10µA | 200mV | 100mA |
| 200mA | 100µA | 200mV | 400mA |

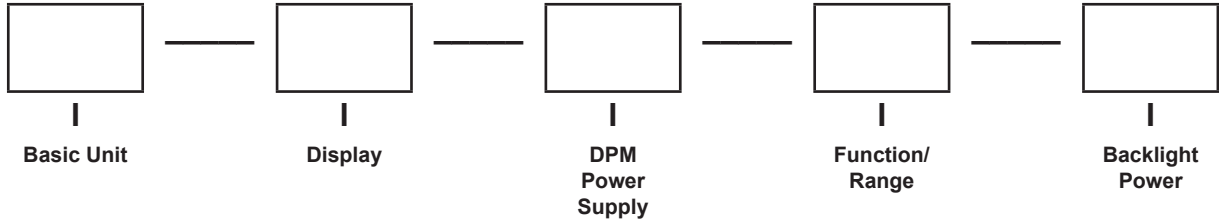


| Specifications | |
|--------------------------|-------------------------------------------------------------------------------------------|
| DISPLAY | |
| Type | 7- segment LCD |
| Height | 0.5" (12.7mm) |
| Decimal Point Position | User-Selectable |
| Overrange Indication | Most significant = "1" other digits blank |
| Backlighting | Optional negative image, red backlighting at 5, 10, 12, 24 or 48 DCV |
| Polarity | Auto with "-" indication, "+" indication implied |
| POWER REQUIREMENTS | |
| DC Power | ±5V, +5V and +9V Low Power Indication included with 9V units |
| Power supply current | 2mA max |
| Backlight supply current | 50mA typical For 24 and 48 DCV, 10mA typical |
| ACCURACY @ 25°C | 3 1/2 digit: ± (0.1% of reading + 1 count) 4 1/2 digit: ± (0.04% of reading + 1 count) |
| ENVIRONMENTAL | |
| Operating Temperature | 0 to 55°C |
| Storage Temperature | -10 to 60°C |
| Relative Humidity | 0 to 85° non-condensing @ 40°C |
| Warmup time | Less than 20 minutes |
| Temperature Coefficient | (All inputs) ± (0.02% of input ± 0.2 digit) / °C |
| NOISE REJECTION | |
| NMRR | 60dB, 50/60 Hz |
| CMRR | (with 1KΩ unbalanced @ 60Hz) 90dB min |
| A TO D CONVERSION | |
| Technique | Integrating |
| Rate | 3 samples/second-typical |
| MECHANICAL | |
| Bezel | 0.94" x 2.83" |
| Depth | 0.43" |
| Panel cutout | 0.89" x 2.71" (22.6 mm x 68.8 mm) |
| Weight | 1.0 oz. (28.3 g) |
| Case Material | 94-VO, UL-rated ABS |

Mini M135 & M145 Digital Panel Meters

Ordering Information -

Mini indicators can be configured by making an entry in each section below.
Example: M135-0-2-11-0



| Select From Each One Below | | |
|----------------------------|-----------------|--|
| Basic Unit | | |
| M135 | 3 1/2 Digit LCD | |
| M145 | 4 1/2 Digit LCD | |

| Display | | |
|---------|------------------------|--|
| 0 | Non Backlit | |
| 1 | Negative Red Backlight | |

| DPM Power Supply | | |
|------------------|---------|--|
| 0 | + 5 DCV | |
| 1 | ± 5 DCV | |
| 2 | + 9 DCV | |

| Select From Each One Below | | | | |
|----------------------------|----------|--|-----------------|--------|
| Function / Range | | | Backlight Power | |
| 11 | 200 DCmV | | 0 | None |
| 12 | 2 DCV | | 1 | 5 DCV |
| 13 | 20 DCV | | 2 | 10 DCV |
| 14 | 200 DCV | | 3 | 12 DCV |
| 21 | 200 DCμA | | 4 | 24 DCV |
| 22 | 2 DCmA | | 5 | 48 DCV |
| 23 | 20 DCmA | | | |
| 24 | 200 DCmA | | | |

Mounting Requirements -

The Mini indicators require a panel cutout of 2.71" (68.8mm) wide by 0.89" (22.6mm) high, and a panel area of 0.94" (24mm) high by 2.83" (72mm) wide. The depth behind the panel, including terminals, is 0.7" (17.8mm). The front bezel protrudes 0.16" (4mm) from the front of the mounting surface. The unit will snap-mount into panels from 0.050" to 0.125" thick. A 12-pin connector with 6" wire leads is included with each unit for quick installation.

Installation and Panel Cutout -

