

Magnum Pro

CALBRATION PUMPS

"We Can Handle The Pressure!"™



Protected by US & International Patents

M-10

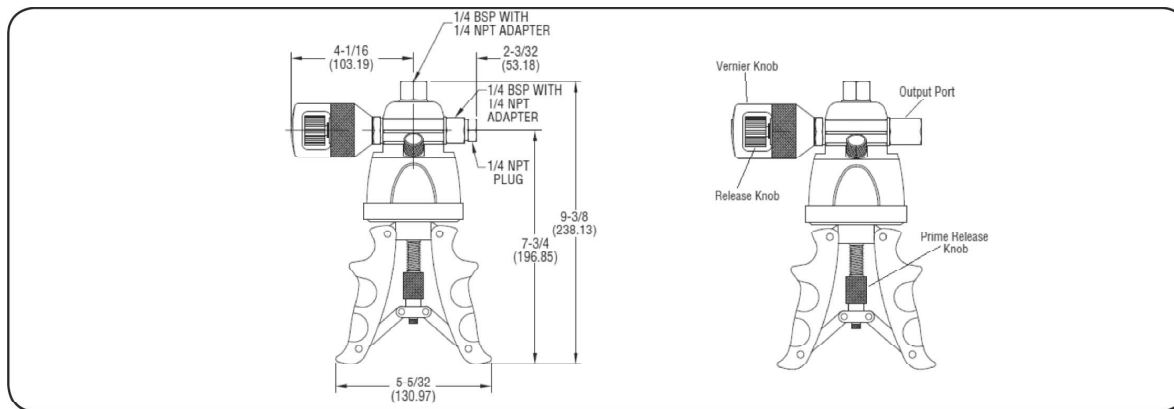
Hydraulic Calibration Hand Pump

The M-10 Hydraulic Calibration Hand Pump utilizes a fully adjustable stroke control that allows for quick priming, easy pumping and fast pressure generation up to 10,000 psi (700 bar). The ergonomically engineered handles provide extra comfort, while the patented triple filtration system ensures pump operation in spite of dirty conditions. The shatterproof reservoir and stainless steel construction guarantee leak free operation. The pump has oversized check valves to provide smooth controlled operation.

1.800.561.8187

www.**itm**.com

information@itm.com



SPECIFICATIONS

Range: 0-10,000 psi (0-700 bar)

0.1% of Reading

+/-0.1% of reading +/-0.01 FS +/- 1 digit.

For 0 to 64.5 PSI A (0 to 50 PSIG) FS is 64.5 PSIA (0 to 50 PSIG) .
For 64.5 to 3014.5 PSIA (50 to 3000 PSIG) FS is 3014.5 PSIA (50 to 3000 PSIG)

Connections: Gauge - 3/8" BSP, Process - 1/4" BSP (two 1/4" NPT adapters included).

Materials: Stainless steel fittings, polyurethane, anodized aluminum housing, plastic/rubber handles, PTFE, nitrile o-rings.

Weight: 3 lbs (1.36 kg)

Warranty: 2-year "quibble free" warranty.

Compatible with all gauges and calibrators. Made in the USA.

POINTS TO REMEMBER

- Do not exceed max pressure of 10,000 psi (700 bar).
- In order to use NPT fittings, the required NPT to BSP parallel thread adapters must be used (adapters included).
- Do not use thread sealant paste or tape on the male end of the adapters (Female end of the adapters require the use of paste or Teflon tape).
- Bonded washers (included) are required to insure a proper seal. To seal the adapters, simply hand-tighten and snug up with a wrench. Do not over-tighten.
- Use with distilled water, mineral-based hydraulic oil, or alcohol.

MAINTENANCE

No routine maintenance is required. A periodic check of system calibration is recommended, however. While the M-10 is field serviceable, it is recommended it be returned to East Hills Instruments if repair is needed. Please be sure to fill out an RMA form online prior to shipping.

OPERATION

1. Remove the fill cap and fill reservoir to the recommended level with the appropriate fluid. Replace the cap.
2. Connect hose fittings and calibrators to the adapters. Connect the master instrument to the M-10 via the top port. Connect instrument under test to the flexible hose/gauge adapter.
3. To prime the system, twist the knurled knob marked "Release". Squeeze the handles together and release. Twist the knob once again. Repeat as necessary until system is fully primed and low pressure is indicated on either the master or test instrument. This feature can be changed at any pressure.
4. Operate handle several times to build pressure. Please note that once pressure starts to rise, it will rise very rapidly. Be sure to not exceed the maximum operating pressure indicated on the face of the M-10.
5. Careful use of the release valve & fine control enable a controlled release of pressure, essential for calibration purposes.
6. To adjust the pressure relief valve, release the pressure and turn the valve counter clockwise 1/16 turn and then proceed to re-pressurize. Repeat if further reduction is necessary.
7. If the fluid level in the reservoir falls considerably during use, a partial vacuum can be created in the reservoir which may affect pump performance. To avoid this, unscrew the fill cap to allow air to enter the reservoir.

WARRANTY/DISCLAIMER: East Hills Instruments, Inc. warrants this unit to be free of defects in materials and workmanship for a period of twenty-five months from date of purchase. East Hills Instruments' warranty adds an additional one month to the normal twenty-four month product warranty to cover handling and shipping time. This insures that all customers receive maximum coverage on each product. If the unit malfunctions, it must be returned to the factory for evaluation. East Hills Instruments' will issue a return merchandise authorization (RMA) number immediately upon filling out the RMA form on our website. If the product is found to be defective upon examination by the Repair Department, the product will be repaired or replaced at no charge. This warranty also includes damage that may have occurred in the regular activities that the pump is designed for (Including accidental dropping of the product, as it is designed to withstand considerable damage). Unauthorized repair attempts or modification of the product may result in voiding of the warranty, and should be avoided. **RETURN REQUESTS / INQUIRIES:** Direct all warranty and repair requests/inquiries to the East Hills Instruments Customer Service Department. Before returning any product(s), purchaser must obtain an RMA number via our website in order to avoid processing delays.