

P/N: 73701-0101

Copyright

© 2015, FLIR Systems, Inc.

All rights reserved worldwide. Names and marks appearing herein are either registered trademarks or trademarks of FLIR Systems and/or its subsidiaries. All other trademarks, trade names or company names referenced herein are used for identification only and are the property of their respective owners.

Document identity

Publ. No.: 73701-0101

Release:

Commit: 26407

Language: en-US

Modified: 2015-06-04

Formatted: 2015-06-08

Corporate Headquarters

FLIR Systems, Inc.

27700 SW Parkway Ave.

Wilsonville, OR 97070

USA

Telephone: +1-503-498-3547

Website

<http://www.flir.com>

Customer support

<http://support.flir.com>

Disclaimer

Specifications subject to change without further notice. Camera models and accessories subject to regional market considerations. License procedures may apply. Products described herein may be subject to US Export Regulations. Please refer to exportquestions@flir.com with any questions.



General description	
The FLIR K2 is a robust and reliable infrared camera designed to perform under extremely severe conditions. The FLIR K2 has an intuitive interface with a design that makes it easy to control even with a gloved hand.	
Benefits:	
<ul style="list-style-type: none"> • Robust and reliable: The FLIR K2 is designed to meet tough operating conditions. It can withstand a drop from 2 m (6.5 ft.) onto a concrete floor, is water resistant to IP67, and is fully operational up to 55°C (135°F), and operational up to +85°C (+185°F) for 15 minutes, +150°C (+302°F) for 10 minutes, and +260°C (+500°F) for 3 minutes. • Innovative: The FLIR K2 utilizes our patented technology MSX, where a thermal sensor is combined with a visual camera sensor to give detailed image information in many user situations. • Easy-to-use: Easily used in a gloved professional hand. An intuitive and simple user interface allows you to focus on the job. The FLIR K2 can be controlled by just one large button on top of the unit. 	
Typical applications:	
<ul style="list-style-type: none"> • Heat detection. • Search and rescue. • Final extinction. • Back-up camera. • Scanning camera. • Fire attack. 	

Imaging and optical data	
IR resolution	160 × 120 pixels
Thermal sensitivity/NETD	< 100 mK @ +30°C (+86°F)

P/N: 73701-0101

© 2015, FLIR Systems, Inc.

#73701-0101; r. /26407; en-US

Imaging and optical data	
Field of view (FOV)	47° × 31.5°
Depth of field	0.1 m (0.33 ft.), infinity
Focal length	1.9 mm (0.075 in.)
Spatial resolution (IFOV)	6.22 mrad
F-number	1.1
Image frequency	9 Hz
Focus	Fixed

Detector data	
Detector type	Focal plane array, uncooled microbolometer
Spectral range	7.5–13 μm
Pitch	12 μm

Visual camera	
Built-in digital camera	640 × 480 pixels
Digital camera, FOV	73° × 61°, adapts to the IR lens
Sensitivity	Minimum 10 lux

Image presentation	
Display	3 in. LCD, 320 × 240 pixels, backlit
Auto range	Auto, non-selectable

Image presentation modes					
Image modes	<ul style="list-style-type: none"> • TI Basic fire-fighting mode (default) • Black-and-white fire-fighting mode • Fire mode • Search-and-rescue mode • Heat detection mode 				
	<table border="1"> <thead> <tr> <th colspan="2">NOTE</th> </tr> </thead> <tbody> <tr> <td colspan="2">The image mode can only be changed using FLIR Tools.</td> </tr> </tbody> </table>	NOTE		The image mode can only be changed using FLIR Tools.	
NOTE					
The image mode can only be changed using FLIR Tools.					
	Multi Spectral Dynamic Imaging (MSX) Yes				

Measurement	
Object temperature range	<ul style="list-style-type: none"> • -20°C to +150°C (-4°F to +302°F) • 0°C to +500°C (+32°F to +932°F)
Accuracy	±4°C (±7.2°F) or ±4% for ambient temperatures of 10–35°C (50–95°F)

P/N: 73701-0101

© 2015, FLIR Systems, Inc.

#73701-0101; r. /26407; en-US

Measurement analysis	
Spotmeter	1
Automatic hot detection	Heat detection mode (the hottest 20% of the of scene is colorized)
Isotherm	Yes

USB	
USB	USB Micro-B

Compatibility	
Compatible with FLIR software	FLIR Tools

Data communication interfaces	
Interfaces	Update from PC devices

Power system	
Battery type	Li ion
Battery voltage	3.6 V
Battery capacity	2.6 Ah at 20–25°C (68–77°F)
Battery operating time	Approximately 4 hours at +25°C (+77°F) ambient temperature and typical use
Charging system	Battery is charged inside the camera or in a dedicated charger
Charging time	2.5 h to 90% capacity, charging status indicated by LEDs
Charging temperature	0–45°C (32–113°F)
Power management	Automatic shutdown and sleep mode
Start-up time from sleep mode	10 seconds
Start-up time	30 seconds

Environmental data	
Operating temperature range	<ul style="list-style-type: none"> –10°C to +55°C (+14°F to +131°F): infinity +85°C (+185°F): 15 minutes +150°C (+302°F): 10 minutes +260°C (+500°F): 3 minutes
Storage temperature range	–40°C to +70°C (–40°F to +158°F)
Humidity (operating and storage)	IEC 60068-2-30, 24 hours, 95% relative humidity, 25–40°C (77–104°F), 2 cycles
Relative humidity	95% relative humidity, 25–40°C (77–104°F), non-condensing
EMC	<ul style="list-style-type: none"> EN 61000-6-2:2005 (immunity) EN 61000-6-3:2011 (emission) FCC 47 CFR Part 15 B (emission)



FLIR K2

P/N: 73701-0101

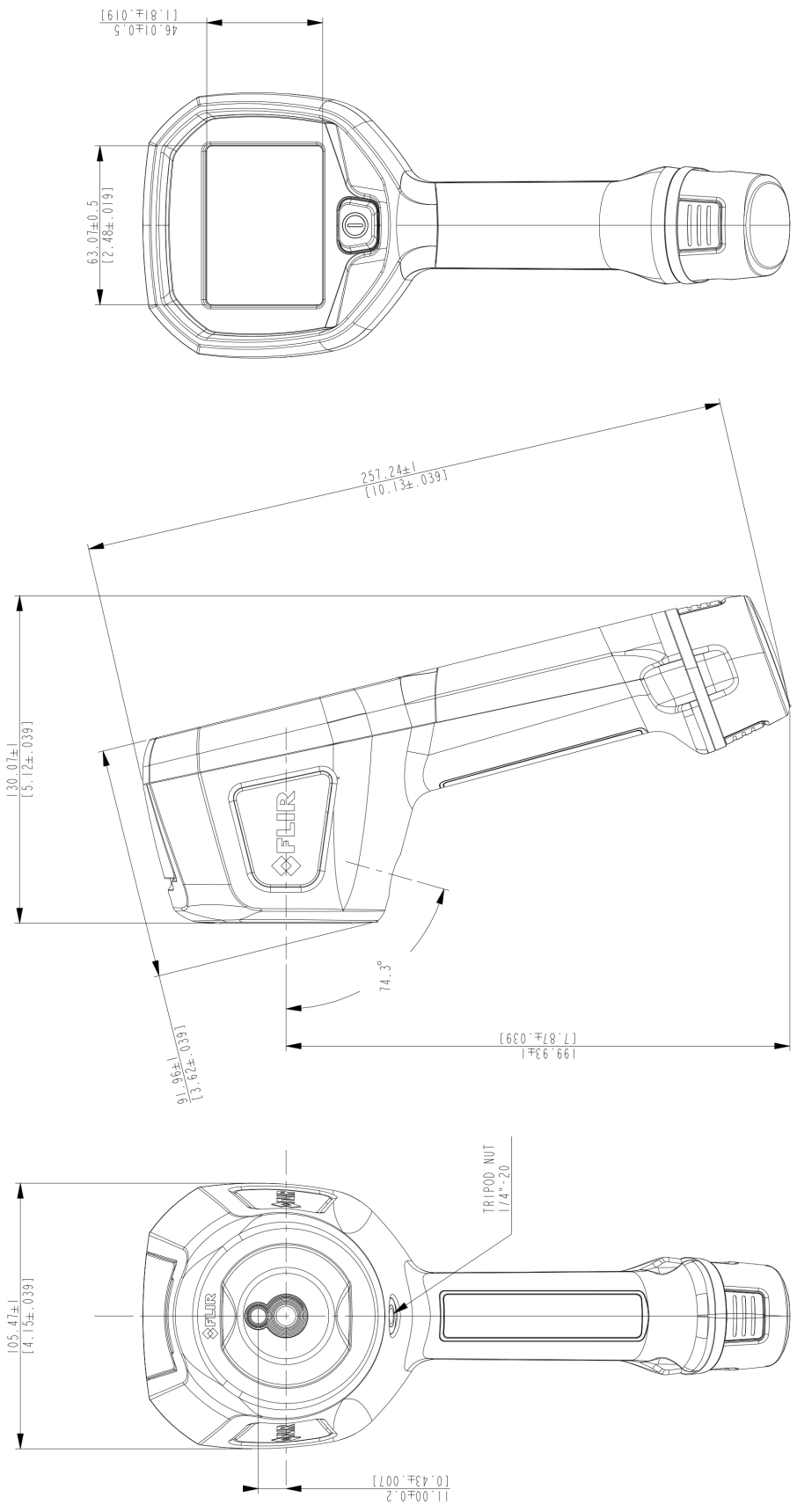
© 2015, FLIR Systems, Inc.

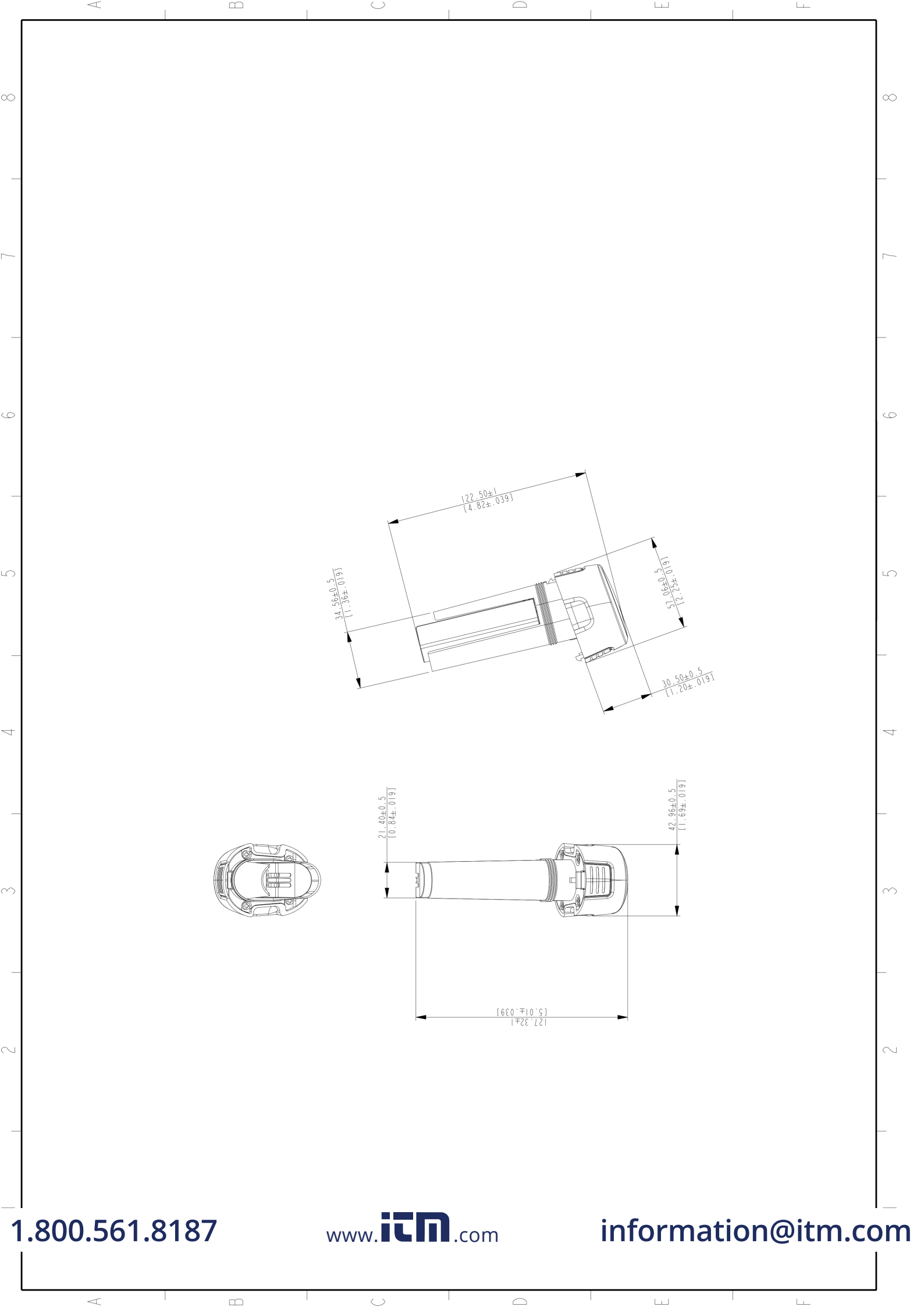
#73701-0101; r. /26407; en-US

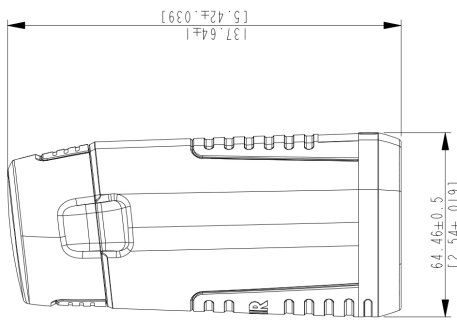
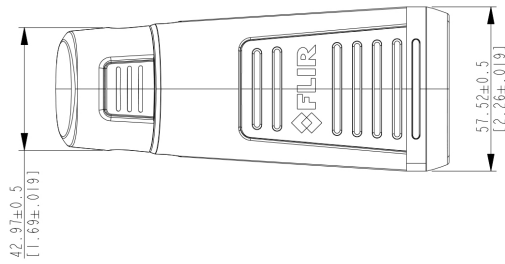
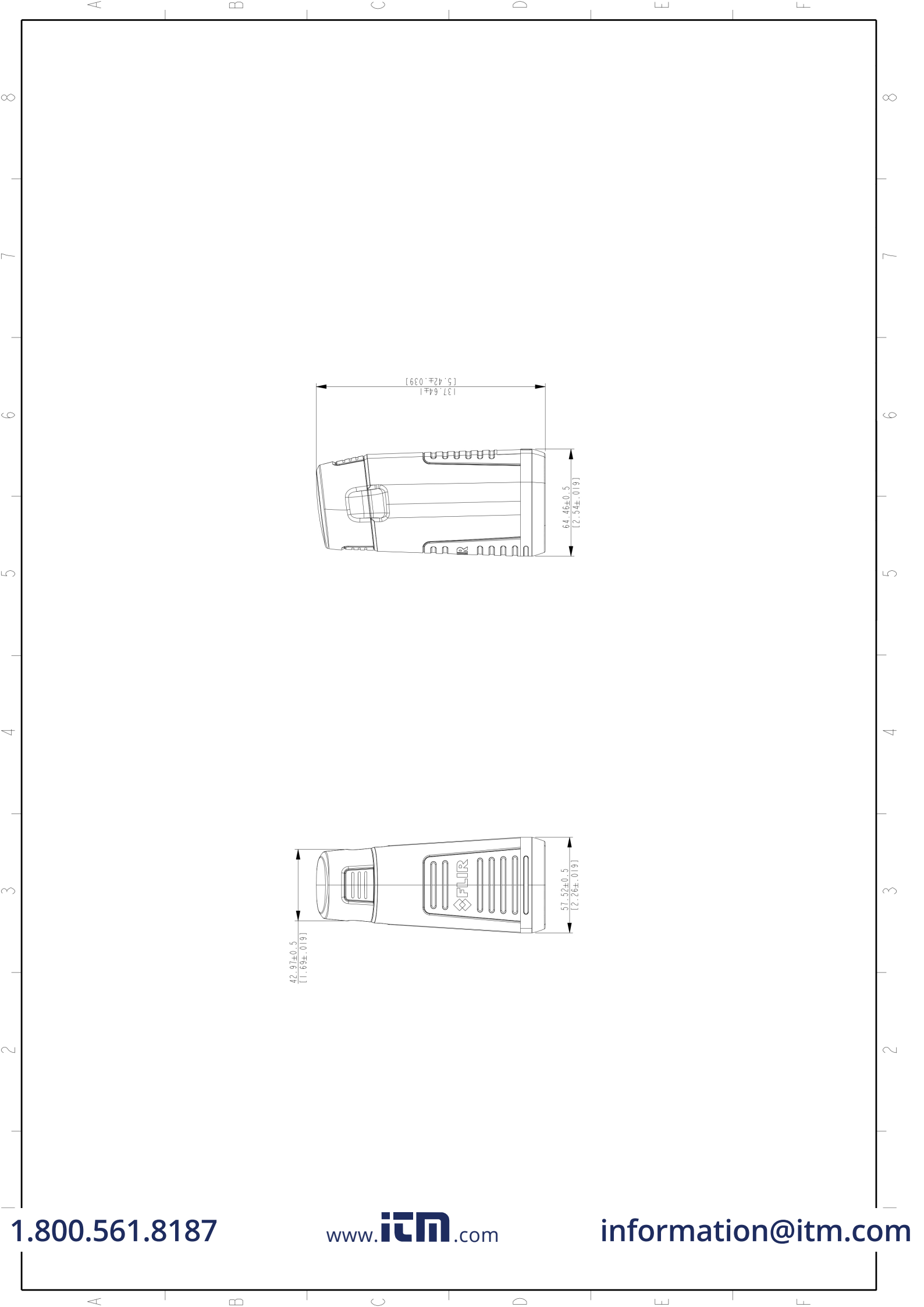
Environmental data	
Magnetic fields	EN 61 000-4-8, test level 5 for continuous field (severe industrial environment)
Encapsulation	IP 67 (IEC 60529)
Corrosion	ASTM B117, salt spray, 5% saline solution in 48 hours and +35°C
Shock	25 g (IEC 60068-2-27)
Vibration	2 g (IEC 60068-2-6)
Drop	2 m (6.6 ft.) on concrete floor (IEC 60068-2-31)
Safety (power supply)	CE/EN/UL/CSA/PSE 60950-1

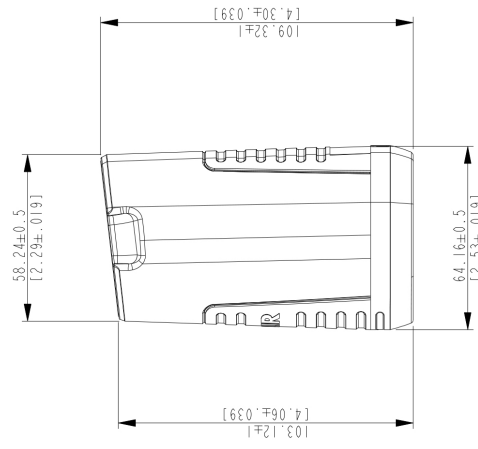
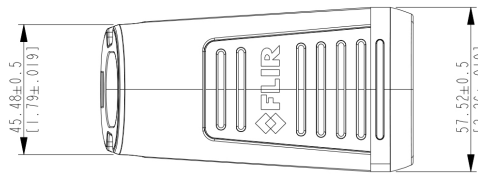
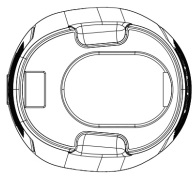
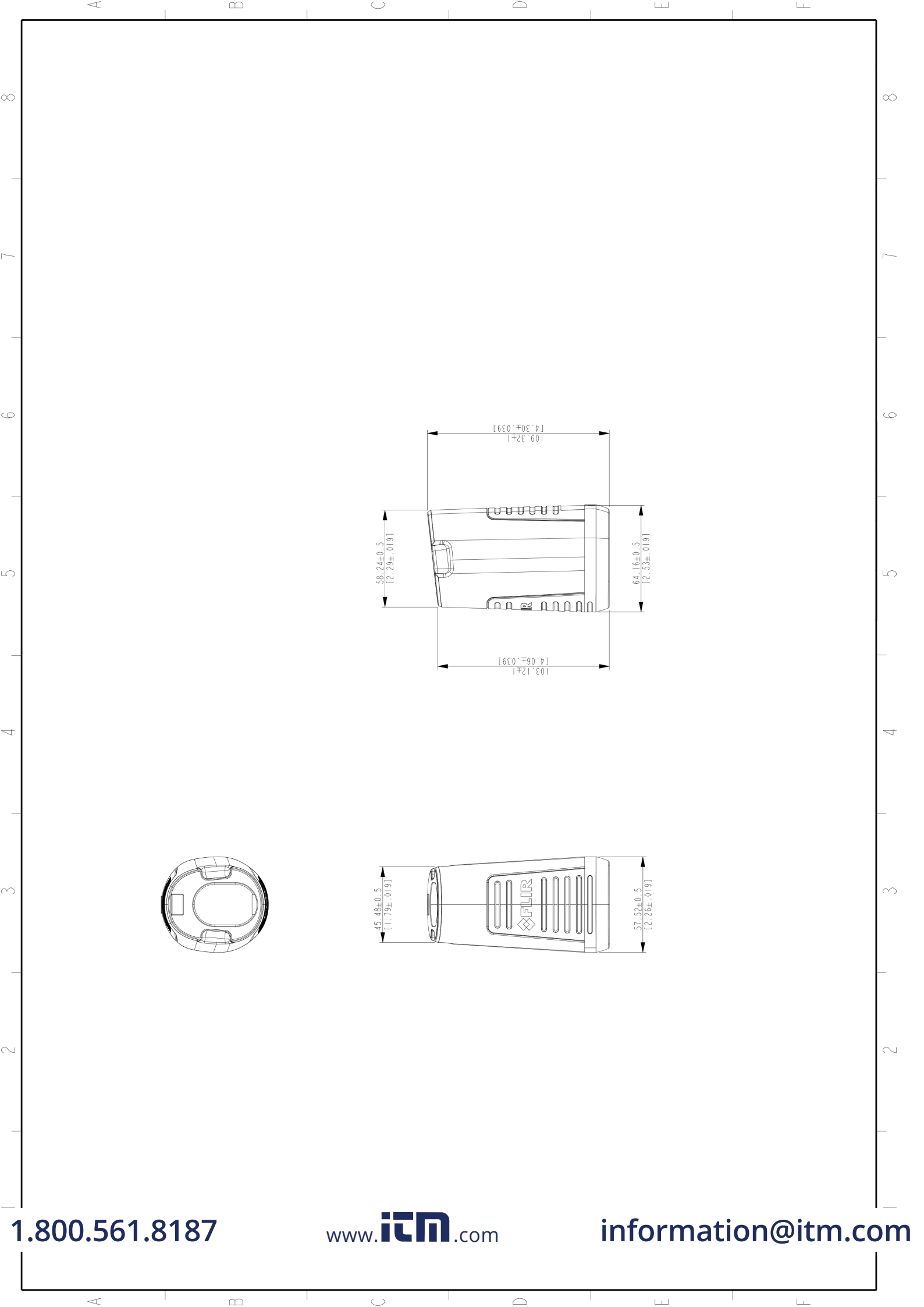
Physical data	
Camera weight, incl. battery	0.7 kg (1.54 lb.)
Battery weight	0.119 kg (0.26 lb.)
Camera size (L x W x H)	250 mm x 105 mm x 90 mm (9.8 in. x 4.1 in. x 3.5 in.)
Tripod mounting	UNC ¼"-20
Material	<ul style="list-style-type: none">• PPSU• Silicon rubber• Aluminium, cast• Flame-resistant magnesium alloy

Shipping information	
List of contents	<ul style="list-style-type: none">• Infrared camera• Battery (x2)• Battery charger• Lanyard strap• Power supply• Printed documentation• USB cable• User documentation CD-ROM
Packaging, weight	TBD
Packaging, size	TBD
EAN-13	4743254002050
UPC-12	845188011345
Country of origin	China











FLIR K2

P/N: 73701-0101

© 2015, FLIR Systems, Inc.

#73701-0101; r. /26407; en-US

1.800.561.8187

www.itm.com

information@itm.com