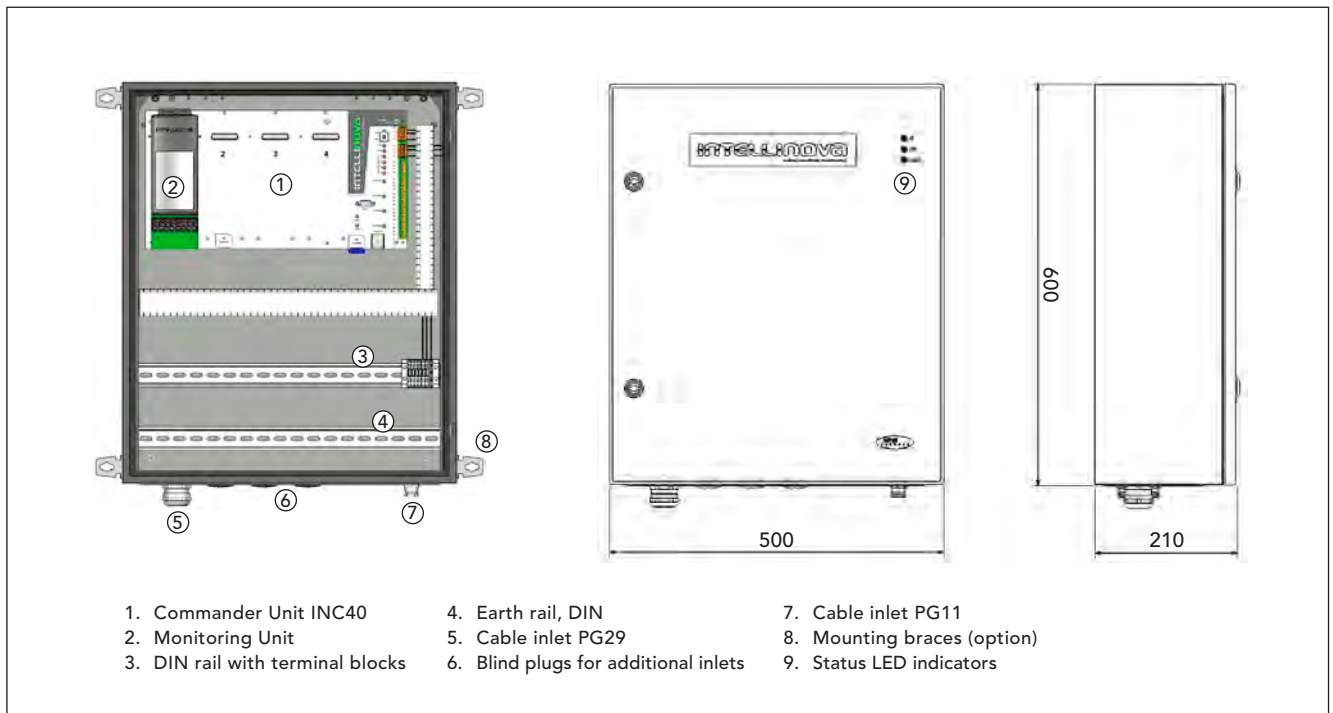


Intellinova® – System Unit INS10



The Intellinova System Unit INS10 is comprised of an industrial enclosure, a Commander Unit, internal cabling and terminals for power supply. Up to four monitoring units can be mounted and are ordered separately. The enclosure, intended for wall mounting, is robust and sealed for use in harsh environments.

The unit has a flange with one cable inlet for eight measuring cables plus two cable inlets for power supply and network connection. It has three blind plugs where additional cable inlets (Pg29) for up to 32 measuring cables can be mounted. Holes for cable inlets intended for digital in- and output connections

have to be drilled. The DIN rail has terminal blocks and cabling for connection of power supply. The unit has an earth rail (DIN) where the measuring cable shields should be connected. The unit is equipped with plastic cable channels and status indicators on the lid. Power supply unit, accessories for DIN rails, internal cabling and cable inlets are ordered separately.

Technical specifications for the Commander Unit are stated on data sheet TD-271. The various types of monitoring units are described on the data sheets TD-272 to TD-275. Cable inlets and accessories for DIN rails are described on TD-289.

Technical specifications, INS10

Design, enclosure:	enamelled steel, IP66
Power supply:	18 to 36 V DC, nom. 24 V DC
Storage temperature:	-20 to +80 °C (-4 to 176 °F)
Relative humidity:	10% to 90% (non-condensing)
Cable inlets:	1 PG29 for 8 measuring cables 2 PG11 for power supply and network connection
Terminals:	7 terminal blocks for connection of power supply
Dimensions (w x h x d):	500 x 600 x 210 mm (19.7 x 23.6 x 8.3 inches)
Mounting holes:	4 with diameter 8.5 mm, spacing (w x h) 460 x 560 mm
Weight:	approx. 21 kg (46 lbs)

Monitoring Units

INB80	Bearing Monitoring Unit for SPM transducers of type 40000 (TD-272)
INB82	Bearing Monitoring Unit for SPM transducers of type 42000 (TD-272)
INV80A	Vibration Monitoring Unit, screw terminals (TD-273)
INAI10	Analog Monitoring Unit (TD-274)
INAO80	Analog Output Unit (TD-275)

Options

INO11	Power supply unit, 18 W (TD-288)
INO12	Power supply unit, 50 W (TD-288)
INO13	Internal cabling with terminal blocks for digital outputs, 3 channels
INO14	Internal cabling with terminal blocks for digital inputs, 4 channels
INO16	Relay for external alarm, 2 poles (TD-290)
INO17	Key Phasor Interface, 2 channels
81325	Mounting braces, 4 pcs

SPM

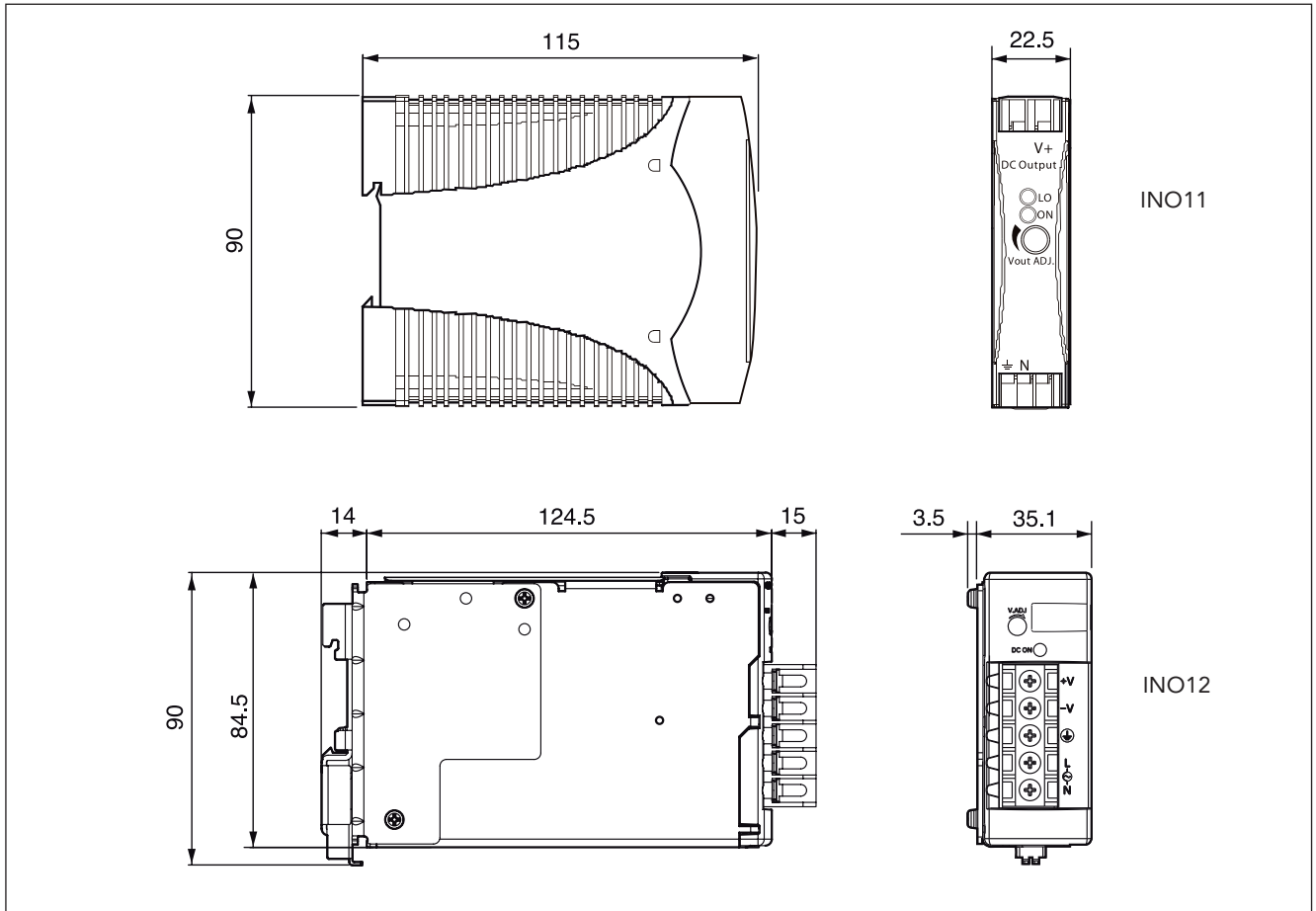
CE

1.800.561.8187

www.itm.com

information@itm.com

Intellinova® – Power Supply Units



The power supply units in the Intellinova system are intended for mounting on standard DIN rail. INO11 is used to supply a standard Intellinova System Unit with a power consumption of max. 18 W.

INO12 is required when supplying a System Unit and optional equipment with power consumption up to max. 50 W. The units are delivered complete with internal cabling and terminal blocks for DIN rail.

Technical specifications, INO11

Rated input voltage:	100 to 240 V AC (85 to 265 VAC)
Frequency:	50/60 Hz
Power rating:	18 W
Rated output voltage:	+ 24 V DC
Voltage adjustment range:	-10% to +20%
Output current:	750 mA
Protection:	input fuse, over load, over voltage, output short circuit
Ambient temperature:	-10 to +50 °C
Storage temperature:	-25 to +85 °C (with no icing or condensation)
Relative humidity:	20% to 95% RH
Dimensions (w x h x d):	22.5 x 90 x 115 mm
Approved standards:	UL/cUL (UL508/UL1310 Listed, Class 2 Power Supply), TUV (EN60950), CE (EN5008-1/EN55022 for EMI, EN50082-1/EN55024 for EMS), FCC (Class B)

Technical specifications, INO12

Rated input voltage:	100 to 240 VAC (85 to 264 VAC)
Frequency:	50/60 Hz
Power rating:	50 W
Rated output voltage:	+ 24 V DC
Voltage adjustment range:	-20% to +20%
Rated output current:	2.2 A
Protection:	input fuse, over load, over voltage
Ambient temperature:	-10 to +70 °C
Storage temperature:	-25 to +65 °C (with no icing or condensation)
Relative humidity:	30% to 85% RH
Dimensions (w x h x d):	38.6 x 90 x 153 mm
Approved standards:	UL: UL508 (Listing), UL60950-1, UL1604 (Class I/Division 2, Listing). CSA: cUL: C22.2 No.14, No.213 (Class I/Division 2), cUR: No. 60950-1. EN: EN50178, EN60950-1. SELV (EN60950-1). According to VDE0160/P100 SEMI-F47 (200 VAC input)

SPM

1.800.561.8187

www.itm.com

CE

information@itm.com