

ACCESSORIES

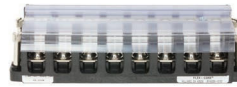
SHORTING TERMINAL BLOCK

MODEL 17SC

FEATURES

- UL Recognized
- Short circuiting versions for meter servicing, CT tap changing, etc.
- Rugged non-chipping heavy duty construction
- Clear plastic cover
- 4, 6, and 8 Pole configuration

600V CLASS



1708SC



1706SC



1704SC



LR19766



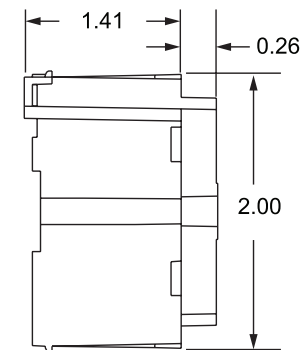
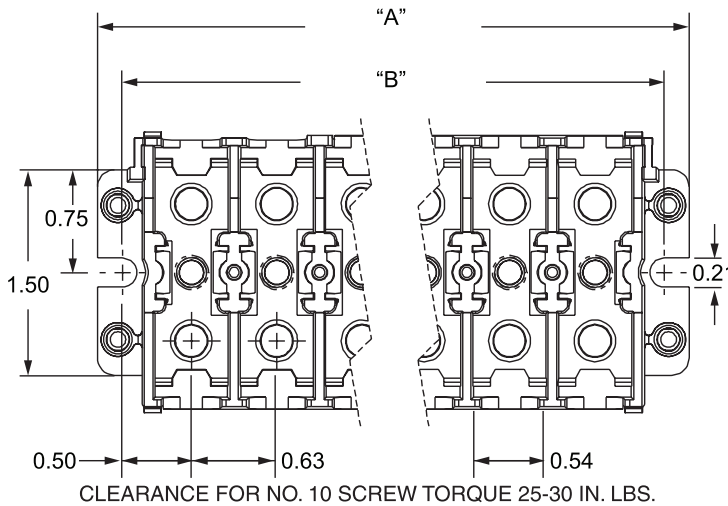
E62806

SPECIFICATIONS

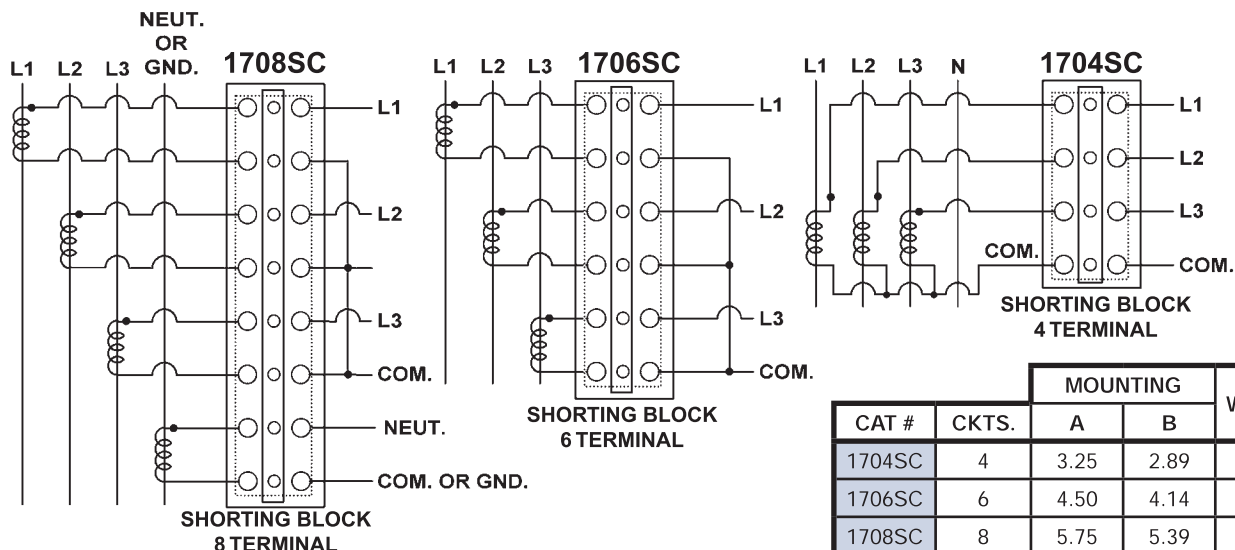
Rating 600Vac, 75A
 Wire Range 18-10 AWG
 Material Thermoplastic body
 Terminal Screws #10-32 nickel plated brass
 Terminals Brass, allows lugs up to 1/2" in width
 4, 6 and 8 pole configurations Shorting type with covers, shorting screws and screw "Parking Stations"
 Surface Mounting Flat base for one piece terminal block replacement
 *Optional DIN Rail Adapters for mounting on rail EN50035(DIN 1) P/N DIN-R-1-KIT

ORDERING INFORMATION	
CATALOG NUMBER	NUMBER OF POLES
1704SC	4
1706SC	6
1708SC	8

MOUNTING, WIRING & DIMENSIONS



All Dimensions In Inches



CAT #	CKTS.	MOUNTING		WEIGHT
		A	B	
1704SC	4	3.25	2.89	4.5 oz.
1706SC	6	4.50	4.14	6.5 oz.
1708SC	8	5.75	5.39	8.5 oz.