



## LIMITED WARRANTY

**TWO-YEAR LIMITED WARRANTY AND LIMITATION OF LIABILITY:** Hoto Instruments, for itself and its related companies (hereinafter described collectively as "Hoto Instruments") warrants that all Hoto Instruments products sold, except for those specific products identified below, will be free of defects in materials and workmanship for a period of two (2) years from date of delivery to end-user. The foregoing two (2) year warranty shall not be extended or changed by Hoto Instruments furnishing any replacements, additions, attachments, accessories or repairs to the products subsequent to the date of delivery or acceptance. The foregoing warranty is the sole and exclusive warranty of Hoto Instruments regarding the products.

**ONE-YEAR LIMITED WARRANTY FOR SPECIFIC PRODUCTS:** The foregoing limited warranty shall likewise apply to Cedar Torque Testers, KTC Torque Wrenches, all batteries, cables, attachments, and adapters, regardless of manufacturer, sold by Hoto Instruments, but the limited-warranty period is one (1) year from date of delivery to end-user.

**DISCLAIMER OF OTHER WARRANTIES:** Other than the foregoing warranties, there are no express or implied warranties or any affirmations of fact or promises by Hoto Instruments with respect to the products. Hoto Instruments disclaims any warranties, express, implied or statutory, not specifically set forth above, including any implied warranties of merchantability and fitness for any particular purpose..

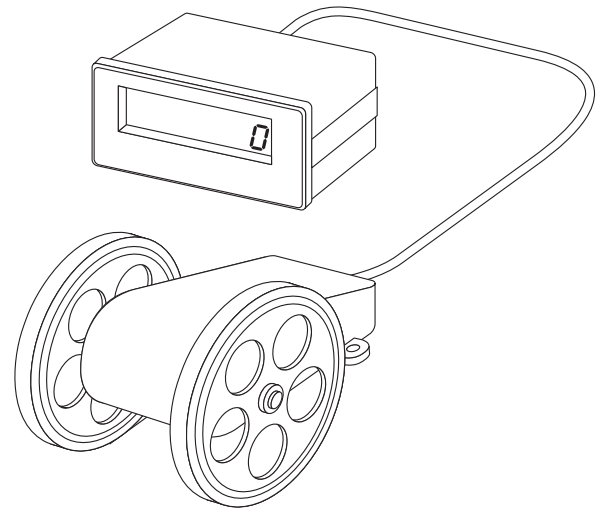
**LIMITATION OF LIABILITY AND REMEDIES:** Hoto Instruments' sole responsibility and liability incurred as a result of the sale and/or use of the products, and the purchaser's exclusive remedy against Hoto Instruments under any warranty shall be limited to the repair or replacement, at Hoto Instruments' option, of product components not conforming to the warranty.

**PURCHASER'S DAMAGES AND LIMITATIONS:** In no event shall Hoto Instruments be liable to purchaser, its assigns or agents, for economic loss, incidental or consequential damages, in contract or in tort, including but not limited to, any damages for lost profits, down-time, lost production, failure to meet purchaser's sales contracts, or defects in purchaser's material or workmanship. Hoto Instruments' limited warranty is terminated in the event of product overload, shock load, misuse, negligence, accident, or if repairs are attempted by the customer or third-parties without notice to and authorization by Hoto Instruments.

**INSTRUCTIONS FOR OBTAINING WARRANTY REPAIR OR REPLACEMENT:** Please contact our customer service department for a return authorization number. After you have obtained the authorization number, please return the subject product to Hoto Instruments with all freight, duty and brokerage costs prepaid.



# Panel Tachometer & Wheel Encoder



HSS SERIES

## INSTRUCTION MANUAL

## HSS Digital Speed Meter

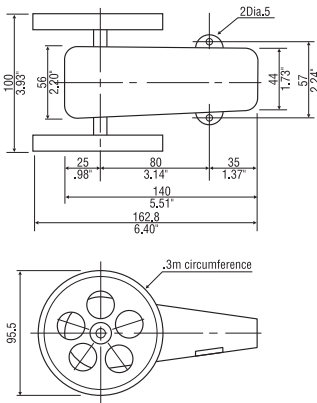
### Introduction

The HSS digital surface speed meter consists of an industrial grade heavy-duty surface speed encoder with wheels and a digital indicator. The system delivers repeatable and accurate measurements of surface speed. The dual, anti-slip rubber rimmed wheels are perfect for measuring paper, plastic, laminates and other smooth finish materials. Comes with a four foot cable.

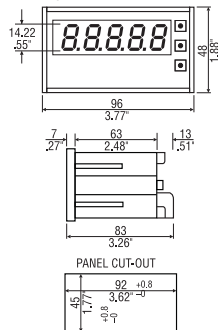
Digital Speed Meter Ranges		Unit	Speed Range	Resolution
Model	24 VDC			
110/220 VAC	HSSD-F	ft/min	1.0 ~ 400.0	0.1
HSS-F	HSSD-F	ft/min	1.0 ~ 400.0	0.1
HSS-IN	HSSD-IN	inch/min	12 ~ 4700	1
HSS-Y	HSSD-Y	yard/min	0.3 ~ 110.1	0.1
HSS-M	HSSD-M	m/min	0.3 ~ 120.0	0.1
HSS-CM	HSSD-CM	cm/min	30 ~ 12000	1

### Dimensions

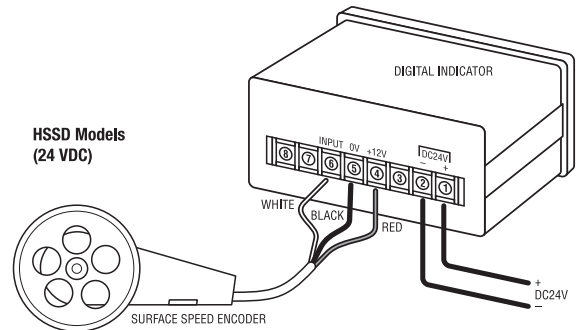
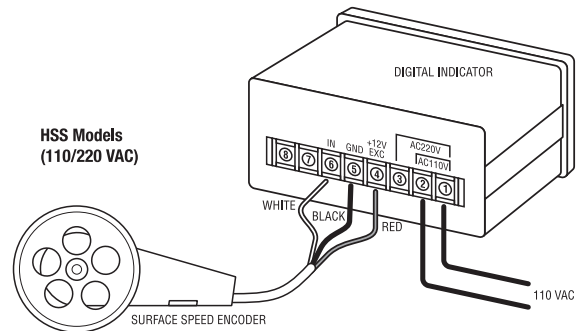
Surface Speed Encoder



Digital Indicator



## Connections



### Important

- Do not exceed speed ratings.
- Do not use instrument in a humid or dusty environment.
- To clean, wipe surface with a damp, soapy cloth. Avoid harsh chemicals.