

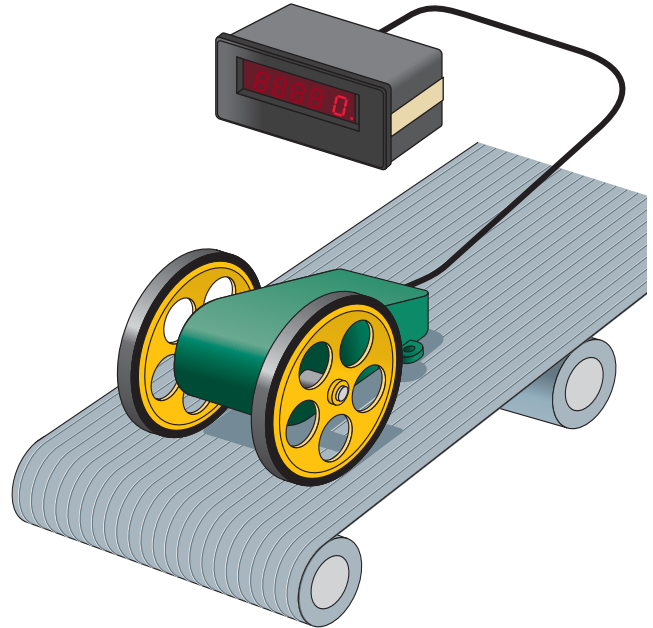


Digital Surface Speed Meter

Model HSS-__ (110 VAC)

Model HSSD-__ (24 VDC)

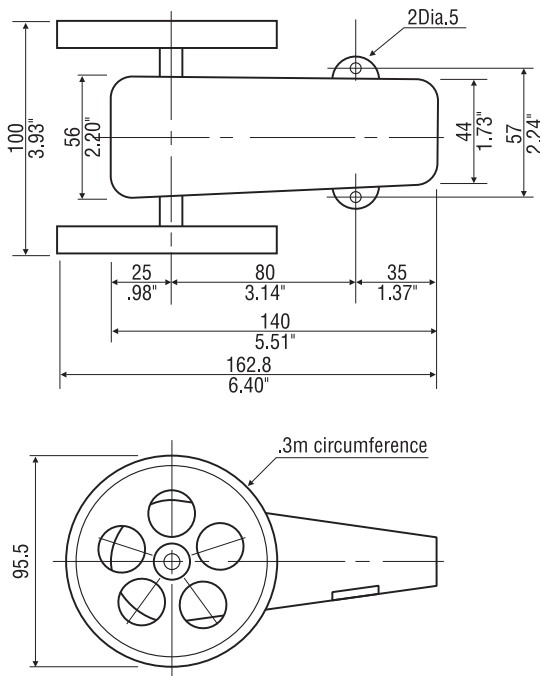
The HSS digital surface speed meter consists of an industrial grade heavy-duty surface speed encoder with wheels and a digital indicator. The system delivers repeatable and accurate measurements of surface speed. The dual, anti-slip rubber rimmed wheels are perfect for measuring paper, plastic, laminates and other smooth finish materials. Comes with a four foot cable.



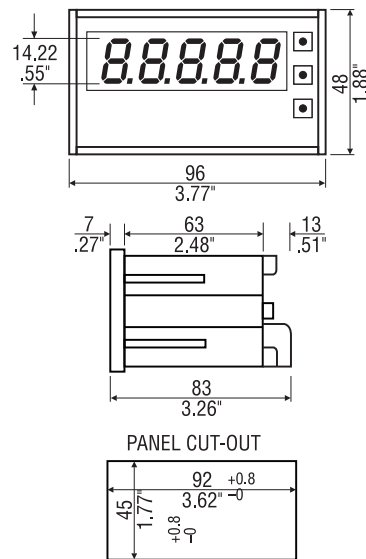
Specifications		Accuracy: ±0.3%		
Model		Unit	Speed Range	Resolution
110/220 VAC	24 VDC			
HSS-F	HSSD-F	ft/min	1.0 ~ 400.0	0.1
HSS-IN	HSSD-IN	inch/min	12 ~ 4700	1
HSS-Y	HSSD-Y	yard/min	0.3 ~ 110.1	0.1
HSS-M	HSSD-M	m/min	0.3 ~ 120.0	0.1
HSS-CM	HSSD-CM	cm/min	30 ~ 12000	1

DIMENSIONS

Surface Speed Encoder



Digital Indicator



Specifications subject to change without notice.