

Current Transducers: 0-10VDC Analog Output

H723xC Series & H923

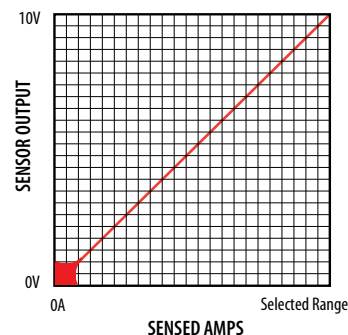



SPECIFICATIONS

Sensor Power	Induced from monitored current
Insulation Class	300VAC RMS
Frequency Range	50/60 Hz
Temperature Range	-15° to 60°C (5° to 140°F)
Humidity Range	10-90% RH, non-condensing
Accuracy	±2% F.S. from 10% to 100% (selected range)
Response Time	2 sec.
Terminal Block Wire Size	24-14 AWG (0.2 to 2.1 mm ²)
Terminal Block Torque	3.5 to 4.4 in-lbs (0.4 to 0.5 N-m)
Agency Approvals	CE: EN61010-1, CAT III, pollution degree 2, basic insulation

EXAMPLE LINEAR OUTPUT

Scale software as shown



Load Trending With 0-10 VDC Output

FEATURES

- Self-powered analog current transducer 0-10VDC output
- Self-gripping, split-core design for fast retrofit installation...no need to remove conductor (H923)
- No jumpers on unit...reduces installation error
- No external power required for sensor
- Factory calibrated field-selectable ranges for high resolution and installation ease
- One device does the work of three...less to stock
- Removable mounting bracket for installation flexibility
- Bracket on H923 can be installed in three different configurations...added flexibility
- 100% solid state...no moving parts to fail
- 5-year warranty

DESCRIPTION

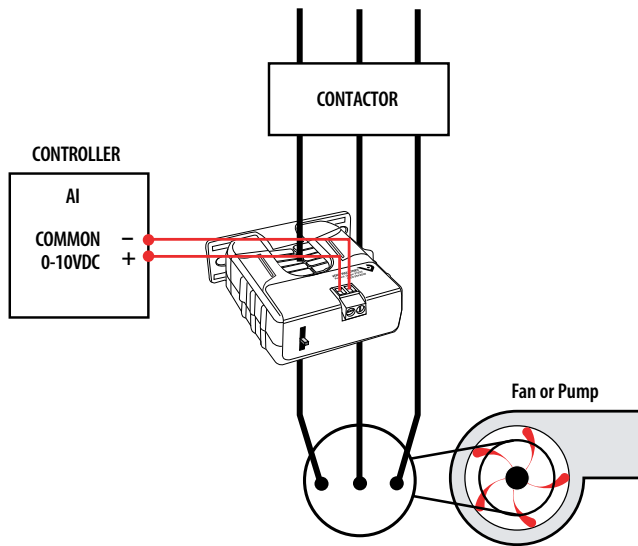
The **Hawkeye 723LC, 723HC, and H923 Series** provide accurate load trending information with a proportional 0-10VDC output signal. Devices offer three amperage range options, with slide-switch selection for easy field adjustment – no need for jumpers.

APPLICATIONS

- Load trending
- Motor control
- Fan/pump status

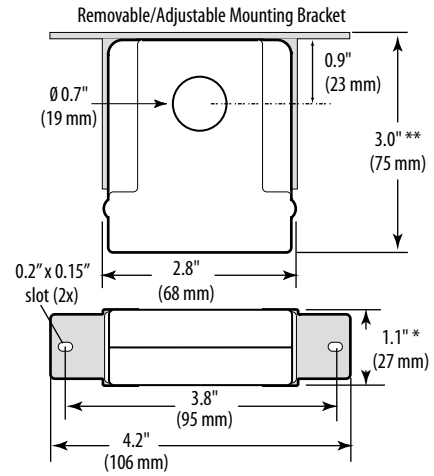
WIRING DIAGRAMS

Monitoring Fan /Pump Motors for Positive Proof of Flow

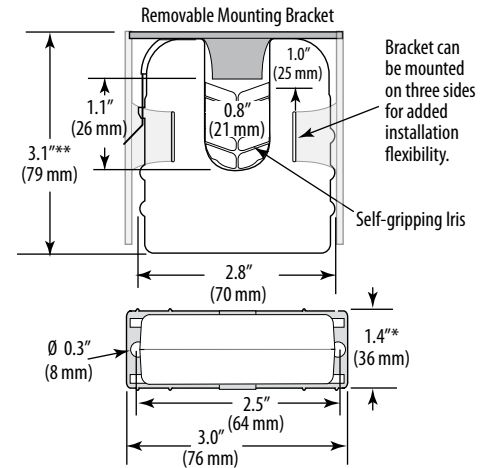


DIMENSIONAL DRAWINGS

H723LC/H723HC



H923



* Terminal block may extend up to 1/8" over the height dimensions shown.
 ** Slide switch may extend up to 1/4" over the height dimensions shown.

ORDERING INFORMATION



MODEL	AMPERAGE RANGE	SENSOR OUTPUT	HOUSING	CE
H723LC	0 - 10/20/40A	0 - 10VDC	Solid-core	●
H723HC	0 - 50/100/200A		Solid-core	●
H923	0 - 20/100/150A		Split-core	●

ACCESSORIES

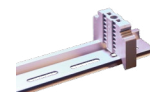
DIN Rail Clip Set (AH01)
 DIN Rail (AV01) and DIN Stop Clip (AV02)



AH01



AV01



AV02