

# Current Transducers: 4-20mA Analog Output

## H721xC Series & H921



H721HC



H921



### SPECIFICATIONS

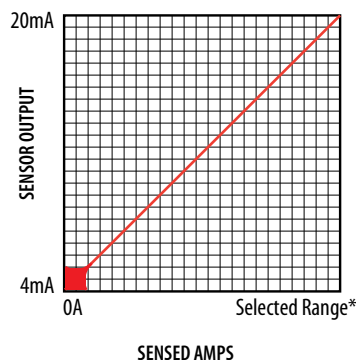


|                                 |  |
|---------------------------------|--|
| <b>Sensor Power</b>             | 30mA (max)@12-30VDC  |
| <b>Insulation Class</b>         | 600VAC RMS (UL), 300VAC RMS (CE)   |
| <b>Frequency</b>                | 50/60 Hz   |
| <b>Temperature Range</b>        | -15° to 60°C (5° to 140°F)   |
| <b>Humidity Range</b>           | 10-90% RH non-condensing   |
| <b>Accuracy</b>                 | ±2% F.S. from 10% to 100% of selected range, but not less than ±0.4A                     |
| <b>Response Time</b>            | 2 sec.   |
| <b>Terminal Block Wire Size</b> | 24-14 AWG (0.2 to 2.1 mm <sup>2</sup> )  |
| <b>Terminal Block Torque</b>    | 3.5 to 4.4 in-lbs (0.4 to 0.5 N-m)   |
| <b>Agency Approvals</b>         | UL 508 open device listing; CE: EN61010-1, CAT III, pollution degree 2, basic insulation |



### EXAMPLE LINEAR OUTPUT

Scale software as shown



\*Factory calibrated ranges selected with the amperage range switch

## Load Trending With 4-20mA Output

### FEATURES

- Power the sensor, and receive the signal with only two wires... lower cabling and commissioning costs than with traditional 3-wire sensors
- Self-gripping, split-core design for fast retrofit installation...no need to remove conductor (H921)
- Economical solid-core features adjustable bracket for easy alignment (H721 Series)
- Factory calibrated switch-selectable ranges for high resolution and installation ease
- Three field-selectable ranges per unit...fewer versions to choose from, stock, and install
- Removable mounting bracket for installation flexibility
- Bracket on H921 can be installed in three different configurations...added flexibility
- 100% solid state, no moving parts to fail
- 5-year warranty

### DESCRIPTION

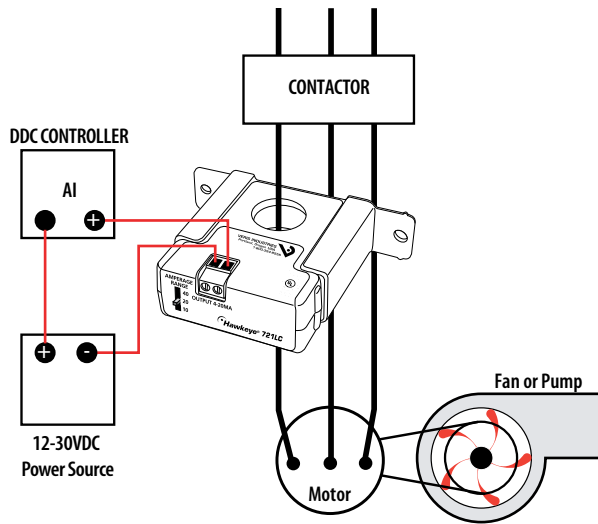
The **Hawkeye 721LC, 721HC, and 921** provide accurate load trending information with a proportional 4-20mA output signal. Preset slide-switches provide easy field setup of sensed amperage range with no need for jumpers.

### APPLICATIONS

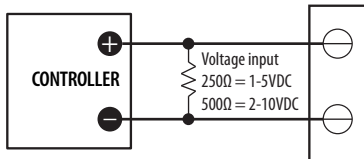
- Load trending
- Motor control
- Fan/Pump Status

WIRING DIAGRAMS

Monitoring Fan /Pump Motors for Positive Proof of Flow

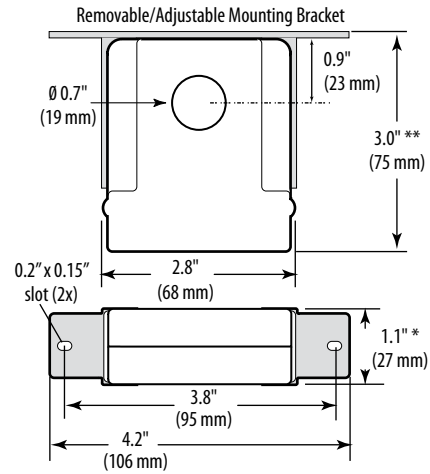


Voltage Output

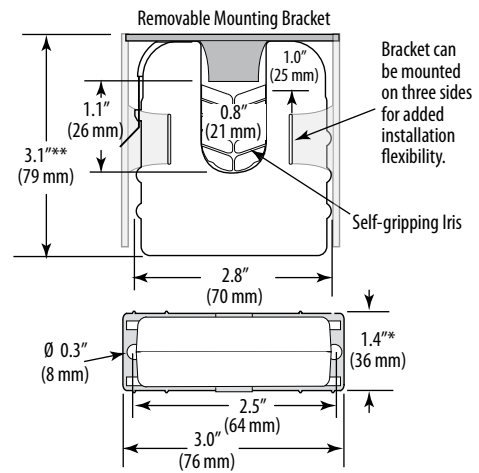


DIMENSIONAL DRAWINGS

H721LC/H721HC



H921



\* Terminal block may extend up to 1/8" over the height dimensions shown.  
\*\* Slide switch may extend up to 1/4" over the height dimensions shown.

ORDERING INFORMATION



| MODEL  | AMPERAGE RANGE  | SENSOR OUTPUT | HOUSING    | UL  | CE |
|--------|-----------------|---------------|------------|-----|----|
| H721LC | 0 - 10/20/40A   | 4-20mA DC     | Solid-Core | ●   | ●  |
| H721HC | 0 - 50/100/200A |               | Solid-Core | ●   | ●  |
| H921   | 0 - 30/60/120A  |               | Split-Core | ● 1 | ●  |

1 Listed for use on 75°C insulated conductors.  
Note: For 10-80 Hz applications, see the H720 VFD sensor.

ACCESSORIES

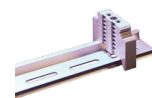
DIN Rail Clip Set (AH01)  
DIN Rail (AV01) and DIN Stop Clip (AV02)



AH01



AV01



AV02