

## IN USE

### +ve Safety™

+ve Safety™ (Positive Safety) provides positive confirmation of detector status prior to deployment in the field or on return from site. The front mount tri-colour LED gives the Safety Manager or Supervisor unrivalled visibility of the status of the Operator's detector.



### Charging

- To charge, insert the charger connected into the socket at the back of the Gas-Pro.
- The display will show the battery filling and RED LED's will flash red until the battery is full, when they will flash green.

### Gas Testing

Crowcon recommends regular gas tests (also known as bump tests) to confirm sensor operation. A number of flexible and simple solutions are available:

- Q-Test** Quick and simple in-filed gas test and calibration solution.
- I-Test** Intelligent wall or desk mount, powered data management solution.
- S-Test** Service and maintenance solution for up to 5 detectors.

If configured to do so, test and calibration can also be completed manually by using the non-pumped flow plate and following prompts on the screen. If a test should fail or calibration is due and the Gas-Pro has been manually zeroed in the last 15 minutes a calibration can also be completed.

See the Gas-Pro User and Operator manual for details.

### Safety Information

- Gas-Pro is a hazardous area certified gas detector and as such must be operated and maintained in strict accordance with the instructions, warnings and label information.
- Read and understand all instructions in the operation section of "Gas-Pro User & Operator Manual", P/N M07995 prior to use.
- The Gas-Pro re-chargeable battery must only be charged in non-hazardous (safe) areas.
- Gas-Pro is certified for use in ambient temperatures in the range -20°C to +55°C (-4 to 131°F).

### Certification Information

**IECEX:** Ex d ia IIC T4 Gb Tamb -20°C to +55°C  
IECEX ULD 11.0004X

**ATEX:**  II 2 G Ex d ia IIC T4 Gb Tamb -20°C to +55°C  
DEMKO 11 ATEX 1031772X

**UL:** Gas detector use in hazardous locations Class 1 Division 1, Groups A, B, C and D only as to intrinsic safety.

### Contact Crowcon:

**UK:** 172 Brook Drive, Milton Park, Abingdon, Oxfordshire OX14 4SD  
**Tel:** +44 (0) 1235 557700 **Email:** sales@crowcon.com

**US:** 1455 Jamike Ave, Suite 100, Erlanger, KY 41018  
**Tel:** +1 859 957 1039 **Email:** salesusa@crowcon.com

**NL:** Vlambloem 129, 3068JG, Rotterdam, Netherlands  
**Tel:** +31 10 421 1232 **Email:** eu@crowcon.com

**SG:** Block 194 Pandan Loop, #06-20 Pantech Industrial Complex, Singapore, 128383  
**Tel:** +65 6745 2936 **Email:** sales@crowcon.com.sg

**CN:** Unit 316, Area 1, Tower B, Chuangxin Building, 12 Hongda North Road, Beijing Economic & Technological Development Area, Beijing, China 100176  
**Tel:** +86 10 6787 0335 **Email:** saleschina@crowcon.com

[www.crowcon.com](http://www.crowcon.com)

1.800.561.8187

  
[www.itm.com](http://www.itm.com)

[information@itm.com](mailto:information@itm.com)

## Gas-Pro Quick Start Guide



## Gas-Pro Multi-Gas Confined Space Monitor



M07998/Eng  
Issue 2 Jan 2015

  
Detecting Gas Saving Lives

## SET-UP

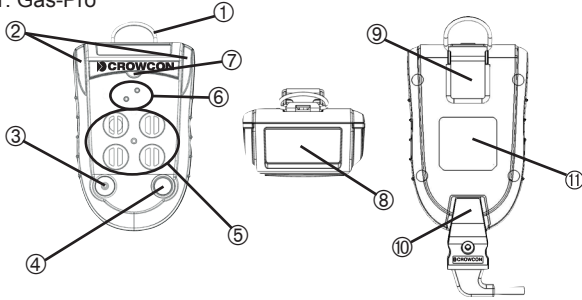
### Prior to use

Before use, the Gas-Pro should always be checked for any signs of physical damage.

**Read and understand the User and Operator manual prior to use.**

### Gas-Pro orientation

Figure 1: Gas-Pro

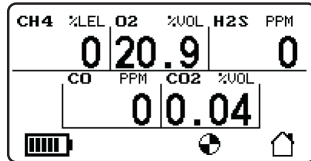


- ① D-ring
- ② Alarm bars
- ③ Sounder
- ④ Operator button
- ⑤ Sensor apertures
- ⑥ Pump inlet/outlet
- ⑦ +ve Safety™ indicator
- ⑧ Dual colour LCD display
- ⑨ Alligator clip
- ⑩ Charging cable
- ⑪ Certification label

## DISPLAY

### Home Screen

- Gas-Pro simultaneously displays up to 5 gases.
- The dual colour backlight aids recognition of alarm events.
- The home icon will invert to show normal operation.
- The backlight is green and changes to red during an alarm highlighting the gas in alarm.



## OPERATION

### Switching On/Off

- In clean air turn on the Gas-Pro by holding down the operator button for 3 audible blips. The Gas-Pro will warm up, going through a series of automatic processes.
- To turn off, press and hold the operator button. During the 4 second countdown hold the button down until the countdown has finished.



### Quick View

- A momentary press of the operator button allows the user to see the gas type and unit, battery level, user and +ve Safety™ status.

### Alarms

- Gas-Pro offers audible, visual and vibrate alarms as standard.
- Each gas has 2 instantaneous alarms and toxics also have TWA alarms.
- When in alarm the display backlight will change from green to red and highlight the gas in alarm.
- When the Gas-Pro warns of a low battery, the sounder will emit an audible double blip every 5 seconds and the +ve Safety™ LED will go red. This means the battery has at least 30 minutes of battery life remaining. After 30 minutes the Gas-Pro will enter full alarm state and the battery icon will flash empty as shut down is imminent.

### Backlight

- The backlight is configurable but set as standard to come on at the press of the operator button or during alarm.

### Pump

- If the internal pump option has been chosen, the pump is activated by attaching the pumped flow plate.
- Ensure the gasket is clean and undamaged prior to placement.
- The pump test will activate every time the flow plate is attached the user will be prompted to cover the inlet to ensure a tight seal. Gas-Pro will indicate a pass or fail, if failed the flow plate should be removed, checked and reapplied.

## USER MENU

- Access the user menu by double clicking the operator button, then scroll through the menu using single clicks. Once the correct function is highlighted, double click to choose.



### Zero

- During start-up the operator has the option to perform an autozero, or leave the countdown if an autozero is not required/possible.
- A manual zero can be performed at any time following start up and is needed less than 15 minutes prior to running a manual calibration.



### Time Weighted Average (TWA)

- This function allows the 8 hour TWA to be reviewed.



### Pre-Entry Check (PEC)

- This function is intended for sampling air of unknown quality before gaining access to it (e.g. going under ground through a manhole cover) thereby avoiding unnecessary exposure.



### Peak Review

- This function allows the highest level of each gas detected to be reviewed during the last 8 hours, 12 hours or since turned on.



### Settings



**User setting:** Up to 5 different users can be loaded into Gas-Pro using the Portables-Pro PC application.



**Pump setting:** This function, which is only present if the Gas-Pro has an internal pump, allows authorised users to turn the pump on or off.



**Sounder volume:** This function allows authorised users to change the sounder volume between 2 levels.