

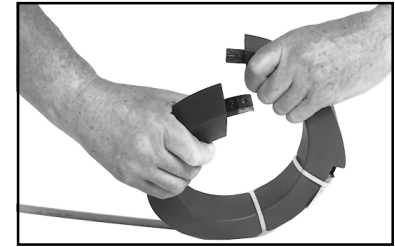
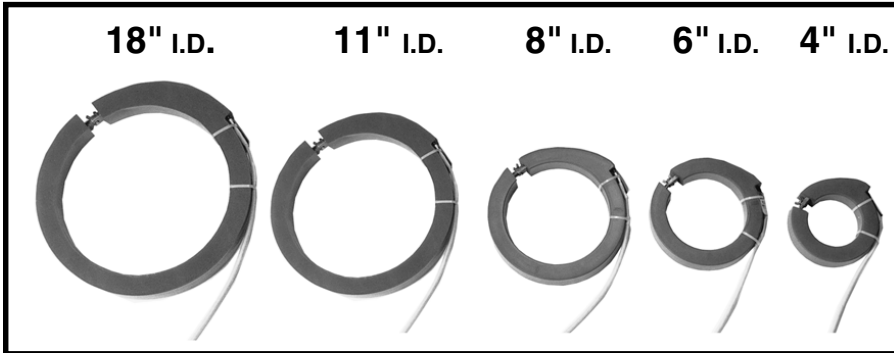
# CURRENT TRANSFORMERS

## SPLIT CORE CURRENT TRANSFORMERS

MODEL FCL

CURRENT TRANSFORMERS

### FLEX-CORE® Circular Models



**Note:**  
Open split-core with a twisting motion only.

### FEATURES

This split-core current transformer was designed for easy installation on large bus or wire conductors in order to make electrical load surveys or for continuous monitoring of current.

### SPECIFICATIONS

#### Construction

Directional silicon steel is used for the flexible core. Secondary windings are of copper. Unit is encapsulated in silicone rubber which protects against moisture, dirt, oil and corona.

**Insulation Level** ..... 0.72KV, BIL 10KV Full Wave

**Frequency** ..... 50-400Hz

**Thermal Factor** ..... 1.25 at 30°C., 1.0 at 55°C.

**Operating Temp Range** ..... -45°C to +55°C

**Altitude** ..... Up to 4000 Meters

<b>ACCURACY</b> .....	200:5 thru 300:5 .....	4%
	400:5 thru 500:5 .....	3%
	600:5 thru 800:5 .....	2%
	1000:5 thru 6000:5 .....	1%

**Secondary Leads** ..... 12 Ft. with spade connectors  
Custom lead lengths are available.

**Color** ..... Transformer (red) - Leads (yellow)

Remains flexible from -45° to +200° C.

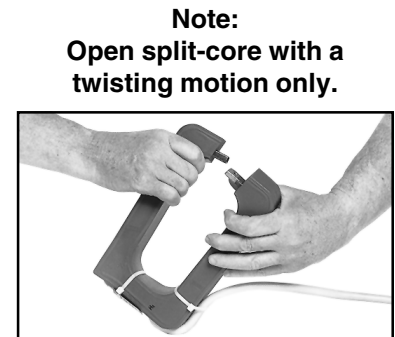
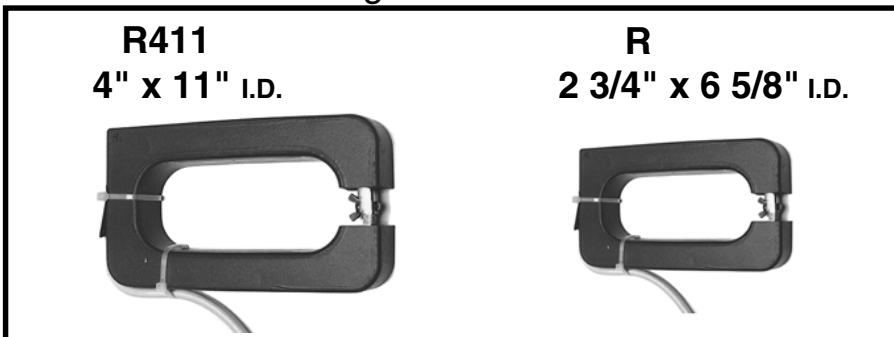
Meets IEC 60044-1 Standards

### APPLICATIONS

For use with any 5 Amp Indicating or Recording Ammeter or Amp or Watt Transducer. Other applications include:

- Watt Transducer
- Demand Meter
- Energy Management Systems
- Current Transducer
- Power Factor Meter
- KWH Meter
- Current Sensing Relays

### FLEX-CORE® Rectangular Models



**Note:**  
Open split-core with a twisting motion only.

- Most Ratios Stocked
- Seven Opening Sizes
- Other Ratios Available
- 1 or 5 Amp Secondaries
- 0-.333V or 1.0V Secondaries
- Custom Inserts Available



### ORDERING INFORMATION

FCL X X X X / X - X

RATIO

I.D.

-4 -6 -8 -11 -18 -R -R411

Example: 1000A Split-Core with 6" Inside Diameter

FCL1000/5-6

# CURRENT TRANSFORMERS

## SPLIT CORE CURRENT TRANSFORMERS

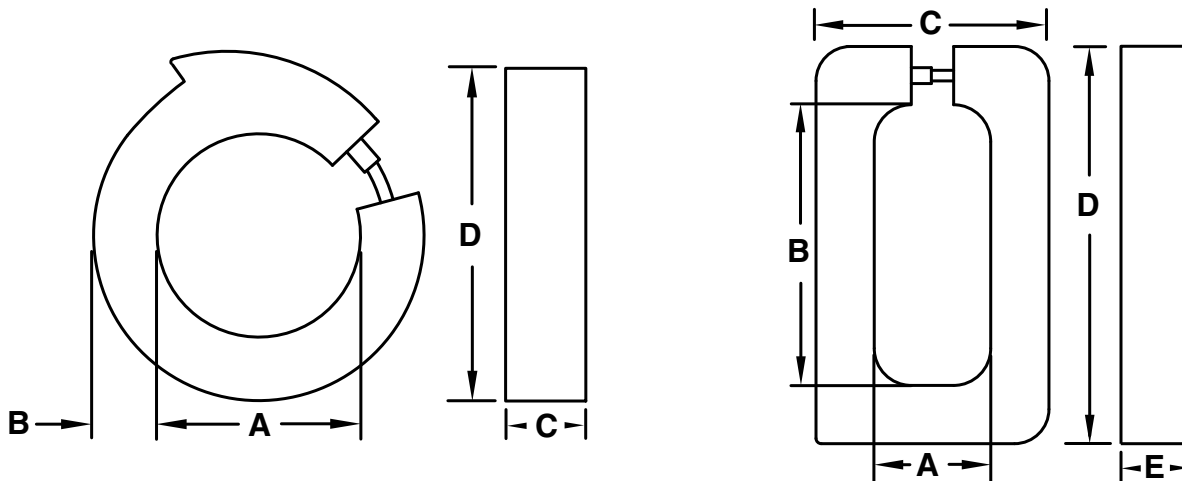
MODEL FCL

CURRENT TRANSFORMERS

CURRENT RATIO	INSIDE DIAMETER						BURDEN CAPACITY	ACCURACY	
	ROUND					RECTANGLE			
	4"	6"	8"	11"	18"	-R			-R411
200/5	X	-	-	-	-	-	-	2VA	4%
250/5	X	-	-	-	-	-	-	2VA	4%
300/5	X	X	-	-	-	-	-	2VA	4%
400/5	X	X	-	-	-	X	-	2VA	3%
500/5	X	X	-	-	-	X	-	3VA	3%
600/5	X	X	-	-	-	X	-	5VA	2%
800/5	X	X	-	-	-	X	-	5VA	2%
1000/5	X	X	X	-	-	X	-	5VA	1%
1200/5	X	X	X	-	-	X	-	5VA	1%
1500/5	X	X	X	X	-	X	X	15VA	1%
1600/5	X	X	X	X	-	X	X	15VA	1%
2000/5	X	X	X	X	X	X	X	25VA	1%
2400/5	-	X	X	X	X	X	X	30VA	1%
2500/5	-	X	X	X	X	X	X	35VA	1%
3000/5	-	X	X	X	X	X	X	45VA	1%
3500/5	-	X	X	X	X	X	X	45VA	1%
4000/5	-	X	X	X	X	X	X	45VA	1%
5000/5	-	-	X	X	X	-	X	45VA	1%
6000/5	-	-	-	X	X	-	X	45VA	1%

AVERAGE WEIGHT	4"	6"	8"	11"	18"	(R) 2 3/4"x6 5/8"	(R411) 4"x11"
	3.5 lbs.	4.25 lbs.	5.5 lbs.	7.5 lbs.	17 lbs.	4.25 lbs.	6.25 lbs.

### DIMENSIONS



INSIDE DIAMETER	CIRCULAR				MODEL
A	B	C	D		
4	1 1/4	1 1/2	6 1/2		-4
6	1 1/4	1 1/2	8 1/2		-6
8	1 1/4	1 1/2	10 1/2		-8
11	1 1/4	1 1/2	13 1/2		-11
18	1 1/4	1 1/2	20 1/2		-18

INSIDE DIAMETER	RECTANGULAR					MODEL
A	B	C	D	E		
2 3/4	6 5/8	5 1/2	9 3/8	1 1/2		-R
4	11	6 1/2	13 3/8	1 1/2		-R411

All Dimensions In Inches  
 Black Wire = X1 (S1)  
 White Wire = X2 (S2)