

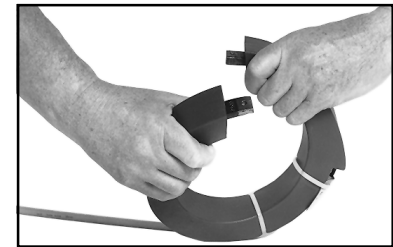
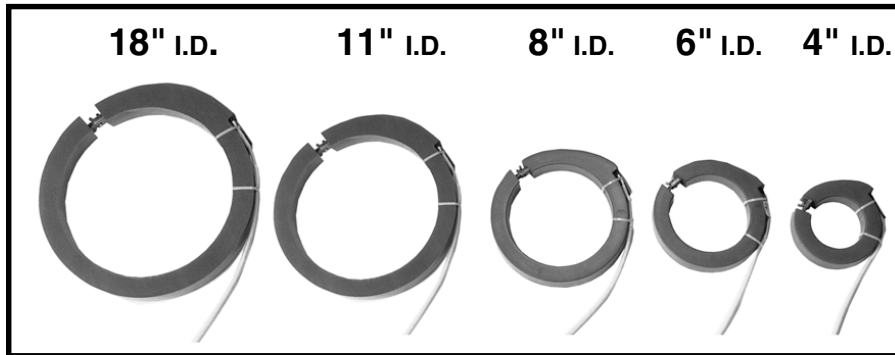
CURRENT TRANSFORMERS

SPLIT CORE CURRENT TRANSFORMERS

MODEL FCL

CURRENT TRANSFORMERS

FLEX-CORE® Circular Models



Note:
Open split-core with a twisting motion only.

FEATURES

This split-core current transformer was designed for easy installation on large bus or wire conductors in order to make electrical load surveys or for continuous monitoring of current.

SPECIFICATIONS

Construction

Directional silicon steel is used for the flexible core. Secondary windings are of copper. Unit is encapsulated in silicone rubber which protects against moisture, dirt, oil and corona.

Insulation Level 0.72KV, BIL 10KV Full Wave

Frequency 50-400Hz

Thermal Factor 1.25 at 30°C., 1.0 at 55°C.

Operating Temp Range -45°C to +55°C

Altitude Up to 4000 Meters

ACCURACY	200:5 thru 300:5	4%
	400:5 thru 500:5	3%
	600:5 thru 800:5	2%
	1000:5 thru 6000:5	1%

Secondary Leads 12 Ft. with spade connectors
Custom lead lengths are available.

Color Transformer (red) - Leads (yellow)

Remains flexible from -45° to +200° C.

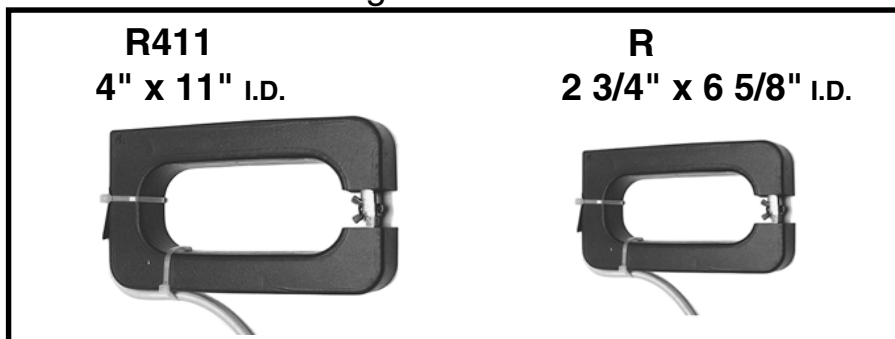
Meets IEC 60044-1 Standards

APPLICATIONS

For use with any 5 Amp Indicating or Recording Ammeter or Amp or Watt Transducer. Other applications include:

- Watt Transducer
- Demand Meter
- Energy Management Systems
- Current Transducer
- Power Factor Meter
- KWH Meter
- Current Sensing Relays

FLEX-CORE® Rectangular Models



Note:
Open split-core with a twisting motion only.

- Most Ratios Stocked
- Seven Opening Sizes
- Other Ratios Available
- 1 or 5 Amp Secondaries
- 0-.333V or 1.0V Secondaries
- Custom Inserts Available



ORDERING INFORMATION

FCL X X X X / X - X
 RATIO ————
 I.D. ————
 -4 -6 -8 -11 -18 -R -R411
 Example: 1000A Split-Core with
 6" Inside Diameter
FCL1000/5-6

CURRENT TRANSFORMERS

SPLIT CORE CURRENT TRANSFORMERS

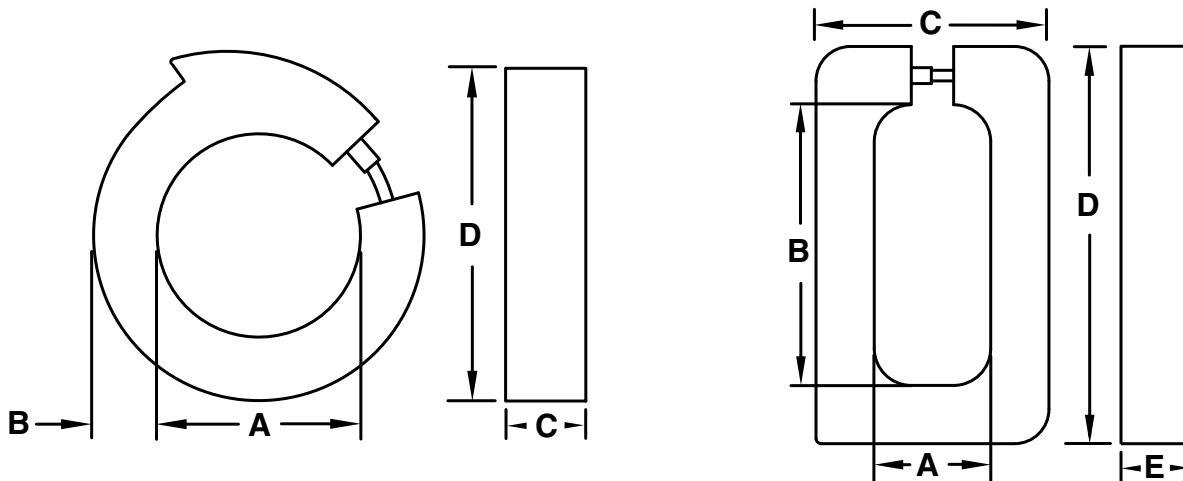
MODEL FCL

CURRENT TRANSFORMERS

CURRENT RATIO	INSIDE DIAMETER						BURDEN CAPACITY	ACCURACY	
	ROUND					RECTANGLE			
	4"	6"	8"	11"	18"	-R			-R411
200/5	X	-	-	-	-	-	-	2VA	4%
250/5	X	-	-	-	-	-	-	2VA	4%
300/5	X	X	-	-	-	-	-	2VA	4%
400/5	X	X	-	-	-	X	-	2VA	3%
500/5	X	X	-	-	-	X	-	3VA	3%
600/5	X	X	-	-	-	X	-	5VA	2%
800/5	X	X	-	-	-	X	-	5VA	2%
1000/5	X	X	X	-	-	X	-	5VA	1%
1200/5	X	X	X	-	-	X	-	5VA	1%
1500/5	X	X	X	X	-	X	X	15VA	1%
1600/5	X	X	X	X	-	X	X	15VA	1%
2000/5	X	X	X	X	X	X	X	25VA	1%
2400/5	-	X	X	X	X	X	X	30VA	1%
2500/5	-	X	X	X	X	X	X	35VA	1%
3000/5	-	X	X	X	X	X	X	45VA	1%
3500/5	-	X	X	X	X	X	X	45VA	1%
4000/5	-	X	X	X	X	X	X	45VA	1%
5000/5	-	-	X	X	X	-	X	45VA	1%
6000/5	-	-	-	X	X	-	X	45VA	1%

AVERAGE WEIGHT	4"	6"	8"	11"	18"	(R) 2 3/4"x6 5/8"	(R411) 4"x11"
	3.5 lbs.	4.25 lbs.	5.5 lbs.	7.5 lbs.	17 lbs.	4.25 lbs.	6.25 lbs.

DIMENSIONS



INSIDE DIAMETER	CIRCULAR				MODEL
A	B	C	D		
4	1 1/4	1 1/2	6 1/2	-4	
6	1 1/4	1 1/2	8 1/2	-6	
8	1 1/4	1 1/2	10 1/2	-8	
11	1 1/4	1 1/2	13 1/2	-11	
18	1 1/4	1 1/2	20 1/2	-18	

INSIDE DIAMETER	RECTANGULAR					MODEL
A	B	C	D	E		
2 3/4	6 5/8	5 1/2	9 3/8	1 1/2	-R	
4	11	6 1/2	13 3/8	1 1/2	-R411	

All Dimensions In Inches
 Black Wire = X1 (S1)
 White Wire = X2 (S2)