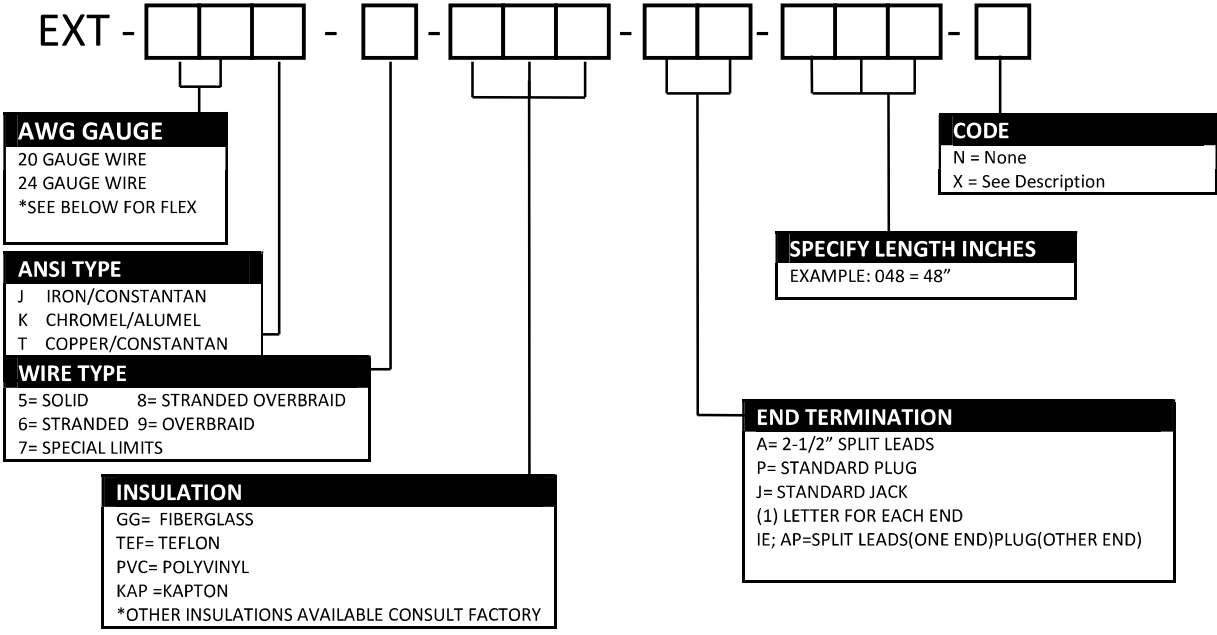


EXTENSION STYLE

HOW TO CONSTRUCT A PART NUMBER



*FOR FLEX ARMOR STYLE USE FC IN PLACE OF GAUGE
 I.E. FCJ-6-GG = 'J', STRANDED, FIBERGLASS IN FLEX

