

WEISS INSTRUMENTS



Vari-angle® Digital Thermometers

Featuring the Latest Technology for HVAC Applications

- * Environmentally Friendly - Mercury Free
- * Direct Replacement for Industrial Glass and Bimetal Thermometers
- * Stock One Item for Chilled, Condensor and Hot Water Applications
- * Light Powered - No Batteries
- * F/C Switchable
- * Fast Response
- * Economical



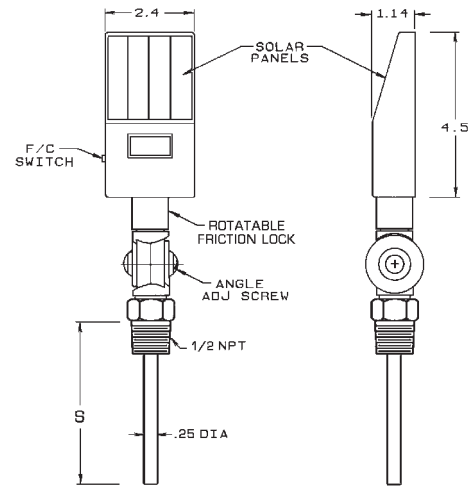
The Weiss patented,* Digital Vari-angle® Thermometer maintains the strict requirements for thermometers in hydronic applications in that they're self-powered and within 1% accuracy. This reliable series of digital thermometers offers the added feature of stem assemblies for direct replacement of mercury-in-glass types where environmental concerns exist. Whether on new installations or replacements, our Vari-angle Digital Thermometers include the same level of quality that the industry associates with the Vari-angle trademark and all Weiss Products.

*Patent No. 5,196,781 ©Vari-angle is a registered trademark of Weiss Instruments, Inc.

SPECIFICATIONS

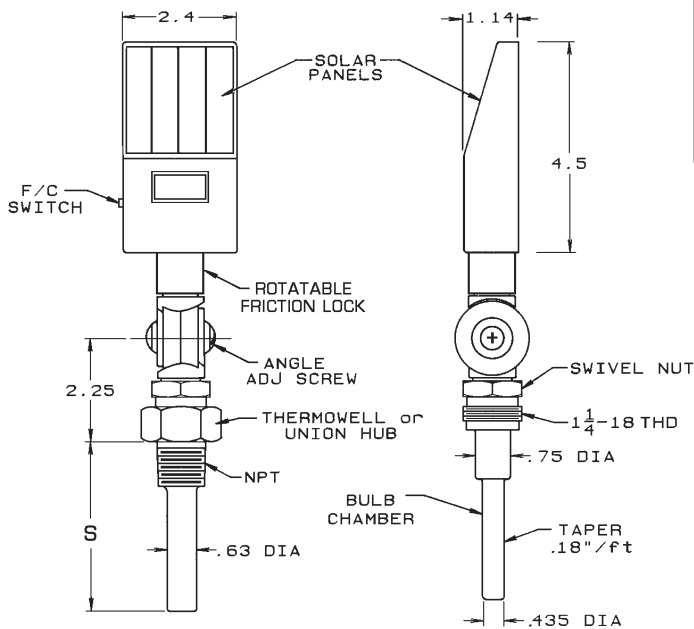
CASE	Hi-impact ABS
RANGE with F/C Switch	-50/300°F -45/150°C
DISPLAY	1/2" LCD digits, wide ambient formula
ACCURACY	1% of reading or 1° whichever is greater
RESOLUTION	1/10° between -19.9/199.9°F (-28/93°C)
RECALIBRATION	Through case potentiometer adjustment
LUX RATING	10 Lux (one foot-candle)
UPDATE	10 seconds
AMBIENT OPERATING	-30/140°F (-35/60°C)
AMBIENT TEMP ERROR	Zero
HUMIDITY	100%
SENSOR	Glass passivated thermistor - NTC

STEM ASSEMBLIES	INDUSTRIAL GLASS	BIMETALLIC
	Full conformance with Fed Spec GG-T-321D. Fully interchangeable with Industrial Glass Thermometers.	Full conformance with ASME B40.3 - 1990. Fully interchangeable with Bimetallic Dial Thermometers.



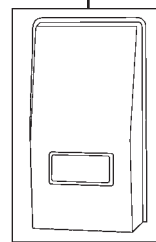
BIMETAL DIAL THERMOMETER STEM ASSEMBLY

CATALOG NO.	S Dim.	IDN
DVBM25	2 1/2"	62120
DVBM4	4"	62130
DVBM6	6"	62140
DVBM9	9"	62150

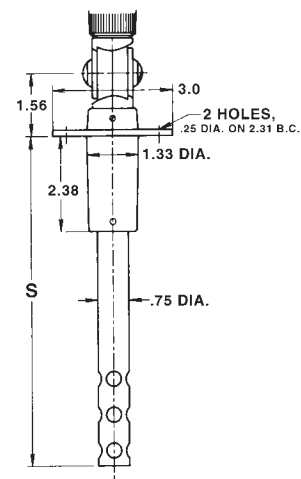


INDUSTRIAL GLASS THERMOMETER STEM ASSEMBLY

CATALOG NO. Without Socket	STEM	S Dim.	IDN
DVU35	3 1/2"	3 1/2"	62100
DVU6	6"	5"	62110



CATALOG NO.	DESCRIPTION	IDN
DVC-4	Outdoor Waterproof Cover (4 pcs per pack)	62410



AIR DUCT STEM ASSEMBLY

CATALOG NO.	S Dim.	IDN
DVD35	3 1/2"	62300
DVD6	6"	62310
DVD9	9"	62320
DVD12	12"	62330

WEISS INSTRUMENTS

Vari-angle® Self-indicating Temperature Transmitter

Introducing the first "self-indicating" temperature transmitter that is light powered. Combining Weiss's patented mercury-free Solar Industrial Thermometer with a loop-powered 4 to 20mA transmitter results in a single unit that allows local reading and remote transmitting for HVAC systems, building automation or anywhere local and remote readings are required. Dual sensors offer independent operation for reliability and convenience. The DVUT requires one thermowell which saves time and money without sacrificing performance.



CASE	Hi-impact ABS
RANGE with F/C Switch	-50/300°F (-45/150°C)
DISPLAY	1/2" LCD digits, wide ambient formula
ACCURACY	1% of reading or 1° whichever is greater
RESOLUTION	1/10° between -19.9/199.9°F
RECALIBRATION	Through case potentiometer adjustment
LUX RATING	1 Lux (1 foot-candle)
UPDATE	10 seconds
AMBIENT OPERATING	-30/140°F (-35/60°C) & 100% HR
AMBIENT TEMP ERROR	Zero
HUMIDITY	100%
SENSOR	Thermistor based - NTC
STEM ASSEMBLIES	

INDUSTRIAL GLASS

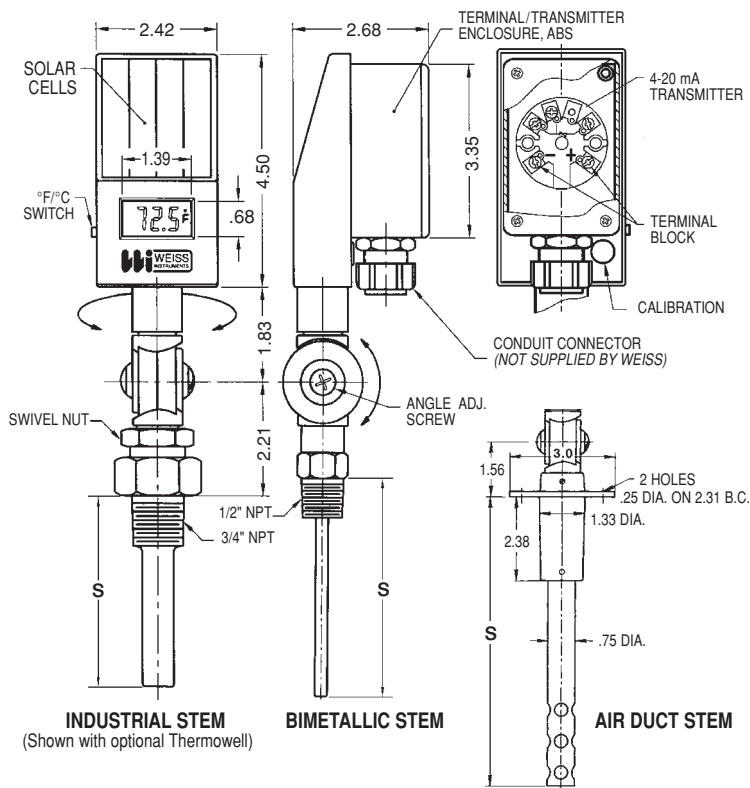
Full conformance with Fed Spec GG-T-321D. Fully interchangeable with Industrial Glass Thermometers

BIMETALLIC

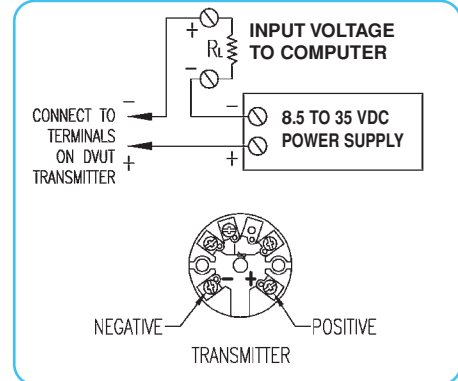
Full conformance with ASME B40.3 - 1990. Fully interchangeable with Bimetallic Dial Thermometers

TRANSMITTER

RANGE	-58/302°F (-50/150°C)
OUTPUT	4 to 20mA
OPERATING AMBIENT	-15/185°F (-25/85°C)
AMBIENT ERROR	.01% Span (°C)
SUPPLY	8 to 35VDC
MAX. LOAD RESISTANCE	775Ω with 24VDC Supply
ACCURACY	0.1% of Span
SENSOR	Platinum 100ΩRTD



Compatible with most Building Automation Systems with 4-20mA input.



For $R_L = 250\Omega$

V (VOLT)	I (mA)	°F	°C
1	4	-58	-50
5	20	+302	+150

INDUSTRIAL GLASS THERMOMETER STEM ASSEMBLY			
CATALOG NO.	STEM	S Dim.	IDN
DVUT35	3 1/2"	3 1/2"	62400
DVUT6	6"	5"	62401
BIMETAL DIAL THERMOMETER STEM ASSEMBLY			
CATALOG NO.	S Dim.	IDN	
DVBMT25	2 1/2"	62402	
DVBMT4	4"	62403	
DVBMT6	6"	62404	
AIR DUCT STEM ASSEMBLY			
CATALOG NO.	S Dim.	IDN	
DVDT6	6"	62405	
DVDT9	9"	62406	
DVDT12	12"	62407	

