

CWE2 & CWV2 SERIES

Economy and Value Wall Mount CO₂ Sensors



The CWE2 and CWV2 Series of air quality sensors for living space are for use with BAS controllers designed to accept 4 to 20mA, 0 to 5 Vdc or 0 to 10 Vdc outputs. These sensors measure CO₂ levels using a dual-beam, non-dispersive infrared (NDIR) technology.

The CWE2 Series Economy sensor has an accuracy of ± 30 ppm $\pm 3\%$ of measured value, features 2-wire 4 to 20mA and 3-wire voltage outputs, and is available with optional temperature output.

The CWV2 Value sensor with an accuracy of ± 40 ppm $\pm 5.5\%$ of measured value, is ideal for bid-spec applications.

SPECIFICATIONS

OPERATING ENVIRONMENT

Input Power	Class 2; 20 to 30 Vdc, 24 Vac, 50 to 60 Hz
Max. Current	CWE2: 20 mA CWV2: 45 mA
Analog Output	Selectable 4 to 20 mA, 0 to 5 V, 0 to 10 V
Operating Temperature Range	0 to 50 °C (32 to 122 °F)
Operating Humidity Range	0 to 95% RH non-condensing
Housing material	High-impact ABS plastic
Terminal Block Torque	0.5 to 0.6 N-m (0.37 to 0.44 in-lbf)

CO₂ TRANSMITTER

Sensor Type	Dual-beam, non-dispersive infrared (NDIR), diffusion sampling
Output Range	0 to 2000 ppm
Accuracy	CWE2: ± 30 ppm $\pm 3\%$ of measured value CWV2: ± 40 ppm $\pm 5.5\%$ of measured value
Repeatability	CWE2: ± 20 ppm $\pm 1\%$ of measured value CWV2: ± 30 ppm $\pm 4.5\%$ of measured value
Response Time	≤ 75 seconds for 90 degree step change
Startup Time	CWE2: ≤ 20 seconds
Max. Load Resistance*	CWE2: 100 Ω at 20 Vdc 250 Ω at 24 Vdc 500 Ω at 30 Vdc

WIRING TERMINALS

Terminal Blocks	Screw terminals, 18-24 AWG
Screw Terminal Torque	0.2 N-m (2.0 in-lbF) max.

WARRANTY

Limited Warranty	CWE2: 3 years CWV2: 1 year
------------------	-------------------------------

2-Wire 4-20 mA Output

CWE2 models offer 2-wire current outputs...lower installation costs

Easy to install

Large wiring terminals on baseplate and snap-on covers with security screw simplify installation and service

Field selectable

Field-selectable outputs for operation flexibility

APPLICATIONS

- Controlling ventilation in response to occupancy
- Office buildings, conference rooms, schools, retail stores, etc.
- Facilitating compliance with ASHRAE 62.1 standard for air quality

Economy Sensor

Competitively-priced sensors ideal for bid-spec

Self-calibrating

Innovative self-calibration algorithm...easy to maintain

COMPLIANCE INFORMATION

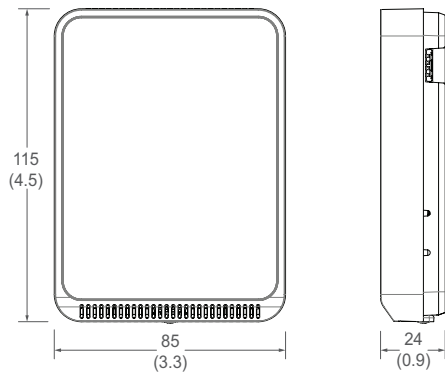
Agency Approvals	UL 916, European conformance CE: EN61000-6-2 EN61000-6-3 EN61000 Series - industrial immunity EN 61326-1 FCC Part 15 Class B, REACH, RoHS, RCM (Australia), ICES-003 (Canada)
------------------	--



*Applicable for CWE2 4-20 mA current mode only. If load parameters are not met, product will reset.

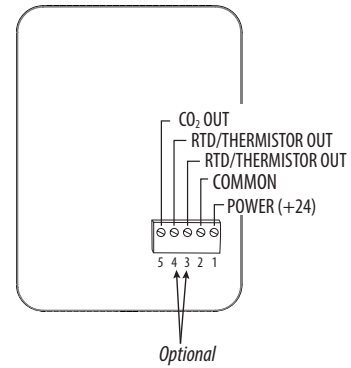


DIMENSIONAL DRAWING



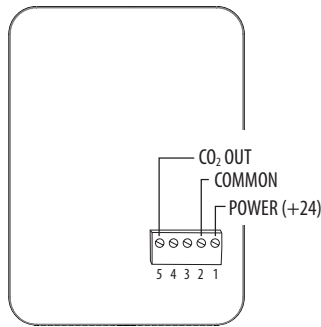
CWE2 VOLTAGE OUTPUT

Wiring Diagram



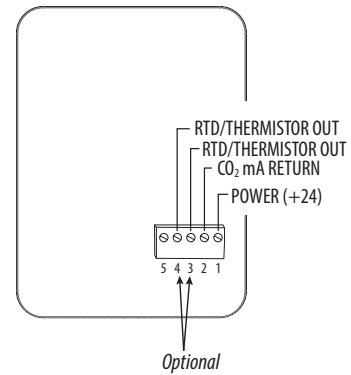
CWV2

Wiring Diagram



CWE2 CURRENT OUTPUT

Wiring Diagram



ORDERING INFORMATION

Temperature Option

CWE2

Blank = None
 C = 1000 PT RTD
 D = 10K T2 thermistor
 H = 10K T3 thermistor
 K = 10K curve G/11K shunt
 M = 20K NTC thermistor
 N = 1.8K TAC thermistor

Example:

CWV2 (No Options)

