

REED

Model CP-09

AC Current Adaptor

Instruction Manual



www.reedinstruments.com

.800.561.8187

www.itm.com

information@itm.com

Safety

To prevent electric shock or fire carefully read all safety information before operating this adaptor:

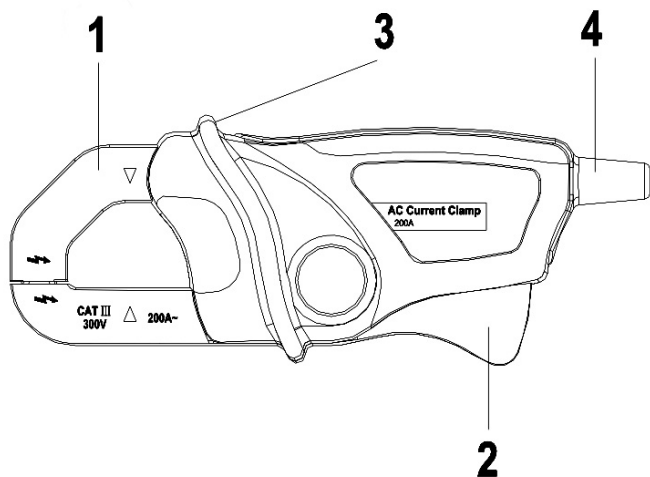
- Do not use this clamp on circuits rated higher than 600V in Installation Category II
- Use caution when clamping around uninsulated conductors or bus bars
- Do not use the clamp if it is cracked, damaged, or has a defective cable
- Check the magnetic mating surfaces of the clamp jaws; these should be free of dust, dirt, rust, and other foreign matter
- Keep your fingers off the clamp jaws
- Keep your fingers behind the safety barrier

Specifications

AC Current Range:	0-200A
AC Current Accuracy:	$\pm 2.0\% \pm 0.5A$
AC Current Output:	1mV/A
AC Current Sensitivity:	1A/mV AC
Output Impedance:	$< 1k\Omega$
AC Bandwidth:	40 to 400Hz
Jaw Opening:	0.62" (16mm)
Operating Conditions:	32 to 122°F (0 to 50°C), 45 to 90% RH
Dimensions:	4.37 x 1.96 x 1.29" (111 x 50 x 33mm)
Weight:	4.55lb (129g)

Instrument Description

1. Clamp Jaw
2. Clamp Trigger
3. Safety Barrier
4. Voltage Output Lead



Operating Instructions

- Connect the test leads to the voltage output lead of the Clamp Adaptor and input shock of the voltage measurement device
- Turn on the voltage measurement device and set it to AVC 200mV or 400mV
- Position the Clamp Adaptor perpendicular to and centered around the conductor
- Read the measured value on the voltage measurement device

For service (repairs or calibration) on this or any other REED product or information on other REED products, contact REED Instruments at info@reedinstruments.com