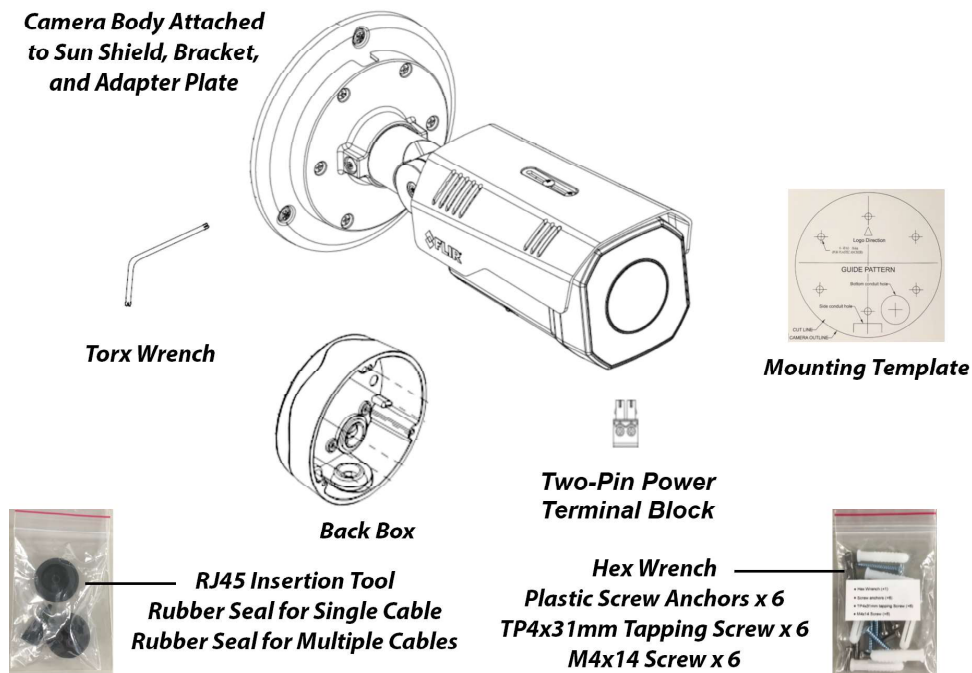




Quasar™ Bullet CB-6404/CB-6408 Quick Install Guide



1 Check Contents

Make sure all of the items above are included in the camera kit.

2 Select a Location

Select a suitable location to mount the camera. Make sure that when mounted, the camera's general orientation covers the required field of view.

For advice on positioning and orienting the camera, see the camera's installation and user guide.

Verify that the operating temperature range is between $-40^{\circ}\text{C} \sim 60^{\circ}\text{C}$ ($-40^{\circ} \sim 140^{\circ}\text{F}$) cold start, 0-95% relative humidity.

For the list of mounting accessories available for the camera, see the *FLIR Security Cameras - Accessory Guide*.

3 Configure the Camera

FLIR recommends configuring the camera before mounting and aiming it. It is also possible to configure the camera after mounting it, which could be more appropriate for certain installations.

CB-6404/CB-6408 QIG Rev 100

February 2021

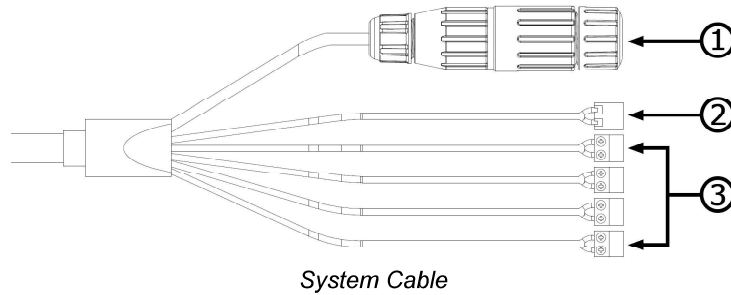
This document does not contain any export-controlled information.

3.1 Install the FLIR DNA tool

The FLIR Discovery Network Assistant (DNA) tool does not require a license to

computer running Windows on the same VLAN to which you will connect the camera. Then, unzip the file.

3.2 Connect the Camera



- a. Attach an Ethernet cable from the network switch to the RJ45 connector for a 10/100/1000 Mbps Ethernet and PoE+ (Power over Ethernet) IEEE 802.3at connection. Ethernet is required for streaming video and for configuring the camera.
- b. Connect the audio and alarm connectors, if needed.
- c. If using an external DC or AC power supply, connect its wires to the two-pin terminal block. Then, attach the terminal block to the system cable's two-pin power connector.

Connector		
1	Black	RJ-45
2	Black	12 VDC/24 VAC -
	Red	12 VDC/24 VAC+
3	Yellow	AUDIO IN+
	Orange	AUDIO IN-
	Purple	AUDIO OUT+
	Green	AUDIO OUT-
	Red	ALARM IN Signal
	Black	ALARM IN GND
	Brown	ALARM OUT Signal
	Blue	ALARM OUT COM

- e. (Optional) Insert a microSD card into the slot on the camera body. For information about accessing the microSD card slot and the camera's other internal interfaces, see the camera's installation and user guide.

3.3 Configure for Networking

You can configure the camera using version 2.3.0.20 or higher of the DNA tool, the camera's web page, or a supported VMS.

Task	DNA tool	Camera's web page
Discover camera IP address	•	
Configure IP address, mask, and gateway	•	•
Configure DNS settings, MTU, and Ethernet speed		•
Change user credentials	•	•

CB-6404/CB-6408 QIG Rev 100

February 2021

This document does not contain any export-controlled information.


Task	DNA tool	Camera's web page
Change video format	•	•
Configure more than one camera at the same time	•	

For information about using the camera's web page to configure the camera, see the camera's installation and user guide. For information about using a supported VMS to configure the camera, see the VMS documentation.

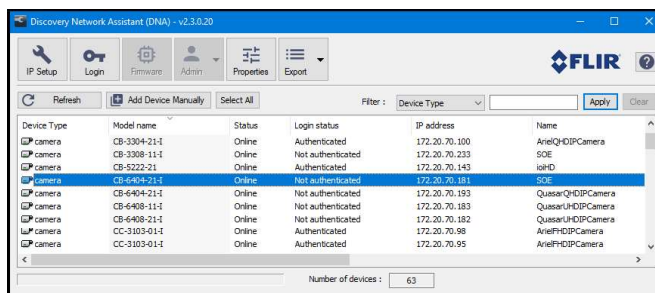
By default, DHCP is enabled on the camera and a DHCP server on the network assigns the camera an IP address. For example, if the camera is managed by FLIR's Horizon or Meridian VMS and the VMS is configured as a DHCP server, the VMS automatically assigns the camera an IP address.

If the camera is managed by FLIR's Latitude VMS or is on a network with static IP addressing, you can manually specify the camera's IP address using the DNA tool or the camera's web page. The camera's default IP address is 192.168.0.250.

To manually specify the camera's IP address using the DNA tool:

- Make sure the camera and the PC are on the same LAN segment.
- Run the DNA tool (DNA.exe) by double-clicking .

The Discover List appears, showing compatible devices on the LAN segment and their current IP addresses.



In the DNA Discover List, verify that the camera's status is *Online*.

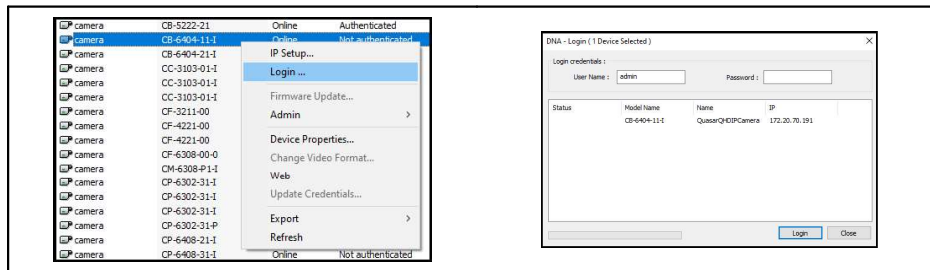
If this is the first time you are configuring the camera or if it is the first time after resetting the camera to its factory defaults, DNA automatically authenticates the camera with the default password for the camera's admin user (*admin*).

If the admin user password has been changed, you need to authenticate the camera.

In the DNA Discover List, right-click the camera and select **Login**.

In the **DNA - Login** window, type the password for the admin user. If you do not know the admin user password, contact the person who configured the camera's users and passwords.

Click **Login**, wait for  Ok status to appear, and then click **Close**.

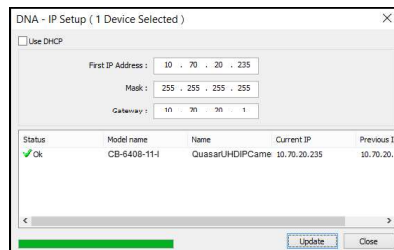


In the DNA Discover List, verify that the camera's status is *Authenticated*.

- c. Change the camera's IP address.
Right-click the camera and select **IP Setup**.

In the **DNA - IP Setup** window, clear *Use DHCP* and specify the camera's *IP address*. You can also specify the *Mask* (default: 255.255.255.0) and *Gateway*.

Then, click **Update**, wait for **Ok** status to appear, and then click **Close**.

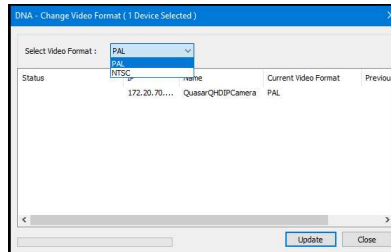


3.4 Change Video Format (Optional)

By default, NTSC is the camera's video format.

To change the camera's video format to PAL using the DNA tool:

- a. In the DNA Discover List, right-click the camera and select **Change Video Format**.
- b. In the **Change Video Format** window, select **PAL**.
- c. Click **Update**, wait for **Ok** status to appear, and then click **Close**.



For more information about using the DNA tool to configure one or more cameras, see the DNA User Guide. While the software is open, click the Help icon .

4 Install the Camera



Warning

The camera must be installed by qualified personnel and the installation should conform to all local codes.

Be sure to have the required accessories and tools available and refer to the camera's installation and user guide as necessary.

4.1 Fit Mounting Hardware

If required, install additional mounting hardware for the camera according to the instructions for the hardware.

4.2 Mount Back Box and Route Cables

To maintain structural integrity, before drilling into the mounting surface, make sure it is at least 50mm (2") thick.

- a. Using the mounting template, drill six holes on the wall or mounting surface:
Diameter \varnothing 3/8" (9.5mm), depth 1/1/2" (40mm). To ensure proper installation, make sure the drilled holes are of correct size.
- b. Hammer the six screw anchors into the drilled holes.
- c. Cables can enter the back box from the rear or from the side. If the cables are going to enter from the rear, use the mounting template to drill a bottom conduit hole for the cables.
- d. Route the power and network cabling into the back box.

- If you are connecting the camera using a single Ethernet cable with an RJ45 plug attached, attach the RJ45 insertion tool included with the camera to the RJ45 plug. Then, route the tool, plug, and cable through the single cable rubber seal included with the camera.
- If you are connecting the camera in any other way, route the cables through the multiple cable rubber seal included with the camera.

Securely fasten the rubber seal to either the bottom or the side conduit hole. In addition, FLIR recommends applying 3M waterproofing tape on the cables that pass through either conduit hole.



RJ45 Insertion Tool

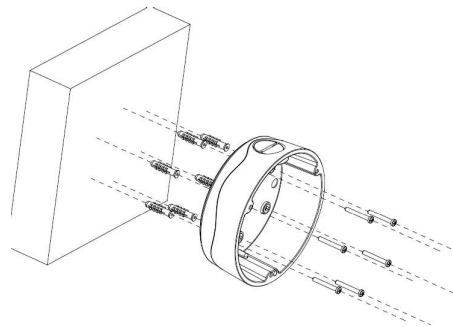


Single Cable Rubber Seal

- e. Mount the back box onto the wall or surface. Using the Philips head screwdriver, fasten the six TP4 tapping screws into the six screw anchors.

Connect the Camera

Inside the back box, connect the camera's system cable to the other cables according to the information in [3.2 Connect the Camera](#).



Mount Back Box

4.3 Mount and Aim the Camera

- a. Attach the camera to the back box. With the camera attached to the adapter plate, align the triangle on the adapter plate with the triangle on the back box. Then, while carefully holding and fully supporting the camera, to make sure the screws are not bearing the camera's weight when tightening them, use the Torx wrench to tighten the three T20 screws attached to the adapter plate.

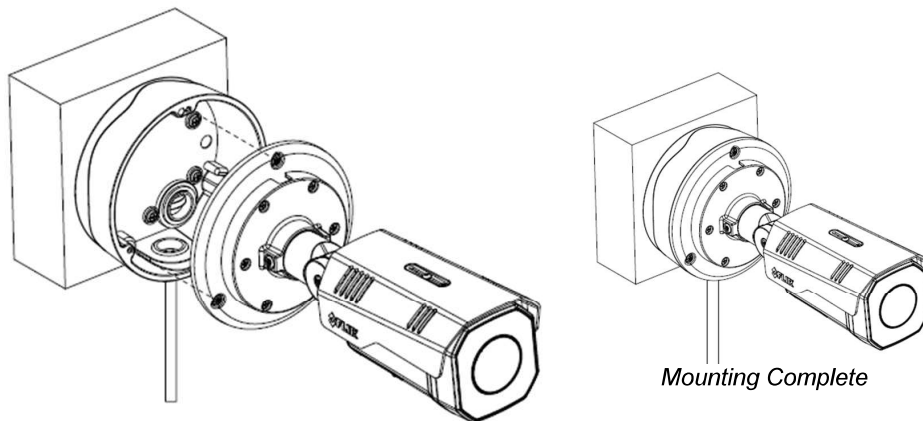
Alignment triangles



CB-6404/CB-6408 QIG Rev 100

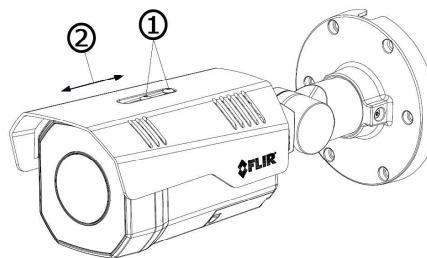
February 2021

This document does not contain any export-controlled information.

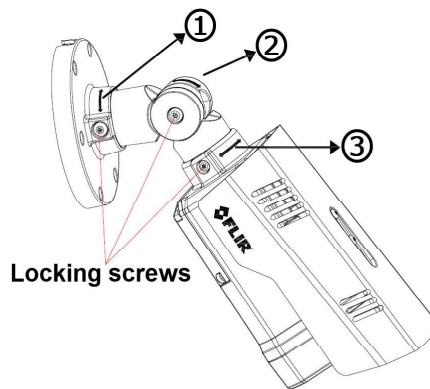


Attach Camera to Back Box

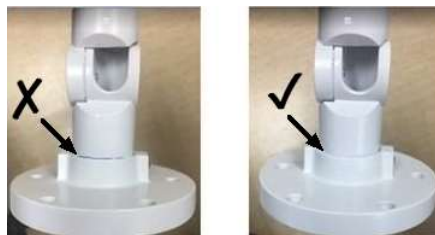
- b. Adjust the sun shield.
Loosen the two screws on the shield hood.
Move the sun shield forward or backward.
Tighten the two screws.



- c. Aim the camera.
While supporting the camera with your hand, loosen the three locking screws and adjust the camera's pan, tilt, and rotation.



- d. Make sure that the toothed surfaces are properly aligned and meet evenly. Then, use the T10 torx wrench to securely tighten each locking screw.



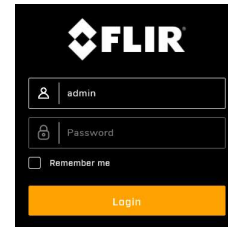
5 Complete Camera Setup

Specify the camera's zoom and focus, and format the microSDXC card, using the camera's web page, which supports Google Chrome (recommended), Firefox, Microsoft Edge, and Internet Explorer 11 (32-bit), on PCs running 64-bit Windows 7, 8, 8.1, or 10.

- a. Log in to the camera's web page.

In the DNA Discover List, double-click the camera.

On the login screen, type a user name and password.
Both are case-sensitive.

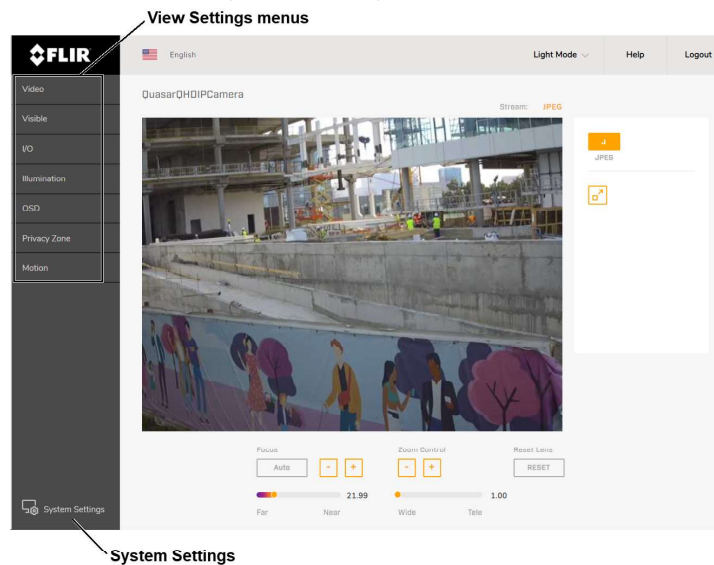


When logging in to the camera's web page for the first time or for the first time after resetting the camera to its factory defaults, type *admin* for the user name and for the password.

Then, specify a new password for the admin user. Use a strong password consisting of at least eight characters and at least one uppercase letter, one lowercase letter, and one number. Passwords can include the following special characters: |@#~!\$&<>+_-.,*?=. .

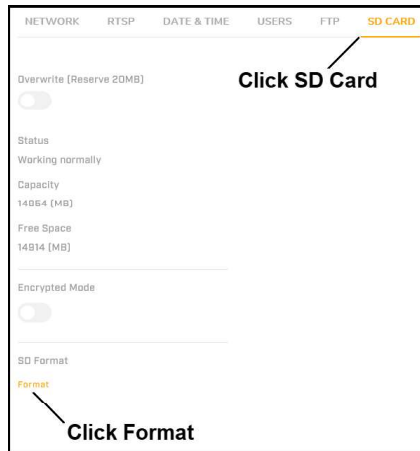
Log back in using the new password.

The camera's View Settings Home Page opens.



- b. Using the controls under the live video, configure the camera's focus and zoom.

- c. Format the microSDXC card.
Click **System Settings**.
In the top navigation bar, click **SD Card**.
Under SD Format, click **Format**.



For more information about using the camera's web page to configure the camera, see the camera's installation and user guide.

6 Attach the Camera to a Supported VMS

After mounting the camera and discovering or defining its IP address, use VMS Discovery/Attach procedures to attach the camera to a supported VMS.

7 Camera Dimensions

The Quasar CB-6404/CB-6408 camera's dimensions are:

