

STANDARD FEATURES

- Available in 40mm, 50mm, 63mm and 100mm sizes
- Stainless steel case and ring with plastic window
- 1/8" NPT back connection available in 40mm size; 1/4" NPT lower and back connection available in 50mm and 63mm sizes; 1/4" NPT lower connection available in 100mm size
- Dual scale dials with bar/kPa in blue (inner scale); psi in black (outer scale); on white background
- Panel mount kits available

CATALOG NUMBERS

Dial Size	40mm	50mm		63mm		100mm
Connection Location	Back	Back	Bottom	Back	Bottom	Bottom
Connection NPT	1/8"	1/4"	1/4"	1/4"	1/4"	1/4"
Range (psi/bar/kPa)						
3070/ vac. and -1/0 bar (-100/0 kPa)	BY10YVC8CW	—	—	BY12YVC4CW	BY12YVC4LW	BY14YVC4LW
3070/30 psi and -1/0/2 bar (-100/0/200 kPa)	—	—	—	BY12YCB4CW	BY12YCB4LW	—
3070/60 psi and -1/0/4 bar (-100/0/400 kPa)	—	BY11YCC4CW	—	—	BY12YCC4LW	BY14YCC4LW
3070/150 psi and -1/0/10 bar (-100/0/1000 kPa)	—	—	—	BY12YCE4CW	BY12YCE4LW	—
0-15 psi and 0/1 bar (100 kPa)	—	—	—	BY12YPC4CW	BY12YPC4LW	—
0-30 psi and 0/2 bar (200 kPa)	BY10YPD8CW	—	BY11YPD4LW	BY12YPD4CW	BY12YPD4LW	BY14YPD4LW
0-60 psi and 0/4 bar (400 kPa)	BY10YPE8CW	BY11YPE4CW	BY11YPE4LW	BY12YPE4CW	BY12YPE4LW	BY14YPE4LW
0-100 psi and 0/7 bar (700 kPa)	BY10YPF8CW	BY11YPF4CW	BY11YPF4LW	BY12YPF4CW	BY12YPF4LW	BY14YPF4LW
0-160 psi and 0/11 bar (1100 kPa)	BY10YPG8CW	BY11YPG4CW	BY11YPG4LW	BY12YPG4CW	BY12YPG4LW	BY14YPG4LW
0-200 psi and 0/14 bar (1400 kPa)	—	—	—	BY12YPH4CW	BY12YPH4LW	—
0-300 psi and 0/21 bar (2100 kPa)	BY10YPJ8CW	—	—	BY12YPJ4CW	BY12YPJ4LW	BY14YPJ4LW
0-600 psi and 0/42 bar (4200 kPa)	—	—	—	BY12YPM4CW	BY12YPM4LW	—
0-1000 psi and 0/70 bar (7000 kPa)	BY10YPP8CW	—	—	BY12YPP4CW	BY12YPP4LW	BY14YPP4LW
0-2000 psi and 0/140 bar (14,000 kPa)	—	—	—	BY12YPS4CW	BY12YPS4LW	—
0-3000 psi and 0/210 bar (21,000 kPa)	BY10YPT8CW	—	BY11YPT4LW	BY12YPT4CW	BY12YPT4LW	BY14YPT4LW
0-5000 psi and 0/350 bar (35,000 kPa)	BY10YPV8CW	—	—	BY12YPV4CW	BY12YPV4LW	—
0/10,000 psi and 0/700 bar (70,000 kPa)	—	—	—	BY12YPY4CW	BY12YPY4LW	—

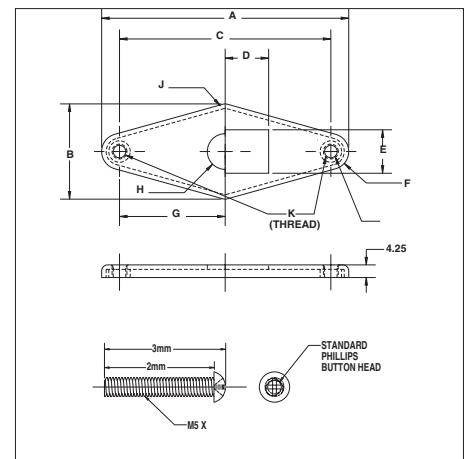
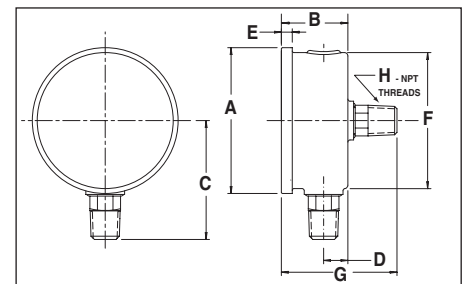
To order: specify 10-digit "catalog number" from above table. For panel mount gauges (back connection only) add "-UC" to 10-digit catalog number.

GAUGE DIMENSIONS BY10Y, BY11Y, BY12Y, BY14Y

Lower Connection Gauge Size/Type			A	B	C	D-1/4"	E	F
50 mm	BY11Y	Inch	2.21	1.11	1.86	0.37	0.19	2.01
		mm	56	28	47	9	5	51
63 mm	BY12Y	Inch	2.62	1.13	2.08	0.39	0.22	2.45
		mm	66	29	53	10	5	75
100 mm	BY14Y	Inch	4.29	1.42	3.14	0.46	0.29	3.88
		mm	109	36	80	12	7	98
Back Connection Gauge Size/Type			A	B	F	G	H	
40 mm	BY10Y	Inch	1.78	1.00	1.61	1.62	1/8"	
		mm	45	25	41	41		
50 mm	BY11Y	Inch	2.21	1.11	2.02	2.05	1/4"	
		mm	56	28	51	52		
63 mm	BY12Y	Inch	2.62	1.13	2.45	2.05	1/4"	
		mm	66	29	62	52		

PANEL MOUNT ASSEMBLY FOR 40mm, 50mm, 63mm GAUGES

Part No.		A	B	C	D	E	F	G	H	J	K
40mm Clamp	Inch	2.36	1.02	1.89	0.45	0.44	0.94	0.94	0.20	0.10	M5X0.8
	mm	60	26	48	11.6	11.3	24	24	5	2.50	M5X0.8
50mm Clamp	Inch	2.83	1.26	2.36	0.57	0.56	0.47	1.18	0.24	0.10	M5X0.8
	mm	72	32	60	14.6	14.2	30	72	6	2.50	M5X0.8
63mm Clamp	Inch	3.27	1.26	2.80	0.57	0.56	0.47	1.40	0.24	0.10	M5X0.8
	mm	83	32	71	14.6	14.2	12	35.5	6	2.50	M5X0.8



PANEL MOUNT PART NUMBER

ITEM - NO.
U-clamp 40
U-clamp 50
U-clamp 63