

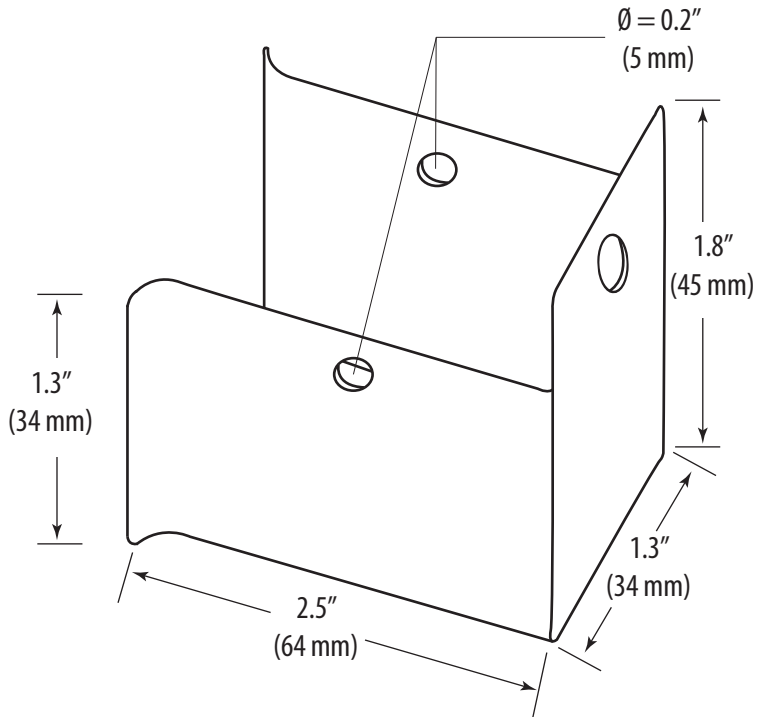
# Mounting Bracket

Secure CTs to a Panel



AH06

## DIMENSIONAL DRAWING



ACCESSORIES

## ORDERING INFORMATION

MODEL	DESCRIPTION
AH06	Mounting Bracket Pair