

AcuSplitCT Series 20/30/40/50/60A Hinged Split Core Current Transformers

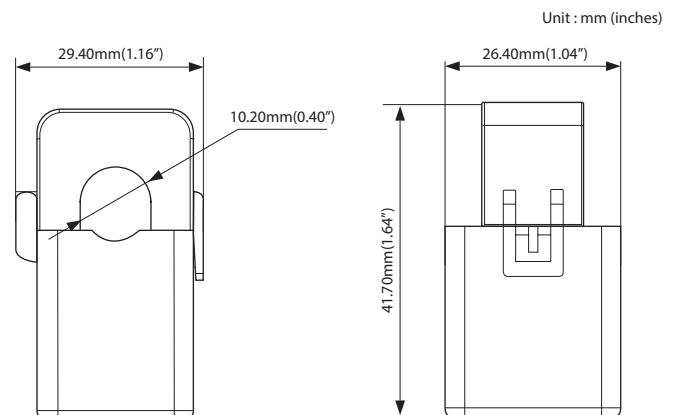
The Accuenergy hinged split core CTs are compact and low-cost current transformers with high accuracy. Designed with a single-click installation mechanism, the hinged CTs are ideal for quick and easy installation without disconnecting cables. The compact size is perfect for limited-space panels.



SPECIFICATIONS

Rated Input & Output	333mV@ 20/30/40/50/60A AC
Accuracy	0.5%
Frequency Range	50-1KHz
Window Size	0.4 Inch
Case Material	Black Nylon
Rated Voltage	600 Vac, Category III
Note: Do not use 600V class CT in application with voltage greater than 600V L-L	
Operating Temperature	-15°C - 60°C
Certifications	UR & CE approved, RoHS compliant

DIMENSIONS



ORDERING INFORMATION

Ordering Number:	Rated Input	
AcuCT- H040 -	20	: 333
Ordering Example: AcuCT- H040 -	20	: 333
	20: 20A	
	30: 30A	
	40: 40A	
	50: 50A	
	60: 60A	



Accuenergy Corp.
Los Angeles-Toronto-Beijing
North America Toll Free: 1-877-721-8908
Web: www.accuenergy.com
Email: marketing@accuenergy.com

ACCUEENERGY
Your Power and Automation Partner

AcuSplitCT Series 50/100/150A

Hinged Split Core Current Transformers

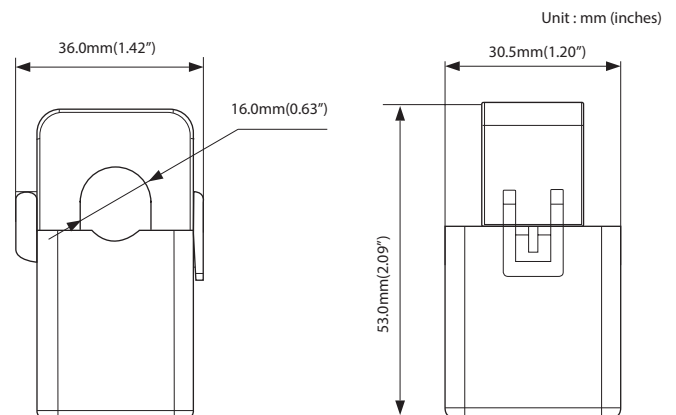
The Accuenergy hinged split core CTs are compact and low-cost current transformers with high accuracy. Designed with a single-click installation mechanism, the hinged CTs are ideal for quick and easy installation without disconnecting cables. The compact size is perfect for limited-space panels.



SPECIFICATIONS

Rated Input & Output	333mV@ 50/100/150A AC
Accuracy	0.5%
Frequency Range	50-1KHz
Window Size	1.0 Inch
Case Material	Black Nylon
Rated Voltage	600 Vac, Category III
Note: Do not use 600V class CT in application with voltage greater than 600V L-L	
Operating Temperature	-15°C - 60°C
Certifications	UR & CE approved, RoHS compliant

DIMENSIONS



ORDERING INFORMATION

Ordering Number:	Rated Input	
AcuCT- H063 -	333	
Ordering Example: AcuCT- H063 -	50	: 333
	50: 50A	
	100: 100A	
	150: 150A	



Accuenergy Corp.
 Los Angeles-Toronto-Beijing
 North America Toll Free: 1-877-721-8908
 Web: www.accuenergy.com
 Email: marketing@accuenergy.com

ACCUEENERGY
 Your Power and Automation Partner

AcuSplitCT Series 100/120/200/250A Hinged Split Core Current Transformers

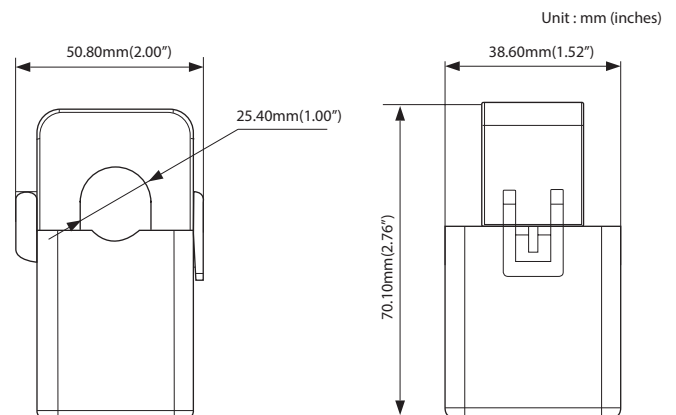
The Accuenergy hinged split core CTs are compact and low-cost current transformers with high accuracy. Designed with a single-click installation mechanism, the hinged CTs are ideal for quick and easy installation without disconnecting cables. The compact size is perfect for limited-space panels.



SPECIFICATIONS

Rated Input & Output	333mV@ 100/120/200/250A AC
Accuracy	0.5%
Frequency Range	50-1KHz
Window Size	1.0 Inch
Case Material	Black Nylon
Rated Voltage	600 Vac, Category III
Note: Do not use 600V class CT in application with voltage greater than 600V L-L	
Operating Temperature	-15°C - 60°C
Certifications	UR & CE approved, RoHS compliant

DIMENSIONS



ORDERING INFORMATION

Ordering Number:	Rated Input	
AcuCT- H100 -	333	
Ordering Example: AcuCT- H100 -	120	: 333
	100: 100A	
	120: 120A	
	200: 200A	
	250: 250A	



Accuenergy Corp.

Los Angeles-Toronto-Beijing

North America Toll Free: 1-877-721-8908

Web: www.accuenergy.com

Email: marketing@accuenergy.com

ACCUEENERGY
Your Power and Automation Partner

AcuSplitCT Series 200/400/600A Hinged Split Core Current Transformers

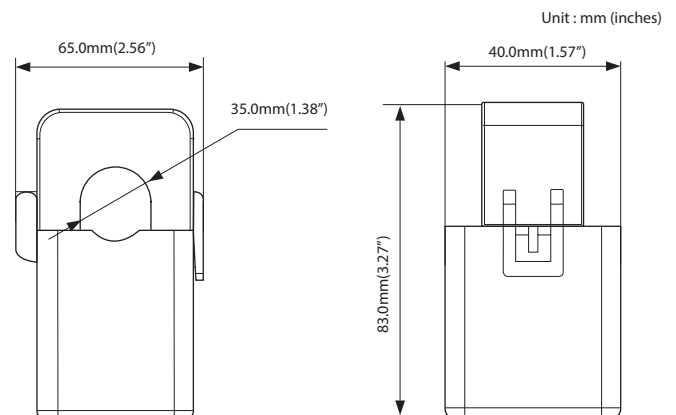
The Accuenergy hinged split core CTs are compact and low-cost current transformers with high accuracy. Designed with a single-click installation mechanism, the hinged CTs are ideal for quick and easy installation without disconnecting cables. The compact size is perfect for limited-space panels.



SPECIFICATIONS

Rated Input & Output	333mV@ 200/400/600A AC
Accuracy	0.5%
Frequency Range	50-1KHz
Window Size	1.0 Inch
Case Material	Black Nylon
Rated Voltage	600 Vac, Category III
Note: Do not use 600V class CT in application with voltage greater than 600V L-L	
Operating Temperature	-15°C - 60°C
Certifications	UR & CE approved, RoHS compliant

DIMENSIONS



ORDERING INFORMATION

Ordering Number:	Rated Input	
AcuCT- H138 -	333	
Ordering Example: AcuCT- H138 -	200	: 333
	200: 200A	
	400: 400A	
	600: 600A	



Accuenergy Corp.

Los Angeles-Toronto-Beijing

North America Toll Free: 1-877-721-8908

Web: www.accuenergy.com

Email: marketing@accuenergy.com

ACCUEENERGY
Your Power and Automation Partner