

AcuSplitCT Series 100/200A Split Core Current Transformer

The Accuenergy split core CTs are compact and low-cost current transformers with high accuracy. The Split Core CTs are ideal for quick and easy installation without disconnecting cables during installation. The internal precision burden resistor across the secondary winding of the CT provides a safe low voltage output and permits safe opening of the secondary.

FEATURES

- Clamp-on design, easy installations
- 333mV output, safe installations
- Most cost-effective

SPECIFICATIONS

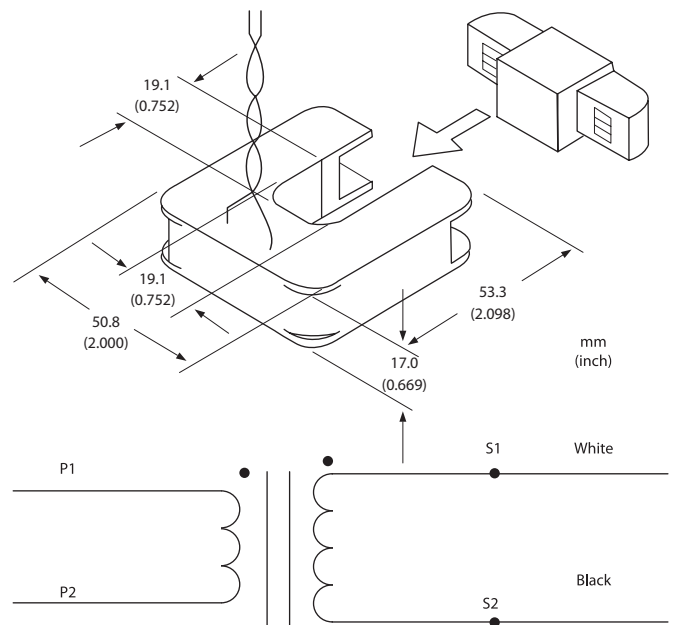
Rated Primary Current	100A, 200A
Rated Secondary Current	333mV
Linearity Accuracy	1% (at 10%-130%)
Leads	8'(2.5m), twisted pair, 22AWG
Insulation Voltage	600Vac, Category III
Frequency range	50/60Hz
Withstand Voltage	3,000Vac
Standard	IEC 60044-1
Certification	UR, CE approved & RoHS compliant
Construction	Epoxy encapsulated housing

ORDERING INFORMATION

Ordering Number:	Rated Input	Output
AcuCT - 075 -		: 333
Ordering Example: AcuCT - 075 -	100	: 333
	100: 100A	
	200: 200A	



DIMENSIONS



ACCUEENERGY
Your Power and Automation Partner

AcuSplitCT Series 300/400/600A Split Core Current Transformer

The Accuenergy split core CTs are compact and low-cost current transformers with high accuracy. The Split Core CTs are ideal for quick and easy installation without disconnecting cables during installation. The internal precision burden resistor across the secondary winding of the CT provides a safe low voltage output and permits safe opening of the secondary.

FEATURES

- Clamp-on design, easy installations
- 333mV output, safe installations
- Most cost-effective

SPECIFICATIONS

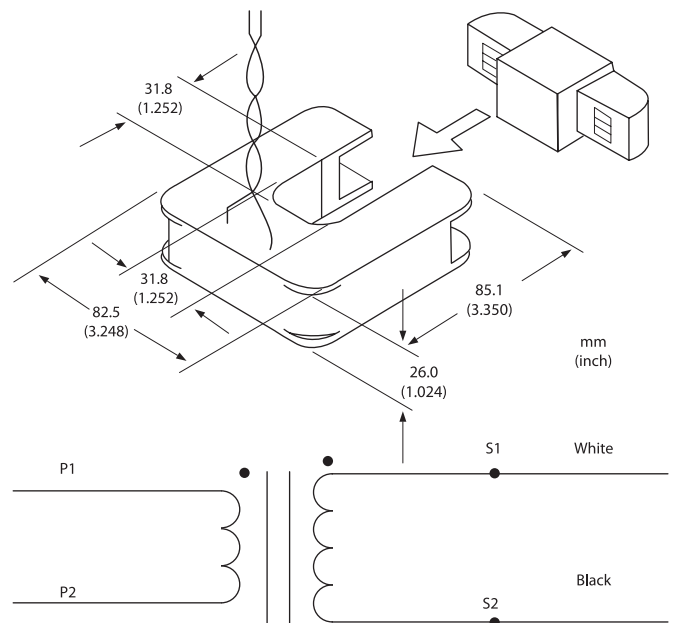
Rated Primary Current	300A, 400A, 600A
Rated Secondary Current	333mV
Linearity Accuracy	1% (at 10%-130%)
Leads	8'(2.5m), twisted pair, 22AWG
Insulation Voltage	600Vac, Category III
Frequency range	50/60Hz
Withstand Voltage	3,000Vac
Standard	IEC 60044-1
Certification	UR, CE approved & RoHS compliant
Construction	Epoxy encapsulated housing

ORDERING INFORMATION

Ordering Number:	Rated Input	
AcuCT- 125 -		: 333
Ordering Example: AcuCT- 125 -	400	: 333
	300: 300A	
	400: 400A	
	600: 400A	



DIMENSIONS



ACCUENERGY
Your Power and Automation Partner

AcuSplitCT Series 600/800/1000/1200/1500A

Split Core Current Transformer

The Accuenergy split core CTs are compact and low-cost current transformers with high accuracy. The Split Core CTs are ideal for quick and easy installation without disconnecting cables during installation. The internal precision burden resistor across the secondary winding of the CT provides a safe low voltage output and permits safe opening of the secondary.

FEATURES

- Clamp-on design, easy installations
- 333mV output, safe installations
- Most cost-effective

SPECIFICATIONS

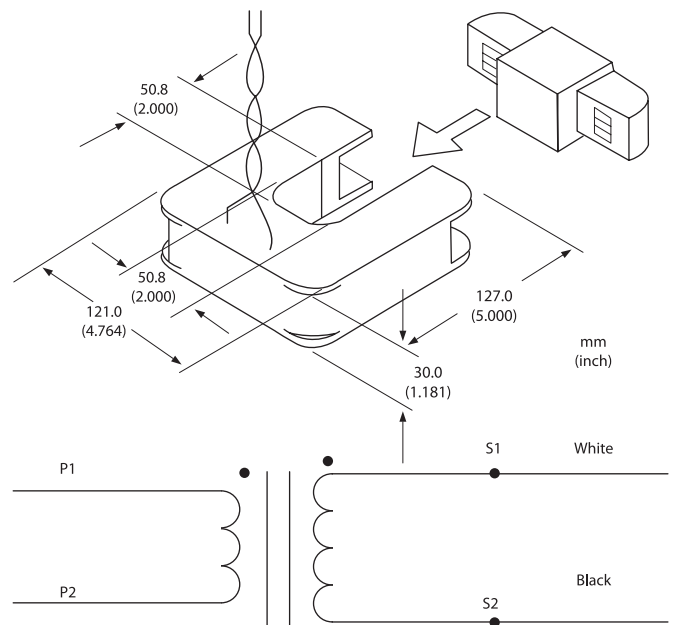
Rated Primary Current	600A, 800A, 1000A, 1200A, 1500A
Rated Secondary Current	333mV
Linearity Accuracy	1% (at 10%-130%)
Leads	8'(2.5m), twisted pair, 22AWG
Window Size	2 inches
Insulation Voltage	600Vac, Category III
Frequency range	50/60Hz
Withstand Voltage	3,000Vac
Standard	IEC 60044-1
Certification	UR, CE approved & RoHS compliant
Construction	Epoxy encapsulated housing

ORDERING INFORMATION

Ordering Number:	Rated Input	Output
AcuCT- 200 -	600	: 333
Ordering Example: AcuCT- 200 -	800	: 333
	600: 600A	
	800: 800A	
	1000: 1000A	
	1200: 1200A	
	1500: 1500A	



DIMENSIONS



ACCUENERGY
Your Power and Automation Partner

AcuSplitCT Series 400/600/1000/1500/2000/3000/5000A

Split Core Current Transformer

The Accuenergy split core CTs are compact and low-cost current transformers with high accuracy. The Split Core CTs are ideal for quick and easy installation without disconnecting cables during installation. The internal precision burden resistor across the secondary winding of the CT provides a safe low voltage output and permits safe opening of the secondary.

FEATURES

- Clamp-on design, easy installations
- 333mV output, safe installations
- Most cost-effective

SPECIFICATIONS

Rated Primary Current	400A, 600A, 1000A, 1500A, 2000A, 3000A, 5000A
Rated Secondary Current	333mV
Linearity Accuracy	1% (at 10%-130%)
Leads	8'(2.5m), twisted pair, 22AWG
Window Size	2 inches
Insulation Voltage	600Vac, Category III
Frequency range	50/60Hz
Withstand Voltage	3,000Vac
Standard	IEC 60044-1
Certification	UL, CE approved & RoHS compliant
Construction	Epoxy encapsulated housing

ORDERING INFORMATION

Ordering Number:	AcuCT-	Rated Input	
AcuCT- 3050	-	1000	: 333
Ordering Example:	AcuCT- 3050	-	1000 : 333
		400: 600A	
		600: 800A	
		1000: 1000A	
		1500: 1500A	
		2000: 2000A	
		3000: 3000A	
		5000: 3000A	



DIMENSIONS

