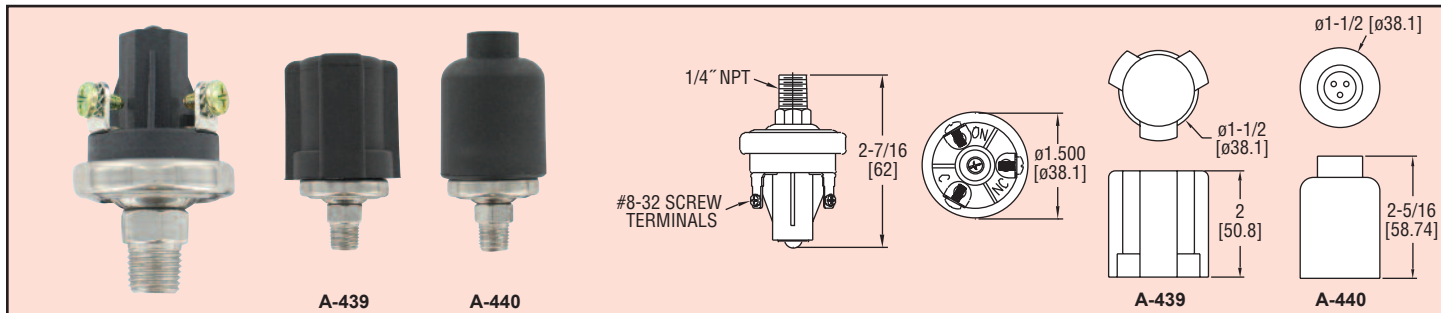




Series
A6

Durable Pressure Switch

Designed for Extended Duty, Simple and Reliable



Series A6 Durable Pressure Switches have been specifically designed to stand up to extended duty applications. These switches are constructed with a polyamide film diaphragm and are compatible with a variety of fluids. For ease of installation, the switches come with a 1/4" male NPT process connection and can be mounted in any orientation. The Series A6 pressure switches are compact and have great setpoint integrity, and feature simple, easy set-point field adjustment.

Model	Set Point Range psi (bar)	
	NC	NO
A6-153221	0.5 to 1 (0.03 to 0.07)	1.1 to 3.1 (0.08-0.21)
A6-253221	1.1 to 3 (0.08 to 0.21)	2.27 to 6.05 (0.16-0.42)
A6-353221	3.1 to 7 (0.21 to 0.48)	4.22 to 10.75 (0.29 to 0.74)
A6-453221	8 to 13 (0.55 to 0.90)	12.3 to 17.5 (0.85 to 1.21)
A6-553221	14 to 24 (0.97 to 1.66)	18.6 to 31.8 (1.28 to 2.19)
A6-653221	25 to 50 (1.73 to 3.45)	33.1 to 61 (2.28 to 4.21)
A6-753221	51 to 90 (3.52 to 6.21)	65.6 to 112.3 (4.53 to 7.75)
A6-853221	91 to 150 (6.28 to 10.35)	114.7 to 198.3 (7.94 to 13.68)

ACCESSORIES

A-439, Weatherproof IP65 Cover

A-440, Weatherproof IP65 with Fly-wire holes

SPECIFICATIONS

Service: Air, motor oils, transmission oils, jet fuels, and similar hydrocarbon media.

Wetted Materials: Base: 304 SS; Diaphragm: Polyamide film.

Temperature Limits: -40 to 248°F (-40 to 120°C).

Pressure Limits: Operating Pressure: 150 psi (10.3 bar) for 0.5-24 psi set point ranges, 250 psi (17.2 bar) for 25 to 150 psi set-point ranges; Proof Pressure: 500 psi (34.5 bar); Burst Pressure: 750 psi (51.7 bar) for 0.5-24 psi set point ranges, 1250 psi (86.2 bar) for 25-150 psi set-point ranges.

Enclosure Rating: General purpose or with cover: IP65 - weatherproof.

Repeatability: ±10% of set-point.

Set Point Tolerance: ±15% of range.

Switch Type: 1 SPST NO, 1 SPST NC. NO and NC switch independent from each other.

Electrical Ratings: Resistive: 15 A @ 6 VDC, 8 A @ 12 VDC, 4 A @ 24 VDC; Inductive: 1 A @ 120 VAC, 0.5 A @ 240 VAC.

Electrical Connections: #8-32 screw terminals.

Process Connection: 1/4" NPT male.
Mounting Orientation: Switch can be installed in any position.

Set-point Adjustment: Screw.

Weight: 0.13 lb (0.06 kg).

Agency Approval: CE.