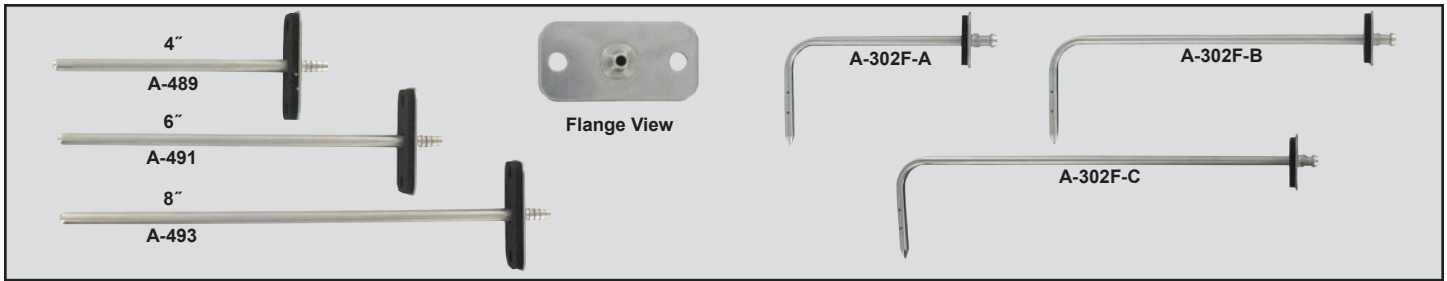




Static Pressure Tips



The **Stainless Steel Static Pressure Tips** are used to measure static pressures in ducts or rooms. They are to be connected to differential pressure switches and transmitters. Two static sensors are used in applications where differential pressure is required across a filter or coil. These sensors include a mounting flange with integral rubber gasket and two screws for simplifying mounting on a duct.

- A-302F-A**, 4" Hook style SS Static Pressure Tip with mounting flange
- A-302F-B**, 6" Hook style SS Static Pressure Tip with mounting flange
- A-302F-C**, 8" Hook style SS Static Pressure Tip with mounting flange
- A-489**, 4" Straight SS Static Pressure Tip with mounting flange
- A-491**, 6" Straight SS Static Pressure Tip with mounting flange
- A-493**, 8" Straight SS Static Pressure Tip with mounting flange

SPECIFICATIONS

Sizes: 4" (101 mm), 6" (152 mm), 8" (203 mm).
Materials: 304 SS sensor tube, 303 SS hose barb, 430 SS flange.
Connection: Barb connection for use with 3/16" ID tubing.

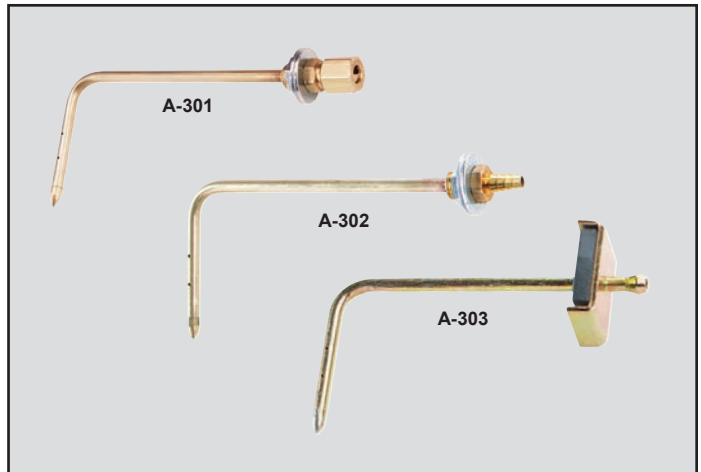
Designed for simplified installation, these are easy to install, inexpensive, and provides accurate static pressure sensing in smooth air at velocities up to 1500 FPM.

- A-307**, Static Pressure Fitting, for 1/4" metal tubing connection
- A-307-SS**, same as above in Stainless Steel
- A-308**, Static Pressure Fitting, for 3/16" and 1/8" ID plastic or rubber tubing
- A-414**, SS Clean Room Pressure Sensor



These static pressure tips are ideal for applications such as sensing the static pressure drop across industrial air filters and refrigerant coils. Here the probability of air turbulence requires that the pressure sensing openings be located away from the duct walls to minimize impingement and aspiration, and thus ensure accurate readings. For a permanent installation of this type, the Dwyer No. A-301 or A-302 Static Pressure Tip is used. It senses static pressure through radially-drilled holes near the tip and can be used in air flow velocities up to 12,000 FPM. The angled tips shown have 4" insertion depth. Each has four radially drilled .040" sensing holes. All except Model A-303 mount in 3/8" hole in duct. For portable use, a magnet holds No. A-303 in place.

- A-301**, Static Pressure Tip, for 1/4" metal tubing connection
- A-301-A**, Static Pressure Tip, same as A-301 with 6" insertion depth
- A-301-B**, Static Pressure Tip, same as A-301 with 8" insertion depth
- A-301-C**, Static Pressure Tip, same as A-301 with 12" insertion depth
- A-301-SS**, same as A-301 in Stainless Steel
- A-302**, Static Pressure Tip, for 3/16" and 1/8" ID plastic or rubber tubing
- A-302-A**, Static Pressure Tip, same as A-302 with 6" insertion depth
- A-303**, Portable Static Pressure Tip, for 3/16" ID rubber or plastic tubing with 4" insertion



A-305 low resistance Static Pressure Tip is designed for use in dust-laden air and for rapid response applications. It is recommended where a very low actuation pressure is required for a pressure switch or indicating gage — or where response time is critical.

- A-305**, Static Pressure Tip, low resistance application, furnished with two (2) hex jam nuts and two (2) mounting washers for duct mounting and with 1/8" NPT pipe thread for pressure connection
- A-305-SS**, same as A-305 in Stainless Steel
- A-306**, Outdoor static pressure sensor. Provides average outdoor pressure signal for reference in building pressurization applications. Includes sensor, 50' vinyl tubing, mounting bracket and hardware. Red Sensor
- A-306-A**, Outdoor static pressure sensor. Provides average outdoor pressure signal for reference in building pressurization applications. Includes sensor, 50' vinyl tubing, mounting bracket and hardware. Gray Sensor



ACCESSORIES

Static Pressure Sensors