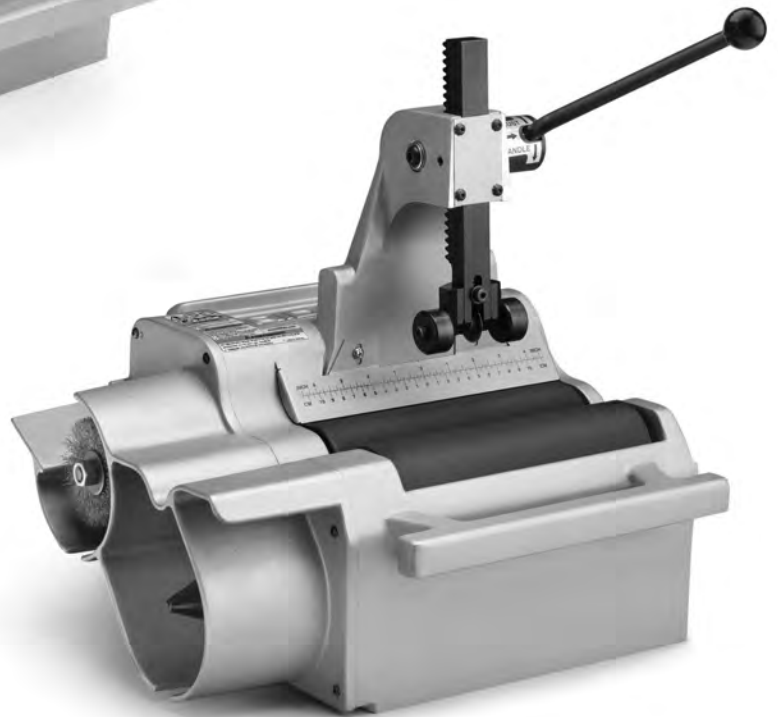


# Copper Cutting and Prep Machines



## Table of Contents

<b>Recording Form for Machine Serial Number</b> .....	1
<b>Safety Symbols</b> .....	2
<b>General Power Tool Safety Warnings</b>	
Work Area Safety.....	2
Electrical Safety .....	2
Personal Safety .....	3
Power Tool Use and Care .....	3
Service.....	3
<b>Specific Safety Information</b>	
Copper Cutting and Prep Machines Safety .....	4
<b>Description, Specifications and Standard Equipment</b>	
Description .....	4
Standard Equipment .....	4
Specifications.....	5
Icons .....	6
<b>Tool Assembly</b>	
Fitting Brushes and Holder .....	6
O. D. Deburring Disk .....	6
<b>Pre-Operation Inspection</b> .....	6
<b>Machine and Work Area Set-Up</b> .....	7
Using Foot Switch (120V Only) .....	8
<b>Operating Instructions</b>	
Cutting Tubes.....	9
Cleaning/Deburring O.D. of Tube .....	10
Reaming I.D. of Tube.....	10
Cleaning Inside of Fittings .....	10
<b>Maintenance Instructions</b>	
Cleaning.....	11
Lubrication .....	11
Adjusting Rack Tension .....	11
Cutter Wheel Replacement .....	11
O.D. Brush Replacement.....	11
Reamer Blade Replacement .....	11
Motor Thermal Overload .....	12
<b>Accessories</b> .....	12
<b>Storage</b> .....	12
<b>Service and Repair</b> .....	12
<b>Disposal</b> .....	13
<b>Troubleshooting</b> .....	13
<b>EC Declaration of Conformity</b> .....	Inside Back Cover
<b>Lifetime Warranty</b> .....	Back Cover

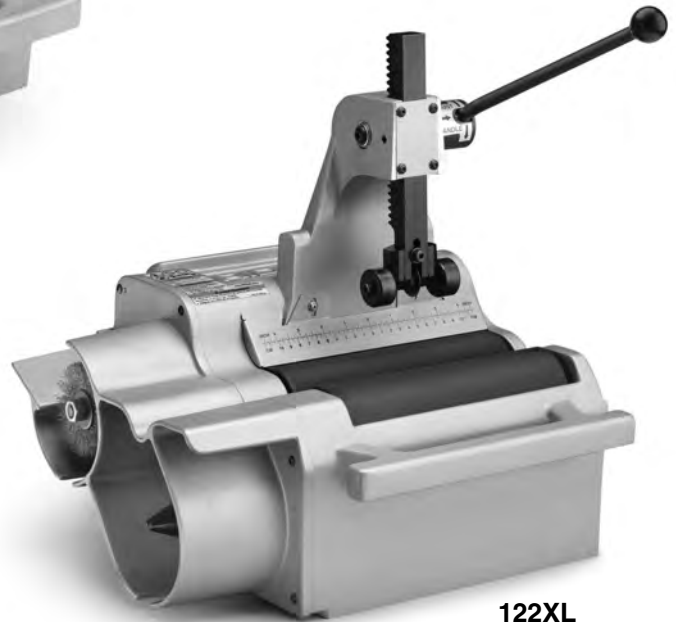
\*Original Instructions - English

# 122/122XL

# Copper Cutting and Prep Machines



122



122XL

## **⚠️ WARNING!**

Read this Operator's Manual carefully before using this tool. Failure to understand and follow the contents of this manual may result in electrical shock, fire and/or serious personal injury.


### 122/122XL Copper Cutting and Prep machines

Record Serial Number below and retain product serial number which is located on nameplate.

Serial  
No.


## Safety Symbols

In this operator's manual and on the product, safety symbols and signal words are used to communicate important safety information. This section is provided to improve understanding of these signal words and symbols.


 This is the safety alert symbol. It is used to alert you to potential personal injury hazards. Obey all safety messages that follow this symbol to avoid possible injury or death.


 **DANGER** DANGER indicates a hazardous situation which, if not avoided, will result in death or serious injury.


 **WARNING** WARNING indicates a hazardous situation which, if not avoided, could result in death or serious injury.


 **CAUTION** CAUTION indicates a hazardous situation which, if not avoided, could result in minor or moderate injury.


 **NOTICE** NOTICE indicates information that relates to the protection of property.


 This symbol means read the operator's manual carefully before using the equipment. The operator's manual contains important information on the safe and proper operation of the equipment.


 This symbol means always wear safety glasses with side shields or goggles when handling or using this equipment to reduce the risk of eye injury.

 This symbol indicates the risk of hands, fingers or other body parts being caught or wrapped in rollers or other moving parts

 This symbol indicates the risk of hands, fingers or other body parts being cut by the rotating reamer or wire brush or other moving parts

 This symbol indicates the risk of machine tipping, causing striking or crushing injuries.

 This symbol indicates the risk of electrical shock.

 This symbol means do not wear gloves while operating this machine to reduce the risk of entanglement.

## General Power Tool Safety Warnings\*

 **WARNING**  
**Read all safety warnings, instructions, illustrations and specifications provided with this power tool. Failure to follow all instructions listed below may result in electric shock, fire and/or serious injury.**

**SAVE ALL WARNINGS AND INSTRUCTIONS FOR FUTURE REFERENCE!**

The term "power tool" in the warnings refers to your mains-operated (corded) power tool or battery-operated (cordless) power tool.

### Work Area Safety

- **Keep your work area clean and well lit.** Cluttered or dark areas invite accidents.
- **Do not operate power tools in explosive atmospheres, such as in the presence of flammable liquids, gases, or dust.** Power tools create sparks which may ignite the dust or fumes.

- **Keep children and bystanders away while operating a power tool.** Distractions can cause you to lose control.

### Electrical Safety

- **Power tool plugs must match the outlet. Never modify the plug in any way. Do not use any adapter plugs with earthed (grounded) power tools.** Unmodified plugs and matching outlets will reduce risk of electric shock.
- **Avoid body contact with earthed or grounded surfaces such as pipes, radiators, ranges and refrigerators.** There is an increased risk of electrical shock if your body is earthed or grounded.
- **Do not expose power tools to rain or wet conditions.** Water entering a power tool will increase the risk of electrical shock.
- **Do not abuse the cord. Never use the cord for carrying, pulling or unplugging the power tool. Keep cord away from heat, oil, sharp edges or**

\* The text used in the General Power Tool Safety Warnings section of this manual is verbatim, as required, from the applicable EN 62841-1 standard. This section contains general safety practices for many different types of power tools. Not every precaution applies to every tool, and some do not apply to this tool.

**moving parts.** Damaged or entangled cords increase the risk of electric shock.

- **When operating a power tool outdoors, use an extension cord suitable for outdoor use.** Use of a cord suitable for outdoor use reduces the risk of electric shock.
- **If operating a power tool in a damp location is unavoidable, use a ground fault circuit interrupter (GFCI) protected supply.** Use of a GFCI reduces the risk of electric shock.

### Personal Safety

- **Stay alert, watch what you are doing and use common sense when operating a power tool. Do not use a power tool while you are tired or under the influence of drugs, alcohol, or medication.** A moment of inattention while operating power tools may result in serious personal injury.
- **Use personal protective equipment. Always wear eye protection.** Protective equipment such as dust mask, non-skid safety shoes, hard hat, or hearing protection used for appropriate conditions will reduce personal injuries.
- **Prevent unintentional starting. Ensure the switch is in the OFF-position before connecting to power source and/or battery pack, picking up or carrying the tool.** Carrying power tools with your finger on the switch or energizing power tools that have the switch ON invites accidents.
- **Remove any adjusting key or wrench before turning the power tool ON.** A wrench or a key left attached to a rotating part of the power tool may result in personal injury.
- **Do not overreach. Keep proper footing and balance at all times.** This enables better control of the power tool in unexpected situations.
- **Dress properly. Do not wear loose clothing or jewelry. Keep your hair, clothing, and gloves away from moving parts.** Loose clothes, jewelry, or long hair can be caught in moving parts.
- **If devices are provided for the connection of dust extraction and collection facilities, ensure these are connected and properly used.** Use of dust collection can reduce dust-related hazards.
- **Do not let familiarity gained from frequent use of tools allow you to become complacent and ignore tool safety principles.** A careless action can cause severe injury within a fraction of a second.

### Power Tool Use and Care

- **Do not force power tool. Use the correct power tool for your application.** The correct power tool will do the job better and safer at the rate for which it is designed.
- **Do not use power tool if the switch does not turn it ON and OFF.** Any power tool that cannot be controlled with the switch is dangerous and must be repaired.
- **Disconnect the plug from the power source and/or remove the battery pack, if detachable, from the power tool before making any adjustments, changing accessories, or storing power tools.** Such preventive safety measures reduce the risk of starting the power tool accidentally.
- **Store idle power tools out of the reach of children and do not allow persons unfamiliar with the power tool or these instructions to operate the power tool.** Power tools are dangerous in the hands of untrained users.
- **Maintain power tools and accessories. Check for misalignment or binding of moving parts, breakage of parts and any other condition that may affect the power tool's operation. If damaged, have the power tool repaired before use.** Many accidents are caused by poorly maintained power tools.
- **Keep cutting tools sharp and clean.** Properly maintained cutting tools with sharp cutting edges are less likely to bind and are easier to control.
- **Use the power tool, accessories and tool bits etc. in accordance with these instructions, taking into account the working conditions and the work to be performed.** Use of the power tool for operations different from those intended could result in a hazardous situation.
- **Keep handles and grasping surfaces dry, clean and free from oil and grease.** Slippery handles and grasping surfaces do not allow for safe handling and control of the tool in unexpected situations.

### Service

- **Have your power tool serviced by a qualified repair person using only identical replacement parts.** This will ensure that the safety of the power tool is maintained.

### Specific Safety Information

#### **⚠ WARNING**

**This section contains important safety information that is specific to this tool.**

**Read these precautions carefully before using the 122 and 122XL Copper Cutting and Prep Machines to reduce the risk of electrical shock or serious personal injury.**

**SAVE THESE INSTRUCTIONS!**

Keep this manual with machine for use by the operator.

**Copper Cutting and Prep Machines Safety**

- **Do not wear gloves or loose clothing. Keep sleeves and jackets buttoned.** Clothing can be caught in rotating rollers or tools and cause crushing injuries.
- **Secure machine to stable bench or stand. Properly support the tubes.** This reduces the risk of falling tube, tipping and serious injury.
- **Keep fingers and hands away from the rotating rollers, reamer, wire brushes, deburring disk and tube.** This reduces the risk of entanglement and cutting injuries.
- **Do not cut visibly bent tubing or tubing with fittings attached.** Reduces the risk of excessive vibration and loss of control of the machine and/or tubing.
- **Only use the machines to cut, clean and deburr copper or stainless steel tubing as directed in this manual.** Do not use for other purposes or modify. Other uses or modifying this machine for other applications may increase the risk of serious injury.
- **Read and understand the instructions and warnings for all equipment and material being used before operating the machines.** Failure to follow all instructions and warnings may result in property damage or serious personal injury.

**Description, Specifications and Standard Equipment**

**Description**

The RIDGID® Model 122 and 122XL Copper Cutting and Prep Machines are designed to cut, clean and deburr copper tubing and fittings (Types K, L and M). These can also be used to cut and deburr stainless steel tubing with a maximum wall thickness of .065" (1.65 mm) with a separate cutter wheel.

Cutting is performed by turning the tubing with motor-driven rollers while a cutter wheel is manually actuated by a rack and pinion. An adjustable cutting handle accommodates different diameter tubes and a scale is included for tube measurement. Reamer removes burrs from the inside of the tubing while the brush cleans the external surface in preparation for joining. The machine can also clean the inside of fittings using individually sized brushes that are attached to the quick-change adapter. Deburring disk cleans burrs from the outside surface of the tubing.

The RIDGID® Model 122 and 122XL Copper Cutting and Prep Machines are not designed for use with pipe.

**Standard Equipment**

The 122 and 122XL Copper Cutting and Prep Machines come with the following items:

- O. D. Cleaning Brush
- Cone Reamer
- O. D. Deburring Disk (122XL Only)
- Fitting Brush Storage Kit (122 Only)
- Operator's Manual Pack

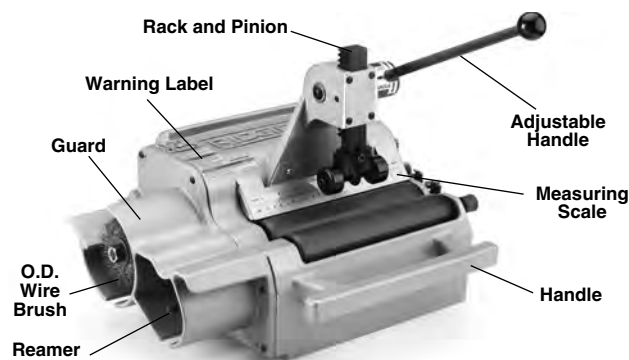


Figure 1A – 122 Copper Cutting and Prep Machine

**Specifications**

Parameter	122	122XL
Capacity Copper Tubes and Fittings Stainless Steel Tubes	1/2" to 2" (12 mm to 54 mm) ASTM B88 Type K, L & M Max Wall Thickness 0.065" (1.65 mm)	1/2" to 4" (12 mm to 108 mm) ASTM B88 Type K, L & M Max Wall Thickness 0.065" (1.65 mm)
Cutter Wheel	Model 2191 HD (STD 115V) Model 122 SS (STD, 100V, 230V)	Model 122 SS
Reamer	Single Flute Cone, RH 1/2" to 2" (12 mm to 54 mm)	Single Flute Cone, RH 1/2" to 2" (12 mm to 54 mm)
Roller Speed	450 rpm	300 rpm
Motor Type	Induction Motor	Induction Motor
Motor Rating 100V	100/200V, 50 Hz, 5.4/2.7 Amp	
Motor Rating 115V	115V, 60 Hz, 1/3 HP, 3.2 Amp	115V, 60 Hz, 1/3 HP, 3.2 Amp
Motor Rating 220V-240V	220-240VAC, 50/60Hz, 2.2 Amp	220-240VAC, 50/60Hz, 2.2 Amp
Switch	Toggle On/Off	Toggle On/Off
Weight	50 lb (22,7 kg)	72 lb (32,7 kg)
Dimensions (HxLxW)	14.6" x 16.8" x 15.1" (370 x 427 x 383 mm)	16.5" x 17.1" x 15.0" (419 x 434 x 381 mm)
Sound Pressure (L <sub>PA</sub> )*	75 dB(A), K=3	75 dB(A), K=3

\* Sound measurements are measured in accordance with a standardized test per Standard EN 62481-1.  
 - Sound emissions may vary due to your location and specific use of these tools.  
 - Daily exposure levels for sound need to be evaluated for each application and appropriate safety measures taken when needed. Evaluation of exposure levels should consider the time a tool is switched off and not in use. This may significantly reduce the exposure level over the total working period.

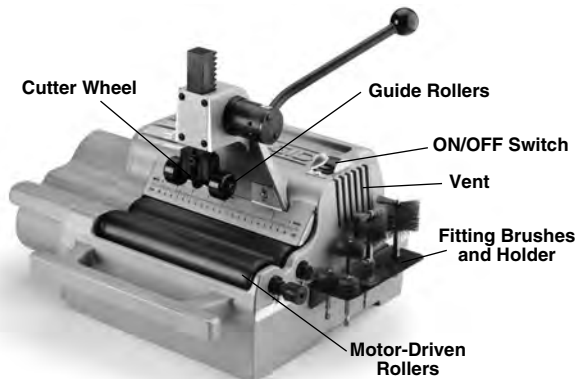


Figure 1B – 122 Copper Cutting and Prep Machine

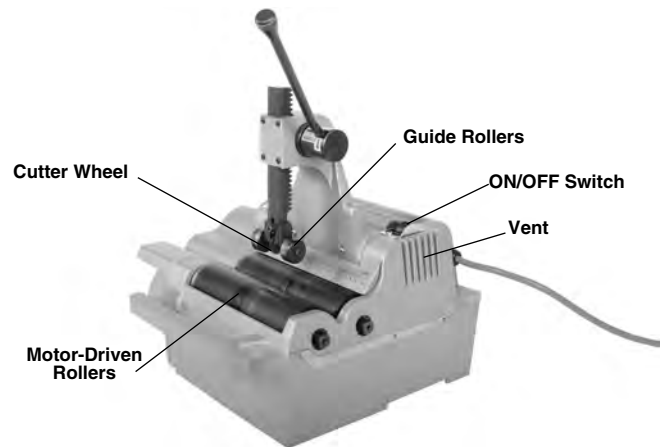


Figure 2B – 122XL Copper Cutting and Prep Machine

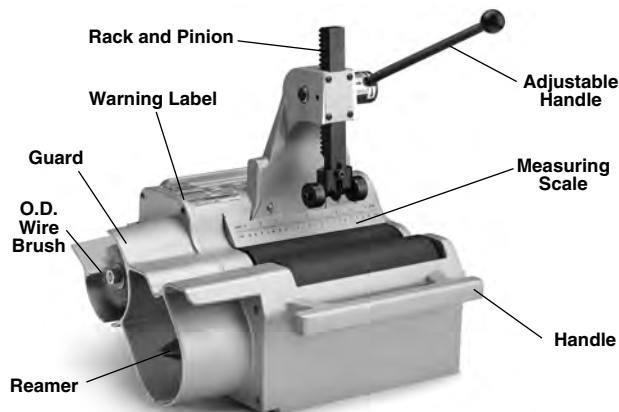




Figure 2A – 122XL Copper Cutting and Prep Machine

The machine serial number is located on the rear side of the machine. The last 4 digits indicate the month and year of the manufacture. (08 = month, 15 = year).



Figure 3 – Machine Serial Number

## Icons

-  Power ON
-  Power OFF

**NOTICE** Selection of appropriate materials and installation, joining and forming methods is the responsibility of the system designer and/or installer. Selection of improper materials and methods could cause system failure.

Stainless steel and other corrosion resistant materials can be contaminated during installation, joining and forming. This contamination could cause corrosion and premature failure. Careful evaluation of materials and methods for the specific service conditions, including chemical and temperature, should be completed before any installation is attempted.

## Tool Assembly

### WARNING

To reduce the risk of serious injury during use, follow these procedures for proper assembly.

**ON/OFF switch should be OFF and machine unplugged before assembly.**

### Fitting Brushes and Holder (optional accessory for the 122XL)

1. Mount the fitting brush holder to the side of machine using provided screws
2. Attach the quick-change collet (Figure 4) to the front roller shaft extending from machine housing using the setscrew. Securely tighten with 1/4" hex key.
3. Pull the collar of the collet to unlock and insert the brush shank, then release the collar to lock. Make sure the brush is secure. The brush can be replaced in similar manner.

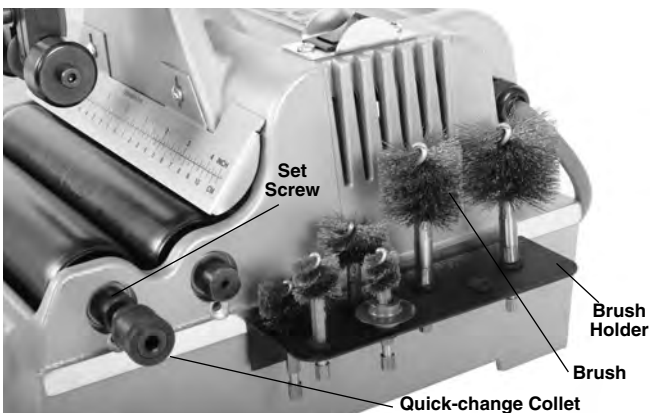


Figure 4 – Collet Installed

### O. D. Deburring Disk (optional accessory for the 122)

1. Hold the O.D. brush shaft stationary by gripping the flats located near the surface of the housing with a 9/16" wrench (Figure 5).
2. Remove the 1/2" nut and washer, and then remove the brush and spacer.
3. With the disk model number (F-4697) recess facing the machine housing, slide the deburring disk onto the shaft and replace the brush. Spacer should not be used when the deburring disk is installed.

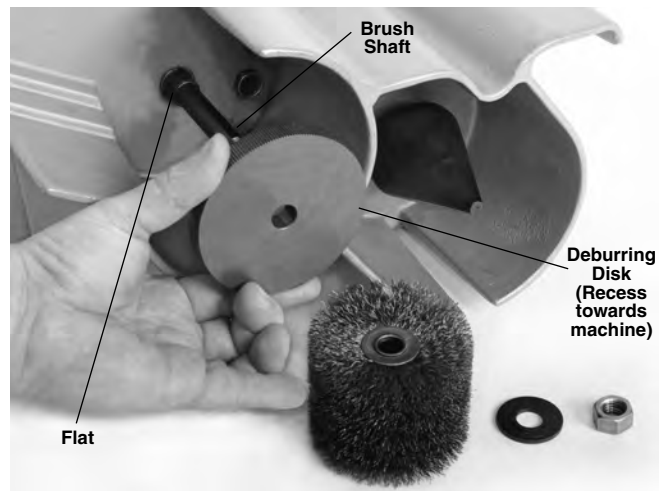


Figure 5 – Installing Deburring Disk

4. Reinstall washer and 1/2" nut and securely tighten.

## Pre-Operation Inspection

### WARNING



**Before each use, inspect your Copper Cutting and Prep Machine and correct any problems to reduce the risk of serious injury from electric shock, entanglement, crushing and other causes and prevent machine damage.**

1. Make sure that the copper cutting and prep machine is unplugged and the ON/OFF switch is in OFF (O) position.
2. Clean any oil, grease or dirt from the tool including handles and controls. This aids inspection and helps prevent the tool or control from slipping from your grip.



Clean dirt and debris from the rollers. Rollers must be kept clean to insure proper machine performance.

3. Inspect the copper cutting and prep machine for the following items:
  - Damage or modification to the cord and plug.
  - Proper assembly, maintenance and completeness.
  - Damaged, misaligned or binding parts.
  - Free movement of adjustable handle, rack and pinion, cutter wheel and guide rollers
  - Presence and readability of the warning label (see Figure 6).
  - Any other condition which may prevent safe and normal operation.

If any problems are found, do not use the copper cutting and prep machine until the problems have been repaired.



Figure 6 – Warning Label

4. Inspect the cutter wheel, reamer, brush(es) and guide rollers for wear and damage. If necessary, replace prior to using the machine. Dull, damaged or deformed tools can lead to uneven cuts or cleaning, excessive bur formation, and slow the cutting or cleaning process.
5. Inspect and maintain any other equipment being used per its instructions.
6. Make sure that the ON/OFF switch is set to the OFF (O) position. With dry hands, plug cord into properly grounded outlet.
7. Move the ON/OFF switch into the ON (I) position and note the direction of rotation of the rollers. If the switch does not control the machine operation, do not use the machine until the switch has been repaired. The rollers should rotate counter-clockwise when viewed from the reamer side of the machine. If the rotation is not correct, do not use the machine until it has been repaired.

8. After the inspection is complete, move the ON/OFF switch into the OFF (O) position and, with dry hands, unplug the machine.

## Machine and Work Area Set-Up



**Set up the Copper Cutting and Prep Machine and work area according to these procedures to reduce the risk of injury from electrical shock, entanglement, crushing and other causes and prevent tool damage.**

**Secure machine to stable bench or stand. Properly support tube. This will reduce the risk of falling tube, tipping and serious injury.**

**Keep fingers and hands away from the rotating reamer, rollers, wire brush, deburring disk and tube. Reduces the risk of entanglement and cutting injuries.**

1. Check work area for:
  - Adequate lighting.
  - Flammable liquids, vapors or dust that may ignite. If present, do not work in area until sources have been identified and corrected. The copper cutting and prep machine is not explosion proof and can cause sparks.
  - Clear, level, stable, dry place for operator. Do not use the machine while standing in water.
  - Properly grounded electrical outlet of the correct voltage. A three-prong or GFCI outlet may not be properly grounded. If in doubt, have outlet inspected by a licensed electrician.
  - Clear path to electrical outlet that does not contain any potential sources of damage for the power cord.
2. Inspect the work to be done. Determine the material, type and size of the tube. Determine the correct equipment for the job. See “*Specification*” section for tool information.
3. Confirm that the equipment to be used has been properly inspected.
4. Place the machine on a flat, level, stable surface or a 1206 stand. If using a 1206 Stand, set up per its instructions. Bolt the machine down using the mounting holes located at the rear of the unit. Confirm that unit is stable and secure.



Figure 7 – 122XL on 1206 stand

5. If tube will extend more than 6" beyond the machine, use one or more stands to support the tube.
6. Restrict access or set-up guards or barricades to create a minimum of 3 feet (1 m) of clearance around the machine and tube. This reduces the risk of entanglement or tipping from non-operators from contacting the machine or tube.
7. Confirm that the ON/OFF switch is in OFF (O) position.
8. Run the cord along the clear path. With dry hands plug the copper cutting and prep machine into a properly grounded outlet. Keep all connections dry. If the power cord is not long enough, use an extension cord that:
  - Is in good condition.
  - Has a three-prong plug similar to that supplied on the machine.
  - Is rated for outdoor use and contains a W or W-A in the cord designation (i.e. SOW), or complies with H05VV-F, H05RN-F types or IEC type design (60227 IEC 53, 60245 IEC 57).
  - Has sufficient wire size. For extension cords up to 50' (15.2 m) long use 16 AWG (1.5 mm<sup>2</sup>) or heavier. For extension cords 50'-100' (15.2 m – 30.5 m) long use 14 AWG (2.5 mm<sup>2</sup>) or heavier.

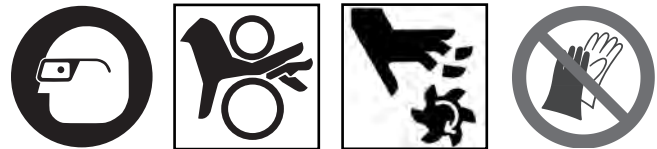
### Using Foot Switch (120V only)

For ease of operation, the 122 and 122XL can be used with Model 301A Foot Switch–120.

1. With dry hands plug the 301A Foot Switch into a properly grounded outlet or extension cord.
2. Confirm that the 122 or 122XL machine ON/OFF switch is in OFF (O) position. Plug the 122 or 122XL machine plug into the foot switch receptor.
3. Turn the ON/OFF switch to ON (I) position.
4. With hands clear of all rotating parts, press the foot switch and confirm that the foot switch controls the machine operation. Release the foot switch and let the machine come to a complete stop. Move the ON/OFF switch to the OFF (O) position.

## Operating Instructions

### ⚠ WARNING



**Always wear appropriate eye protection to protect your eyes against dirt and other foreign objects.**

**Do not wear gloves or loose clothing. Keep sleeves and jackets buttoned. Clothing can be caught in rotating rollers or tools and cause crushing injuries.**

**Keep fingers and hands away from rotating rollers, reamer, wire brushes and tube. This reduces the risk of entanglement and cutting injuries**

**Properly support long lengths of tubing. This reduces the risk of tipping or falling tube.**

**Do not cut visibly bent tubing or tubing with fittings attached. Reduces the risk of excessive vibration and loss of control of the tubing.**

**Follow operating instructions to reduce the risk of injury from electrical shock, entanglement, crushing and other causes and prevent machine damage.**

1. Confirm that the copper cutting and prep machine and work area are properly set up and the work area is free of bystanders and other distractions.
2. Assume a proper operating position to help maintain control the machine and process:
  - Be sure you have convenient access to the ON/OFF switch or can control the ON/OFF action of the foot switch if used.
  - Be sure that you have good balance, do not have to overreach, and cannot fall on the machine or other hazards.

- Keep hands and fingers away from reamer, wire brushes and ends of the tubing.

This operating position will help to maintain control of tubing and the machine.

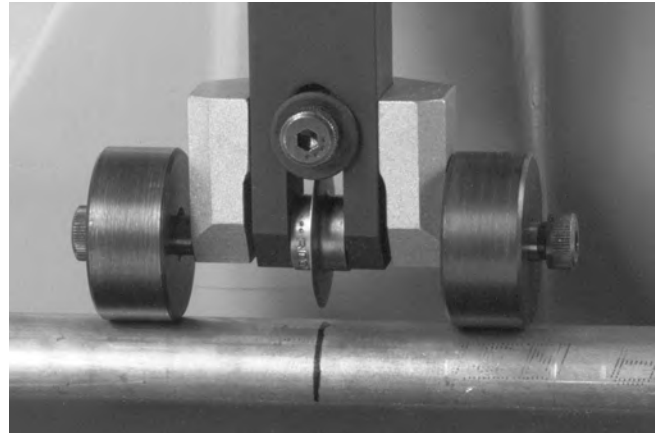
### Cutting Tubes

1. Check that the tubing is not visibly bent and no fittings are attached. Cutting bent tubes or tubes with fittings can result in excessive vibration and loss of control. Use a hand cutter if needed. Mark the tubing at the desired length. For convenience, a measuring scale is provided on the machine.
2. Position the cutter handle to provide clearance for the tubing. To adjust the cutter wheel position, move handle to the right and relocate position pin by moving handle up or down according to the arrow marks shown on the handle label (see *Figure 8*).



**Figure 8 – Adjusting Handle Position**

3. Place the tubing on the rollers so that the cutting mark is located under the cutter wheel, on the zero mark of the scale. If the tubing extends beyond the machine, position supports under the tube. Supports should be adjusted so the tube sits squarely on the rollers. This will help insure proper tracking of the cut.
4. Lower the handle until the cutter wheel support rollers contact the tubing (*Figure 9*). Align the cutter wheel with the mark on the tubing.



**Figure 9 – Cutter Wheel Support Rollers Contacting Tubing**

5. Turn the ON/OFF switch to ON (I) position. The rollers and the tube will start to rotate. Keep hands way from rotating parts.



**Figure 10 – Cutting Tubing**

6. Apply downward force to the handle slowly and continuously until the tubing is cut. Aggressive cutting can damage the cutter wheel and cause excessive burrs.
7. Reduce force on the handle maintaining the support rollers in contact with the tubing. The rollers help hold the tubing in place.
8. Turn the ON/OFF switch to OFF (O) position.

- When tubing stops rotating, remove from the machine. Raise the cutter handle.

### Cleaning/Deburring O.D. of Tube

- Turn ON/OFF switch to ON (I) position. Keep hands away from the tube ends and rotating parts.
- Place the end of tube on the rest plate. Properly support the tube to help maintain control.
- For cleaning: Gently press the tube against the brush and rotate slowly until the surface is bright (*Figure 11*).



Figure 11 – Cleaning Tube O.D.

- For deburring: Gently press the tube end against the deburring disk to remove external burrs. Rotate the tube against deburring disk (*Figure 12*). This also bevels the end of the tube for easier insertion into fitting.



Figure 12 – Deburring O.D. Of Tube

- Turn the ON/OFF switch to OFF (O) position.

### Reaming I.D. of Tube

- Turn ON/OFF switch to ON (I) position. Keep hands away from tube ends and rotating parts.
- Securely grasp the tube. Properly support the tube to help maintain control.

- Place the tubing over the reamer cone and gently apply pressure (*Figure 13*). Do not force the tube into the reamer. This will remove burrs from inside of the tubing. The maximum reaming capacity is 2" (54 mm) tubing. Do not try to deburr larger tubes.



Figure 13 – Reaming I.D. of Tube

- Turn the ON/OFF switch to OFF (O) position.

### Cleaning Inside of Fittings

- Check that the installed brush is the correct size for the fitting diameter. New brushes (up to 3" size) are similar in size to the tube O.D. If needed, install correct size fitting brush on the quick-change collet as described in "Fitting Brushes and Holder" section of Tool Assembly.
- Turn ON/OFF switch to ON (I) position.
- Keep fingers away from brush. Push fitting over the rotating brush (*Figure 14*). Hold the fitting securely to prevent rotation and press O.D. of the fitting against the O.D. of the brush. Continue until fitting I.D. is clean, then pull fitting off of brush.
- Turn the ON/OFF switch to OFF (O) position.



Figure 14 – Cleaning Inside of Fittings

## Maintenance Instructions

### ⚠ WARNING

**Make sure that the ON/OFF switch is in the OFF position and the machine is unplugged before performing any maintenance or making any adjustments.**

**Maintain tool according to these procedures to reduce the risk of injury from electrical shock, entanglement and other causes.**

### Cleaning

Gently clean the machine after each use with a clean dry cloth. Keep the rollers clean and free from dirt and debris.

Keep the reamer, brush, cutter wheel and deburring disk clean and free from chips for maximum efficiency.

### Lubrication

Keep a light coat of lubricating oil on the rack and pinion, the cutter wheel shaft, and the guide roller shafts. Wipe up any excess oil.

### Adjusting Rack Tension

Use a  $\frac{5}{32}$ " hex key to tighten or loosen rack tension set screw (Figure 15) as desired. Typically it is set just tight enough to prevent rack movement under its own weight.

### Cutter Wheel Replacement

Replace the cutter wheel when the cutting edge becomes chipped or flat.

1. Loosen the shoulder bolt and remove the roller and slide assembly (Figure 15). Do not remove the shoulder bolt, this keeps the tension spring in place.

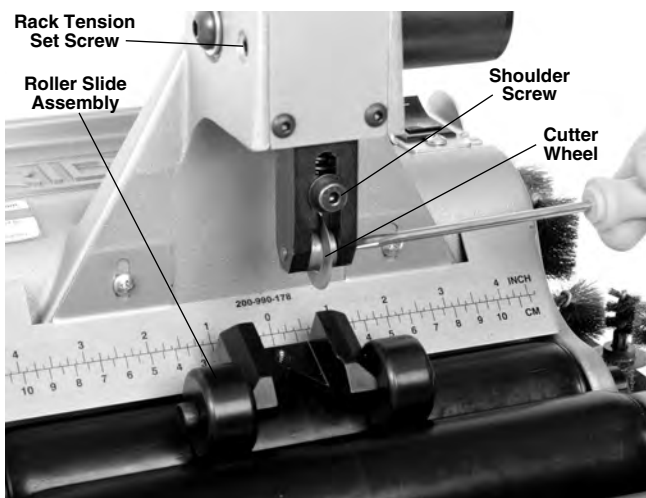


Figure 15 – Remove Cutter Wheel Screw

2. Remove cutter wheel screw and replace the cutter wheel (Figure 15). See Accessories section for available cutter wheels.
3. Reinstall the roller and slide assembly and securely tighten the shoulder bolt.

### O.D. Brush Replacement

The O.D. Brush should be replaced when its bristles become uneven or too short to effectively clean the tubing. See Figure 5.

1. Hold the O.D. brush shaft stationary by gripping the flat located near the surface of the housing with a  $\frac{9}{16}$ " wrench.
2. Remove the  $\frac{1}{2}$ " nut and washer from the shaft and replace the brush.
3. Reinstall washer and nut and securely tighten.

### Reamer Blade Replacement

Replace reamer blade if it is damaged or dull.

1. Remove reamer from its shaft by loosening set screw with a  $\frac{5}{32}$ " hex key.
2. Unscrew two cap screws that hold the blade to the reamer cone. Replace the blade
3. Reinstall reamer onto the shaft and secure with  $\frac{5}{16}$ " set screw.

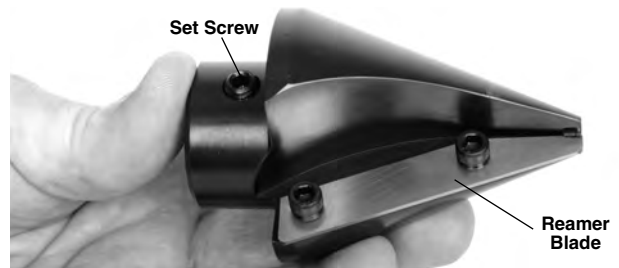


Figure 16 – Reamer

### Motor Thermal Overload

The motor is equipped with a thermal overload that turns off the motor if it gets too hot.

To reset the thermal overload, unplug machine and turn ON/OFF switch to the OFF (O) position and allow the motor to cool for 15 minutes. Use a thin, non-conductive probe to reach through the vent (*Figures 1 and 2*) to press the reset button (*Figure 17*).

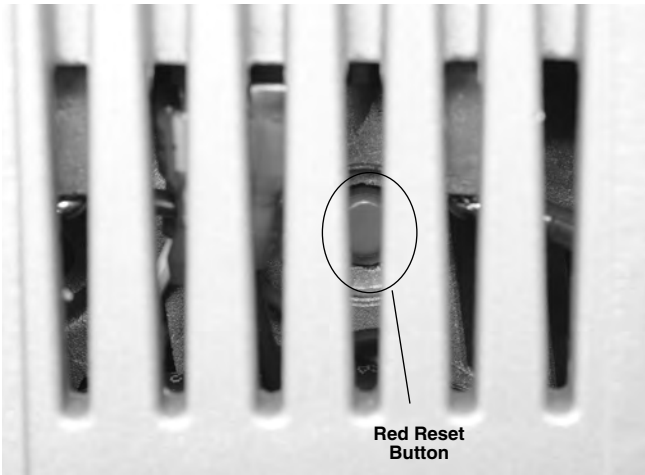


Figure 17 – Motor Reset Button

If motor does not start or the thermal overload continually trips during normal operation, the machine should be taken to RIDGID Authorized Service Center.

### Accessories

**⚠ WARNING**  
**To reduce the risk of serious injury, only use accessories specifically designed and recommended for use with the 122 and 122XL Copper Cutting and Prep Machines such as those listed below. Other Accessories suitable for use with other tools may be hazardous when used with the 122 and 122XL Copper Cutting and Prep Machines.**

Catalog No.	Model No.	Description
33175	2191	Cutter Wheel for Copper
34360	—	Wheel Screw for 2191 Cutter Wheel
33551	122SS	Cutter Wheel for Copper and Stainless Steel
10343	—	Wheel Pin for 33551 Cutter Wheel
46105	—	O.D. Deburring Disk
94682	—	O.D. Cleaning Brush
94687	—	2" Reamer Cone Assembly
36662	301A	Model 301A Foot Switch – 120V Only
42360	1206	1206 Stand
94692	—	Reamer Blade

### Fitting Brush and Holder

Catalog No.	Description
93747	Quick-Change Collet
93717	1/2" Fitting Brush (3 Per Pack)
93722	3/4" Fitting Brush (3 Per Pack)
93727	1" Fitting Brush (3 Per Pack)
93732	1 1/4" Fitting Brush (3 Per Pack)
93737	1 1/2" Fitting Brush (3 Per Pack)
93742	2" Fitting Brush (3 Per Pack)
12638	2 1/2" Fitting Brush (3 Per Pack) – 122XL Only
12643	3" - 4" Fitting Brush (3 Per Pack) – 122XL Only
93707	Fitting Brush Storage Kit Includes Mountable Storage Rack, Quick-Change Collet, Spare Cutter Wheel and Brushes (1/2", 3/4", 1", 1 1/4", 1 1/2", 2")
93712	Fitting Brush Holder

Further information on accessories specific to this tool can be found in the RIDGID Catalog and online at RIDGID.com or RIDGID.eu

### Machine Storage

**⚠ WARNING** The 122 and 122XL Copper Cutting and Prep Machines must be kept indoors or well covered in rainy weather. Store the machine in a locked area that is out of reach of children and people unfamiliar with the machines. These machines can cause serious injury in the hands of untrained users.

### Service and Repair

**⚠ WARNING**  
**Improper service or repair can make machine unsafe to operate.**

The "Maintenance Instructions" will take care of most of the service needs of this machine. Any problems not addressed by this section should only be handled by an authorized RIDGID service technician.

Tool should be taken to a RIDGID Independent Service Center or returned to the factory.

## Disposal

Parts of the 122 and 122XL Copper Cutting and Prep Machines contain valuable materials and can be recycled. There are companies that specialize in recycling that may be found locally. Dispose of the components in compliance with all applicable regulations. Contact your local waste management authority for more information.

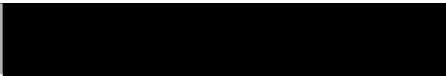


**For EC Countries:** Do not dispose of electrical equipment with household waste!

According to the European Guideline 2002/96/EC for Waste Electrical and Electronic Equipment and its implementation into national legislation, electrical equipment that is no longer usable must be collected separately and disposed of in an environmentally correct manner.

## Troubleshooting

SYMPTOM	POSSIBLE REASONS	SOLUTION
Excessive vibration during operation.	Cutting bent tubes on machine. ----- Long tubes not properly supported. ----- Machine not properly mounted.	Do not cut visibly bent tubes on machine. Use hand cutter, or straighten tubes before cutting. ----- Support longer tubes with pipe stands. ----- Properly mount the machine on flat surface, bolt with the mounting bolts.
Machine not cutting tubes properly.	Worn blades or cutter wheel. ----- Use on incorrect tube size or material.	Replace worn blades or cutter wheel. ----- Use on correct type of tubes ( <i>see Specifications</i> ).
Machine stalls while cutting.	Applying excessive force on the handle while cutting.	Gently apply force on the handle.
Excessive tube burrs or end deformation.	Worn or damaged cutter wheel. ----- Applying excessive force on the handle while cutting.	Replace cutter wheel. ----- Gently apply force on the handle.

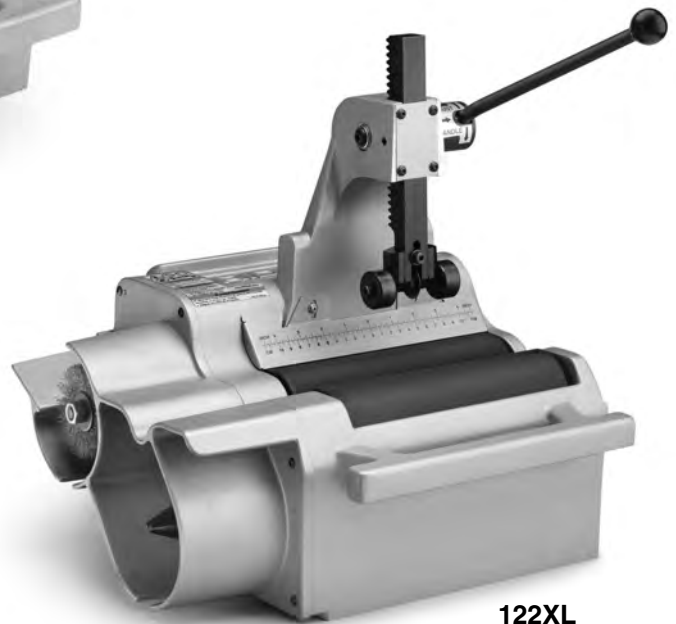




## Machines de coupe et de préparation du cuivre



122



122XL

### **AVERTISSEMENT**

Familiarisez-vous avec ce mode d'emploi avant d'utiliser l'appareil. Tout manque de compréhension ou de respect des consignes ci-après augmenterait les risques de choc électrique, d'incendie et/ou de graves lésions corporelles.

### Machines de coupe et de préparation du cuivre

Notez ci-dessous le numéro de série indiqué sur la plaque signalétique de l'appareil pour future référence.

N° de  
série

--

## Table des matières

Fiche d'enregistrement du numéro de série de la machine.....	15
Symboles de sécurité .....	17
<b>Consignes de sécurité générales applicables aux appareils électriques</b>	
Sécurité des lieux.....	17
Sécurité électrique .....	17
Sécurité individuelle .....	18
Utilisation et entretien des appareils électriques .....	18
Service après-vente .....	19
<b>Consignes de sécurité spécifiques</b>	
Sécurité des machines de coupe et de préparation du cuivre .....	19
<b>Description, caractéristiques techniques et équipements de base</b>	
Description .....	19
Équipements de base .....	20
Caractéristiques techniques.....	20
Icones .....	21
<b>Assemblage de l'appareil</b>	
Montage des brosses et du porte-brosses.....	21
Disque d'ébarbage externe .....	21
<b>Inspection préalable.....</b>	22
<b>Préparation de la machine et des lieux .....</b>	23
Utilisation de la pédale de commande (modèle 120V uniquement).....	24
<b>Consignes d'utilisation</b>	
Coupe des tubes et tuyaux .....	24
Nettoyage et ébarbage externe des tubes.....	25
Alésage des tubes .....	26
Nettoyage interne des raccords .....	26
<b>Consignes d'entretien</b>	
Nettoyage.....	27
Lubrification .....	27
Réglage de la crémaillère .....	27
Remplacement du galet de coupe .....	26
Remplacement de la brosse externe .....	27
Remplacement de la lame d'alésoir.....	27
Protection thermique du moteur.....	27
<b>Accessoires .....</b>	28
<b>Stockage .....</b>	28
<b>Révisions et réparations .....</b>	28
<b>Recyclage .....</b>	29
<b>Dépannage .....</b>	29
<b>Déclaration de conformité CE .....</b>	recto de la page de garde
<b>Garantie à vie .....</b>	page de garde

\*Traduction de la notice originale

## Symboles de sécurité

Les symboles et mots clés utilisés à la fois dans ce mode d'emploi et sur l'appareil lui-même servent à signaler d'importants risques de sécurité. Ce qui suit permettra de mieux comprendre la signification de ces mots clés et symboles.



Ce symbole sert à vous avertir de risques d'accident potentiels. Le respect des consignes qui le suivent vous permettra d'éviter les risques d'accident grave ou potentiellement mortel.



Le terme DANGER signifie une situation dangereuse qui, faute d'être évitée, provoquerait la mort ou de graves blessures corporelles.



Le terme AVERTISSEMENT signifie une situation dangereuse potentielle qui, faute d'être évitée, serait susceptible d'entraîner la mort ou de graves blessures corporelles.



Le terme ATTENTION signifie une situation dangereuse potentielle qui, faute d'être évitée, serait susceptible d'entraîner des blessures corporelles légères ou modérées.



Le terme AVIS IMPORTANT indique des informations concernant la protection des biens.



Ce symbole indique la nécessité de bien se familiariser avec la notice d'emploi avant d'utiliser ce matériel. La notice d'emploi renferme d'importantes consignes de sécurité et d'utilisation du matériel.



Ce symbole impose le port systématique de lunettes de sécurité à ?illères lors de la manipulation ou utilisation de ce matériel afin de limiter les risques de lésion oculaire.



Ce symbole signale un risque d'entraînement des doigts, jambes, vêtements ou autres objets portés dans le mécanisme.



Ce symbole signale un risque de coupure des mains des doigts ou autres parties du corps en cas de contact avec un alésoir, une brosse rotative ou autre mécanisme.



Ce symbole signale un risque de blessure en cas de renversement de l'appareil.



Ce symbole signale un risque de choc électrique.



Ce symbole interdit le port de gants lors de l'utilisation de la machine afin de limiter les risques d'enchevêtrement.

## Consignes générales de sécurité applicables aux appareils électriques\*

### AVERTISSEMENT

**Familiarisez-vous avec l'ensemble des consignes de sécurité, instructions, illustrations et caractéristiques techniques fournies avec cet appareil électrique. Le non-respect des consignes ci-dessous augmenterait les risques de choc électrique, d'incendie et/ou de grave blessure corporelle.**

**Conservez l'ensemble des consignes de sécurité et d'utilisation pour future référence !**

Le terme « appareil électrique » utilisée dans les consignes de sécurité s'applique à la fois aux appareils électrique sur secteur et à piles.

### Sécurité des lieux

- Assurez-vous de la propreté et du bon éclairage

**des lieux.** Les chantiers encombrés ou mal éclairés sont une invitation aux accidents.

- **N'utilisez pas d'appareils électriques en présence de substances volatiles telles que liquides, gaz ou poussières combustibles.** Ce type de matériel risque de produire des étincelles susceptibles d'enflammer les poussières et émanations combustibles.
- **Eloignez les enfants et les curieux durant l'utilisation des appareils électriques.** Les distractions risquent de vous faire perdre le contrôle de l'appareil.

### Sécurité électrique

- **La fiche du cordon d'alimentation de l'appareil doit être adaptée à la prise de courant utilisée. Ne jamais utiliser d'adaptateur sur un appareil électrique avec terre.** L'emploi de fiches non modifiées et de prises appropriées limitera les risques de choc électrique.
- **Évitez tout contact avec des objets reliés à la terre**

\* Imposé d'office, le texte utilisé dans la section intitulée « Consignes générales de sécurité applicables aux appareils électriques » de ce manuel est extrait verbatim de la norme EN 62841-1. Cette section couvre des mesures de sécurité générales applicables à de nombreux types d'appareils électriques divers. Les consignes affichées ne sont pas nécessairement applicables à l'ensemble des appareils, et certaines d'entre-elles ne sont pas applicables à cet appareil.

tels que canalisations, radiateurs, cuisinières et réfrigérateurs. Tout contact avec la terre augmenterait les risques de choc électrique.

- **N'exposez pas l'appareil à la pluie ou aux intempéries.** Toute pénétration d'eau à l'intérieur d'un appareil électrique augmenterait les risques de choc électrique.
- **Ne maltraitez pas le cordon d'alimentation de l'appareil. Ne jamais porter, tirer ou débrancher l'appareil par son cordon d'alimentation.** Les cordons d'alimentation endommagés ou entortillés augmentent les risques de choc électrique.
- **Lors de l'utilisation d'un appareil électrique à l'extérieur, prévoyez une rallonge électrique appropriée.** Les rallonges électriques prévues pour une utilisation à l'extérieur limitent les risques de choc électrique.
- **Lorsque l'utilisation d'un appareil électrique dans un lieu humide est inévitable, prévoyez une alimentation équipée d'un disjoncteur différentiel.** L'utilisation d'un disjoncteur différentiel limite les risques de choc électrique.

### Sécurité individuelle

- **Soyez attentif, restez concentré et faites preuve de bon sens lors de l'utilisation de ce type d'appareil. Ne jamais utiliser ce matériel lorsque vous êtes fatigué ou sous l'influence de drogues, de l'alcool ou de médicaments.** Lors de l'utilisation d'un appareil électrique, un instant d'inattention risque d'entraîner de graves lésions corporelles.
- **Prévoyez les équipements de protection individuelle appropriés. Portez systématiquement une protection oculaire.** Selon le cas, le port d'un masque à poussière, de chaussures de sécurité antidérapantes, du casque ou d'une protection auriculaire peut aider à limiter les risques de lésion corporelle.
- **Évitez les démarrages accidentels. Assurez-vous que l'interrupteur se trouve en position « arrêt » avant de brancher l'appareil, d'y introduire un bloc-piles ou de le porter.** Le fait de porter un appareil électrique avec son doigt sur la gâchette ou de l'alimenter lorsque son interrupteur est en position « marche » est une invitation aux accidents.
- **Retirez toute clé ou dispositif de réglage éventuel avant de mettre l'appareil en marche.** Une clé ou tout autre dispositif de réglage engagé sur un élément mécanique pourrait provoquer un accident.
- **Ne vous mettez pas en porte-à-faux. Maintenez une bonne assiette et un bon équilibre à tout moment.**

Cela assurera un meilleur contrôle de l'appareil en cas d'imprévu.

- **Habillez-vous de manière appropriée. Ne portez ni accessoires, ni bijoux. Éloignez vos cheveux, vos vêtements et vos gants des mécanismes lorsque l'appareil fonctionne.** Les foulards, les bijoux et les cheveux longs risquent d'être entraînés par les mécanismes en rotation.
- **En présence d'un système d'extraction et de récupération de poussière, assurez-vous que celui-ci est correctement raccordé et utilisé.** La récupération de poussière peut limiter les risques d'incidents liés à la poussière.
- **Ne laissez pas la familiarité issue d'une utilisation fréquente de l'appareil vous rendre complaisant au point d'ignorer les principes de sécurité applicables.** Le moindre faux-pas peut occasionner de graves blessures dans une fraction de seconde.

### Utilisation et entretien de l'appareil

- **Ne pas forcer l'appareil. Prévoyez l'appareil le mieux adapté aux travaux envisagés.** Un appareil adapté produira de meilleurs résultats et un meilleur niveau de sécurité lorsqu'il fonctionne au régime prévu.
- **Ne pas utiliser d'appareil dont l'interrupteur marche/arrêt ne fonctionne pas correctement.** Tout appareil qui ne peut pas être contrôlé par son interrupteur est considéré dangereux et doit être réparé.
- **Débranchez l'appareil et/ou retirez son bloc-piles amovible avant tout réglage, changement d'accessoires ou stockage de l'appareil.** De telles mesures de sécurité préventives limiteront les risques de démarrage accidentel de l'appareil.
- **Ranger tout appareil non utilisé hors de la portée des enfants. L'utilisation de cet appareil doit être exclusivement réservé à du personnel compétent.** Ce type d'appareil peut devenir dangereux entre les mains d'un novice.
- **Assurer l'entretien approprié de l'appareil. S'assurer de l'absence d'éléments grippés ou endommagés, voire toute autre anomalie susceptible de nuire au bon fonctionnement et à la sécurité de l'appareil. Ne pas utiliser d'appareil endommagé avant sa réparation.** De nombreux accidents sont le résultat d'appareils mal entretenus.
- **Assurez l'entretien de l'appareil et de ses accessoires.** Des outils de coupe correctement entretenus et affûtés sont moins susceptibles de se gripper et sont plus faciles à contrôler.

- **Utilisez cet appareil électrique, ses accessoires, ses mèches, etc. selon les consignes ci-présentes, tout en tenant compte des conditions d'intervention et du type de travail envisagé.** L'emploi d'un appareil électrique à des fins autres que celles prévues pourrait entraîner une situation dangereuse.
- **Assurez la parfaite propreté des poignées et autre surfaces de prise-en-main de l'appareil.** Des poignées et autres surfaces de prise en main glissantes pourraient limiter votre contrôle de l'appareil en cas d'imprévu.

### Service après-vente

- **Confiez la révision de tout appareil électrique à un réparateur qualifié se servant exclusivement de pièces de rechange identiques aux pièces d'origine.** Cela assurera la sécurité opérationnelle de l'appareil.

## Consignes de sécurité spécifiques

### ⚠ AVERTISSEMENT

**La section suivante contient d'importantes consignes de sécurité visant ce type d'appareil en particulier.**

**Afin de limiter les risques de choc électrique et autres lésions corporelles graves, familiarisez-vous avec celles-ci avant d'utiliser les machines de coupe et de préparation du cuivre type 122 et 122XL.**

### CONSERVEZ CES CONSIGNES !

Gardez cette notice à portée de main de tout utilisateur éventuel.

### Sécurité des machines de coupe et de préparation du cuivre

- **Ne jamais porter de gants ou de vêtements amples. Boutonnez vos manches et vos blousons.** Les vêtements entraînés par les galets d'entraînement ou les outils rotatifs pourraient écraser vos membres.
- **Arrimez la machine à un établi ou un support stable et soutenez les tubes de manière appropriée.** Cela limitera les risques de renversement des tubes ou de la machine, et des graves blessures qui pourraient s'en suivre.
- **En cours d'opération, éloignez vos doigts et vos mains des galets, de l'alésoir, des brosses métalliques, du disque d'ébarbage et du tube.** Cela limitera les risques d'enchevêtrement et de coupure.
- **Ne jamais couper de tubes tordus ou équipés de raccords.** Cela limitera les vibrations excessives et

les risques de perte de contrôle de la machine et/ou du tube.

- **Cette machine ne doit être utilisée que pour la coupe, le nettoyage et l'ébarbage des tubes en cuivre ou en acier inoxydable comme indiqué ci-après.** Ne jamais utiliser ou modifier cette machine à d'autres fins. L'utilisation à des fins non prévues augmenterait les risques de blessure grave.
- **Avant d'utiliser cette machine, familiarisez-vous avec les consignes d'utilisation et de sécurité applicables à l'ensemble du matériel utilisé.** Le non-respect des consignes applicables augmenterait les risques de dégâts matériels et de blessure corporelle grave.

## Description, caractéristiques techniques et équipements de base

### Description

Les machines de coupe et de préparation du cuivre types 122 et 122XL sont prévues pour la coupe, le nettoyage et l'ébarbage des tubes et raccords en cuivre types K, L et M. Equipées d'un galet de coupe spécial, ces machines peuvent également servir à la coupe et ébarbage des tubes en acier inoxydable d'une épaisseur de paroi maximale de 0,065" (1,65 mm).

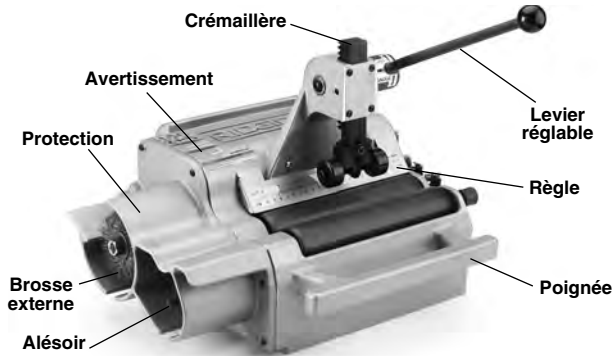
La coupe des tubes est effectuée par la rotation mécanique du tube à l'aide de galets d'entraînement, et le serrage manuel simultanée du galet de coupe à l'aide d'une crémaillère. Un levier de crémaillère réglable s'adapte aux différents diamètres de tube et une règle incorporée permet de mesurer les tubes. Un alésoir permet d'ébarber l'intérieur des tubes, tandis qu'une brosse assure leur nettoyage externe en prévision de leur raccordement. La machine peut également servir au nettoyage de l'intérieur des raccords à l'aide de brosses spécialement dimensionnées montées sur un raccord rapide. Un disque d'ébarbage sert à éliminer les bavures externes des tubes.

Les machines de coupe et de préparation du cuivre types 122 et 122XL ne sont pas prévues pour la coupe des tuyaux.

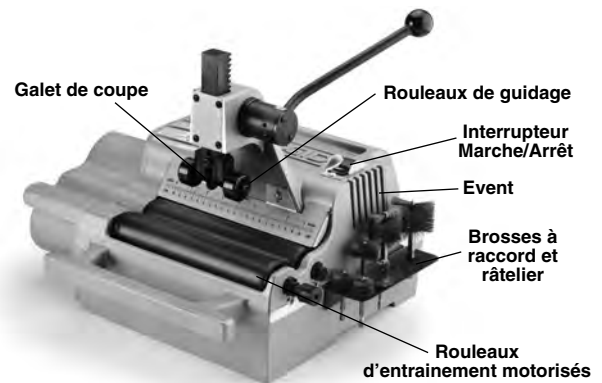
## Equipements de base

Les machines de coupe et de préparation du cuivre sont livrées avec les équipements suivants :

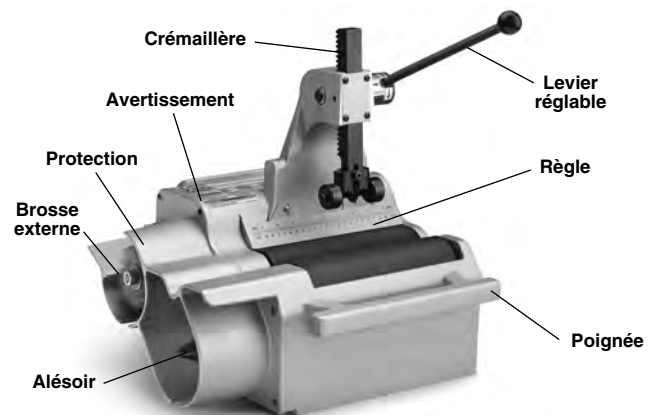
- Brosse de nettoyage externe
- Alésoir conique
- Disque d'ébarbage externe (122XL uniquement)
- Nécessaire de brosses à raccords (122 uniquement)
- Mode d'emploi



Figures 1A – Machine de coupe et de préparation du cuivre modèle 122



Figures 1B – Machine de coupe et de préparation du cuivre modèle 122



Figures 2A – Machine de coupe et de préparation du cuivre modèle 122XL

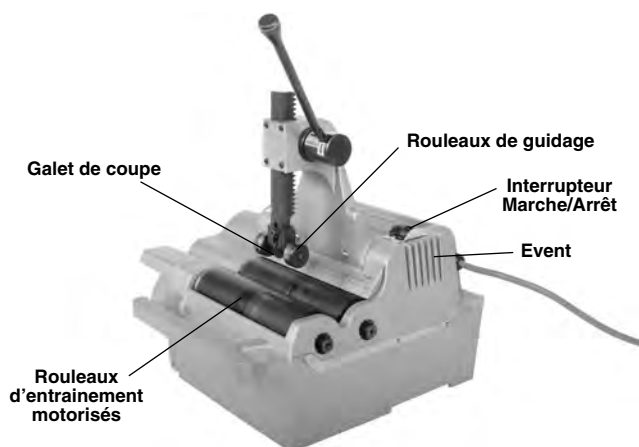
## Caractéristiques techniques

Paramètre	122	122XL
Capacité	1/2" à 2" (12 mm à 54 mm)	1/2" à 4" (12 mm à 108 mm)
Tubes et raccord cuivre	ASTM B88 types K, L et M	ASTM B88 types K, L et M
Tubes acier inoxydable	Épaisseur de paroi maxi : 0,065" (1,65 mm)	Épaisseur de paroi maxi : 0,065" (1,65 mm)
Galet de coupe	Modèle 2191 HD (STD 115V) Modèle 122 SS (STD, 100V, 230V)	Modèle 122 SS
Alésoir	Conique, à simple tranchant à droite, 1/2" à 2" (12 mm à 54 mm)	Conique, à simple tranchant à droite, 1/2" à 2" (12 mm à 54 mm)
Régime galet	450 t/min.	300 t/min.
Type de moteur	Moteur à induction	Moteur à induction
Puissance nominale en 100V	100/200V, 50 Hz, 5,4/2,7 A	
Puissance nominale en 115V	115V, 60 Hz, 1/3 CV, 3,2 A	115V, 60 Hz, 1/3 CV, 3,2 A
Puissance nominale en 220/240V	220-240V, 50/60Hz, 2,2A	220-240V, 50/60Hz, 2,2A
Interrupteur marche/arrêt	Va-et-vient	Va-et-vient
Poids	50 livres (22,7 kg)	72 livres (32,7 kg)
Dimensions	14.6" x 16.8" x 15.1" (370 x 427 x 383 mm)	16.5" x 17.1" x 15.0" (419 x 434 x 381 mm)
Pression sonore (L <sub>PA</sub> )*	75 dB(A), K=3	75 dB(A), K=3

\* Le niveau sonore est mesuré selon les épreuves standardisées de la norme EN-62481-1.

- Le niveau sonore risque de varier en fonction de la localité et utilisation spécifique de l'appareil.

- L'exposition quotidienne au niveau sonore doit être établie pour chaque application en vue de prendre, le cas échéant, les mesures de sécurité applicables. Cette évaluation doit prendre en compte les périodes durant lesquelles l'appareil est éteint et non utilisé. Cela pourrait considérablement réduire le niveau d'exposition au cours de la période d'utilisation globale.



Figures 2B – Machine de coupe et de préparation du cuivre modèle 122XL

Le numéro de série de la machine se trouve au dos de l'appareil. Les 4 derniers chiffres indiquent le mois et l'année de fabrication (08 = mois, 15 = année).



Figure 3 – Numéro de série de la machine

## Icones

Marche

Arrêt

**AVIS IMPORTANT** La sélection des matériaux et des moyens d'installation, de raccordement et de façonnage est du ressort du bureau d'études et/ou de l'installateur concerné(s). Le choix de matériaux et de méthodes de mise en œuvre inappropriés pourrait entraîner la défaillance du réseau.

L'acier inoxydable et autres matériaux résistants à la corrosion risquent d'être contaminés en cours d'installation, de raccordement et de façonnage. Une telle contamination augmenterait les risques de corrosion et de défaillance prématurée du réseau. Il convient donc d'effectuer une étude approfondie des matériaux et des méthodes employées en fonction des conditions d'utilisation spécifiques du réseau

(composition chimique et température du milieu, etc.) avant toute tentative d'installation.

## Assemblage de l'appareil

### ⚠ AVERTISSEMENT

Respectez les consignes d'assemblage suivantes afin de limiter les risques d'accident grave en cours d'utilisation.

**Mettez l'interrupteur Marche/Arrêt en position Arrêt et débranchez la machine avant son assemblage.**

### Brosses à raccords et râtelier (en option sur la 122XL)

1. Montez le râtelier des brosses à raccord sur le flanc de la machine à l'aide des vis fournies.
2. Engagez le mandrin à raccord rapide (Figure 4) sur la tête saillante de l'arbre du rouleau avant, puis serrez sa vis de blocage à l'aide d'une clé Allen de 1/4".
3. Tirez sur le collier du mandrin pour y introduire la queue de la brosse, puis lâchez-la pour verrouiller. Vérifiez le verrouillage de la brosse. Les brosses peuvent être remplacées de la même manière.

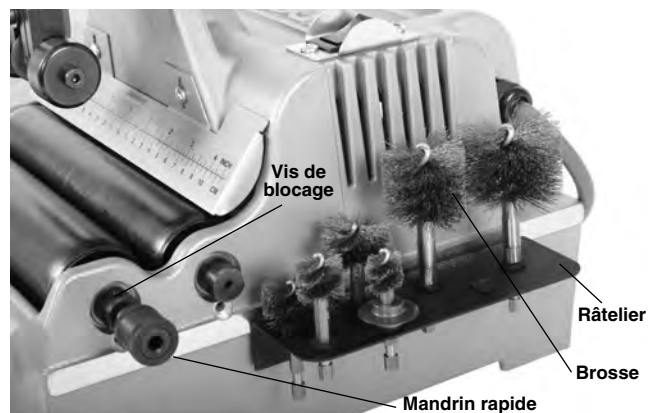


Figure 4 – Mandrin et brosse installés

### Disque d'ébarbage (optionnel sur la 122)

1. Immobilisez l'extrémité côté machine de la queue de la brosse externe en utilisant une clé de 9/16" pour tenir son méplat (Figure 5).
2. Dévissez et retirez l'écrou de 1/2" et sa rondelle, puis retirez la brosse et sa cale.
3. Enfoncez le disque d'ébarbage sur la queue avec son redan et sa référence (F-4697) vers la machine, puis réinstallez la brosse. La cale n'est pas utilisée lorsque le disque d'ébarbage est installé.

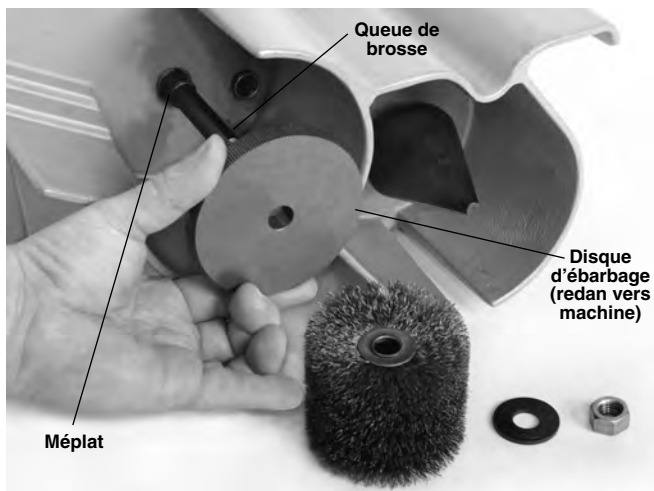


Figure 5 – Montage du disque d'ébarbage

4. Réinstallez la rondelle et l'écrou de 1/2", puis serrez à fond.

## Inspection préalable

### ⚠ AVERTISSEMENT



**Examinez la machine de coupe et de préparation du cuivre avant chaque intervention afin de détecter toute anomalie susceptible de l'endommager et d'augmenter les risques de choc électrique, d'enchevêtrement, d'écrasement ou autres blessures corporelles.**

1. Assurez-vous que la machine de coupe et de préparation du cuivre est débranchée et que son interrupteur se trouve en position « Arrêt » (O).
2. Nettoyez soigneusement la machine, ses poignées et ses commandes. Cela facilitera à la fois l'inspection et la prise en main de l'appareil. Nettoyez les rouleaux afin d'assurer le bon fonctionnement de la machine.
3. Les points suivants doivent faire partie de l'inspection :
  - Déterioration ou modification éventuelle du cordon d'alimentation et de sa fiche.
  - L'assemblage, l'entretien et l'intégrité de la machine.
  - Éléments endommagés, désalignés ou grippés.
  - Libre mouvement du levier réglable, de la crémaillère, du galet de coupe et des rouleaux de guidage.
  - Présence et lisibilité de la mise en garde (Figure 6).

- Toute autre anomalie qui pourrait nuire à la sécurité et au bon fonctionnement de la machine.

Toute anomalie constatée devra être rectifiée avant de continuer d'utiliser la machine de coupe et de préparation du cuivre.



Figure 6 – Mise en garde

4. Examinez le galet de coupe, l'alésoir, la ou les brosse(s) et les rouleaux de guidage pour signes d'usure ou de détérioration. Le cas échéant, remplacez l'élément défectueux avant d'utiliser la machine. Les outils émoussés, endommagés ou déformés peuvent nuire à la qualité de coupe ou de préparation, provoquer la formation de bavures excessives et ralentir les processus de coupe et de nettoyage.
5. Examinez et préparez tout autre matériel utilisé selon les consignes applicables.
6. Assurez-vous que l'interrupteur Marche/Arrêt se trouve en position « Arrêt » (O). Avec les mains sèches, branchez le cordon d'alimentation de l'appareil sur une prise avec terre appropriée.
7. Mettez l'interrupteur Marche/Arrêt en position « Marche » (I) et notez le sens de rotation des rouleaux. Si l'interrupteur ne contrôle pas le fonctionnement de la machine, n'utilisez pas la machine avant qu'il ne soit réparé. Vus du côté « alésoir » de la machine, les rouleaux devraient tourner en sens anti horaire. En cas de sens de rotation contraire, faites réparer la machine avant de l'utiliser à nouveau.
8. En fin d'inspection, mettez l'interrupteur Marche/Arrêt en position « Arrêt » (O), puis avec les mains sèches, débranchez l'appareil.



## Installation de la machine et du chantier

### ⚠ AVERTISSEMENT



L'installation du chantier et de la machine de coupe et de préparation du cuivre doit se faire selon les consignes suivantes afin d'éviter d'endommager l'appareil et limiter les risques de choc électrique, d'enchevêtrement, d'écrasement et autres blessures corporelles.

**Arrimez la machine sur un établi ou un support stable. Soutenez le tube de manière appropriée. Cela limitera les risques d'accident grave provoqué par le renversement du tube et/ou de l'appareil.**

**Eloignez vos doigts et vos mains de l'alésoir, des rouleaux de la brosse métallique, du disque d'ébarbage et du tuyau lorsqu'ils tournent. Cela limitera les risques d'enchevêtrement et de coupure.**

#### 1. Examinez les lieux pour :

- Un éclairage suffisant.
- La présence de liquides, émanations ou poussières potentiellement inflammables. Le cas échéant, ne travaillez pas dans la zone avant d'avoir identifié et éliminé le danger. La machine de coupe et de préparation du cuivre n'est pas blindée et risque de créer des étincelles.
- La présence d'une surface dégagée, de niveau, stable et sèche pour le poste de travail. N'utilisez pas la machine avec les pieds dans l'eau.
- La présence d'une prise électrique avec terre appropriée et disposant d'une tension d'alimentation adaptée. La présence d'une prise avec terre ou d'un disjoncteur différentiel ne garantit pas la mise à la terre appropriée du réseau électrique. En cas de doute, consultez un électricien.
- Un passage dégagé jusqu'à la prise électrique où rien ne risque d'endommager le cordon d'alimentation de l'appareil.

#### 2. Examinez le chantier en cours. Déterminez la composition, le type et la section des tubes nécessaires. Préparez le matériel adapté. Reportez-vous au titre « *Spécifications* » pour déterminer les outils nécessaires.

#### 3. Assurez-vous que le matériel prévu a bien été inspecté.

#### 4. Posez la machine soit sur une surface plane, de niveau et stable, soit sur un support type 1206. Le cas

échéant, assemblez le support 1206 selon les consignes applicables. Boulonnez la machine via les orifices d'arrimage qui se trouvent à l'arrière de l'appareil. Vérifiez la stabilité et l'immobilité de l'ensemble.



Figure 7 – 122XL sur support 1206

5. Lorsque le tube s'étend de plus de 6" au-delà de la machine, prévoyez un ou plusieurs porte-tubes pour le soutenir.
6. Limitez l'accès aux lieux ou installez des barricades pour laisser un minimum de 3 pieds (1 m) de dégagement autour de la machine et du tube. Cela limitera les risques d'enchevêtrement ou de renversement du tube ou de la machine par tierce personne interposée.
7. Vérifiez que l'interrupteur Marche/Arrêt se trouve en position « Arrêt » (O).
8. Faites courir le cordon d'alimentation le long du passage dégagé prévu. Avec les mains sèches, branchez la machine de coupe et de préparation du cuivre sur une prise de courant avec terre appropriée. Gardez toutes connexions au sec. Si le cordon d'alimentation de l'appareil n'est pas suffisamment long, prévoyez une rallonge électrique :
  - En bon état.
  - Equipée d'une prise avec terre adaptée à la fiche de la machine.

- Homologuée pour une utilisation à l'extérieur et comportant les indications W ou W-A (par ex., SOW) ou qui est conforme aux normes H05VV-F, H05RN-F ou IEC 53,60245 IEC 57.
- De section de conducteur suffisante (16 AWG (1,5 mm<sup>2</sup>) pour une longueur de 50' (15,20 m) maxi ou 14 AWG (2,5 mm<sup>2</sup>) pour 50' à 100' (15,20 m à 30,50 m) de longueur. Les conducteurs de section insuffisante risquent de surchauffer au point de voir fondre leur gaine isolante et provoquer des incendies ou autres dégâts.

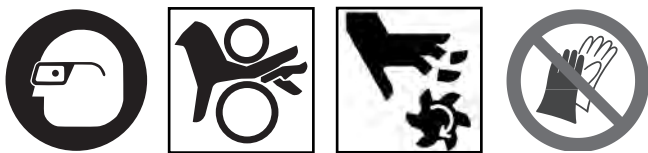
### Utilisation de la pédale de commande (modèle 120V uniquement)

La pédale de commande prévue pour les modèles 122 et 122XL en 120V facilite l'utilisation de la machine.

1. Avec les mains sèches, branchez la pédale de commande n° 301A sur une prise de courant ou rallonge électrique avec terre appropriée.
2. Vérifiez que l'interrupteur Marche/Arrêt de la 122 ou 122XL se trouve en position « Arrêt » (O). Branchez le cordon d'alimentation de la 122 ou 122XL sur la prise de la pédale de commande.
3. Mettez l'interrupteur Marche/Arrêt de l'appareil en position Marche (I).
4. Eloignez vos mains des éléments rotatifs de l'appareil, puis appuyez sur la pédale de commande pour vous assurer qu'elle contrôle bien le fonctionnement de la machine. Lâchez la pédale de commande et attendez que la machine s'arrête complètement avant de ramener l'interrupteur Marche/Arrêt en position « Arrêt » (O).

### Consignes d'utilisation

#### ⚠ AVERTISSEMENT



**Portez systématiquement une protection oculaire appropriée afin de protéger vos yeux contre la projection de débris et autres objets divers.**

**Ne jamais porter de gants ou de vêtements flottants. Boutonnez vos manches et vos blousons. Les vêtements pris dans les rouleaux ou outils rotatifs pourraient écraser vos membres.**

**Eloignez vos doigts et vos mains des rouleaux, de l'alésoir des brosses métalliques et du tube lors de leur rotation. Cela limitera les risques d'enchevêtrement et de coupure.**

**Soutenez les tubes de grande longueur de manière appropriée. Cela limitera les risques de renversement et de chute des tubes.**

**Ne jamais tenter de couper un tube visiblement tordu ou équipé de raccords. Cela limitera les vibrations excessives susceptibles de provoquer la perte de contrôle du tube.**

**Respectez les consignes d'utilisation ci-après afin d'éviter d'endommager l'appareil et de limiter les risques de choc électrique, enchevêtrement, écrasement et autres blessures potentielles.**

1. Vérifiez l'installation du chantier et de la machine de coupe et de préparation du cuivre, et assurez-vous de l'absence de tierces personnes ou autres distractions.
2. Tenez-vous de manière à pouvoir contrôler la machine et le tube durant l'opération en :
  - Vous assurant de pouvoir facilement atteindre l'interrupteur Marche/Arrêt ou, le cas échéant, la pédale de commande.
  - Vous assurant de pouvoir maintenir votre équilibre sans avoir à vous pencher sur la machine, sans risque de tomber sur elle, etc.
  - Eloignant vos mains et vos doigts de l'alésoir, des brosses métalliques et des extrémités du tube.

Une telle posture vous aidera à maintenir votre contrôle du tube et de la machine.

### Coupe des tubes et des tuyaux

1. Assurez-vous que le tube n'est pas tordu et qu'il ne comporte aucun raccord. La coupe de tubes tordus ou équipés de raccords peut occasionner des vibrations excessives et susceptibles d'entraîner la perte de contrôle de l'appareil. Au besoin, servez-vous d'un coupe-tubes manuel. Marquez le tube à la longueur voulue. Une règle incorporée à la machine permet de faciliter cette tâche.
2. Positionnez le levier de la crémaillère de manière à pouvoir introduire le tube. Pour régler le levier, poussez-le vers la droite afin de libérer sa broche de verrouillage, puis vers le haut ou le bas suivant les flèches pour la repositionner (Figure 8).



Figure 8 – Réglage du levier

3. Positionnez le tube sur les rouleaux de manière à ce que son tracé de coupe se trouve à l'aplomb du galet de coupe et face au repère « 0 » de la règle. Si le tube s'étend au-delà de la machine, prévoyez des porte-tubes pour le soutenir. Les porte-tubes doivent être réglés de manière à assurer l'assise complète du tube sur les rouleaux de la machine. Cela assurera une coupe franche et d'équerre.

4. Rabaissez le levier jusqu'à ce que les rouleaux de la crémaillère viennent reposer sur le tube (Figure 9). Alignez le galet de coupe sur le tracé du tube.

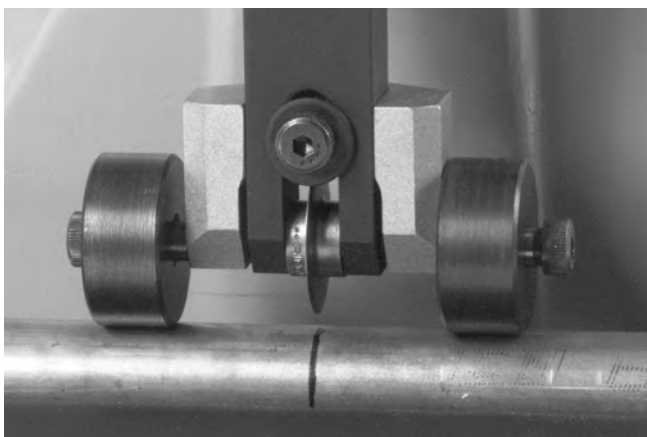


Figure 9 – Rouleaux de la crémaillère reposant sur le tube

5. Mettez l'interrupteur Marche/Arrêt en position « Marche » (I). Les rouleaux et le tube commenceront alors à tourner. Éloignez vos mains de tout élément en rotation.



Figure 10 – Coupe du tube

6. Appuyez sur le levier de crémaillère lentement et régulièrement jusqu'à ce que le tube soit sectionné. Une coupe agressive peut endommager le galet de coupe et laisser des bavures excessives.
7. Réduisez votre appui sur le levier, tout en maintenant les rouleaux de crémaillère en contact avec le tube afin de le maintenir en position.
8. Mettez l'interrupteur Marche/Arrêt en position « Arrêt » (O).
9. Lorsque le tube cesse de tourner, retirez-le de la machine, puis relevez le levier de crémaillère.

### Nettoyage et ébarbage externe du tube

1. Mettez l'interrupteur Marche/Arrêt en position « Marche » (I). Éloignez vos mains des extrémités du tube et des éléments en rotation.
2. Posez l'extrémité du tube sur la plaque d'appui. Soutenez le tube afin d'en garder le contrôle.
3. Nettoyage : Amenez délicatement le tube contre la brosse et faites-le tourner lentement jusqu'à ce qu'il brille (Figure 11).



**Figure 11 – Nettoyage externe du tube**

4. Ebarbage : Appuyez délicatement l'extrémité du tube contre le disque d'ébarbage jusqu'à élimination des bavures éventuelles. Faites tourner le tube contre le disque d'ébarbage (*Figure 12*) afin de le biseauter et faciliter son introduction dans le raccord.



**Figure 12 – Ebarbage externe du tube**

5. Mettez l'interrupteur Marche/Arrêt en position « Arrêt » (O).

### **Alésage interne des tubes**

1. Mettez l'interrupteur Marche/Arrêt en position « Marche » (I). Eloignez vos mains des extrémités du tube et des éléments en rotation.
2. Tenez le tube fermement. Soutenez le tube de manière appropriée afin d'en maintenir le contrôle.
3. Engagez le tube sur l'alésoir conique en appuyant délicatement (*Figure 13*). Ne forcez pas le tube sur l'alésoir. Cette opération sert à éliminer les bavures internes du tube. La capacité nominale maximale d'alésage est de 2" (54 mm). Ne tentez pas d'aléser des tubes d'un diamètre supérieur.



**Figure 13 – Alésage interne du tube**

4. Mettez l'interrupteur Marche/Arrêt en position « Arrêt » (O).

### **Nettoyage interne des raccords**

1. Assurez-vous que le diamètre de la brosse installée correspond bien au diamètre du raccord. Le diamètre des brosses neuves est sensiblement égal à celui de l'extérieur du tube. Au besoin, montez la brosse à raccords appropriée sur le mandrin rapide comme indiqué sous le titre « Brosses à raccords et râtelier » du chapitre « Assemblage de l'appareil ».
2. Mettez l'interrupteur Marche/Arrêt en position « Marche » (I).
3. Eloignez vos doigts de la brosse. Enflez le raccord sur la brosse (*Figure 14*). Tenez le raccord fermement afin de l'empêcher de tourner, puis appuyez-le contre la brosse. Continuez jusqu'à ce que le raccord soit propre, puis retirez-le de la brosse.
4. Mettez l'interrupteur Marche/Arrêt en position « Arrêt » (O).



**Figure 14 – Nettoyage interne des raccords**

## Consignes d'entretien

### ⚠ AVERTISSEMENT

**S'assurer que l'interrupteur Marche/Arrêt est en position « Arrêt » et que la machine est débranchée avant tout entretien ou réglage de la machine.**

**Entretenez l'appareil selon les consignes suivantes afin de limiter les risques de choc électrique, d'enchevêtrement et autres risques d'accident.**

### Nettoyage

Essuyez délicatement la machine à l'aide d'un chiffon propre et sec après chaque intervention. Éliminez toutes traces de crasse et de débris des rouleaux.

Nettoyez l'alésoir, les brosses, le galet de coupe et le disque d'ébarbage afin d'assurer des performances optimales.

### Lubrification

Appliquez une légère couche d'huile minérale sur la crémaillère, l'axe du galet de coupe et les axes des rouleaux de guidage. Éliminez les excédents d'huile éventuels.

### Réglage de la tension de la crémaillère

Utilisez une clé Allen de  $\frac{5}{32}$ " pour éventuellement serrer ou desserrer la vis de freinage de la crémaillère (Figure 15). En générale, celle-ci doit être à peine suffisamment serrée pour empêcher le déplacement de la crémaillère sous son propre poids.

### Remplacement du galet de coupe

Remplacez le galet de coupe dès qu'il est ébréché ou émoussé.

1. Desserrez le boulon d'épaulement suffisamment pour retirer l'ensemble rouleaux et coulisse (Figure 15). Ne retirez pas le boulon d'épaulement lui-même, car il sert aussi à maintenir le ressort de tension en place.

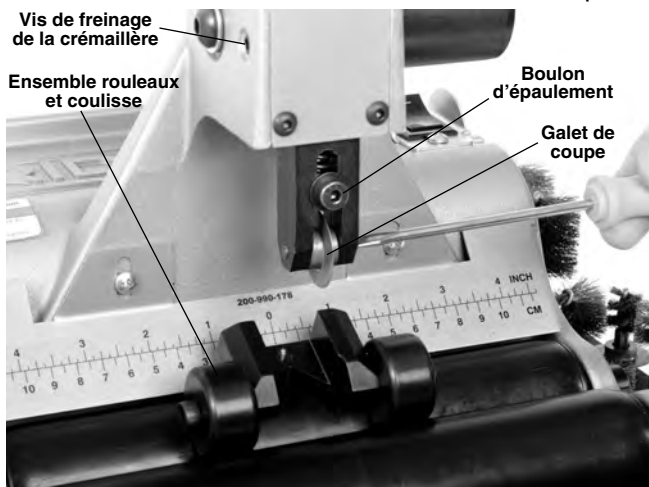


Figure 15 – Retrait de l'axe fileté du galet de coupe

2. Retirez l'axe fileté du galet de coupe et remplacez le galet de coupe (Figure 15). Reportez-vous au chapitre « Accessoires » pour les galets de coupe disponibles.
3. Réinstallez l'ensemble rouleaux et coulisse, puis serrez le boulon d'épaulement à fond.

### Remplacement de la brosse externe

La brosse externe doit être remplacée dès qu'elle devient trop usée ou déformée pour nettoyer les tubes efficacement. *Se reporter à la Figure 15.*

1. Immobilisez l'extrémité de la queue de la brosse externe à l'aide d'une clé plate de  $\frac{9}{16}$ ".
2. Retirez l'écrou de  $\frac{1}{2}$ " et la rondelle de retenue de la brosse, puis remplacez la brosse.
3. Réinstallez la rondelle et l'écrou, puis serrez à fond.

### Remplacement de la lame de l'alésoir

Remplacez la lame de l'alésoir dès qu'elle est endommagée ou émoussée.

1. Desserrez la vis de blocage de l'alésoir à l'aide d'une clé Allen de  $\frac{5}{32}$ " afin de le retirer de son arbre.
2. Desserrez les deux vis de retenue de la lame d'alésage. Remplacez la lame.
3. Réinstallez l'alésoir sur son arbre, puis resserrez la vis de blocage de  $\frac{5}{16}$ ".

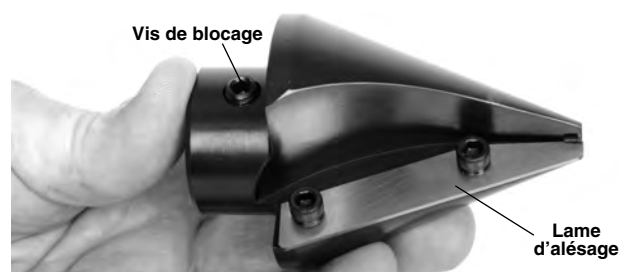
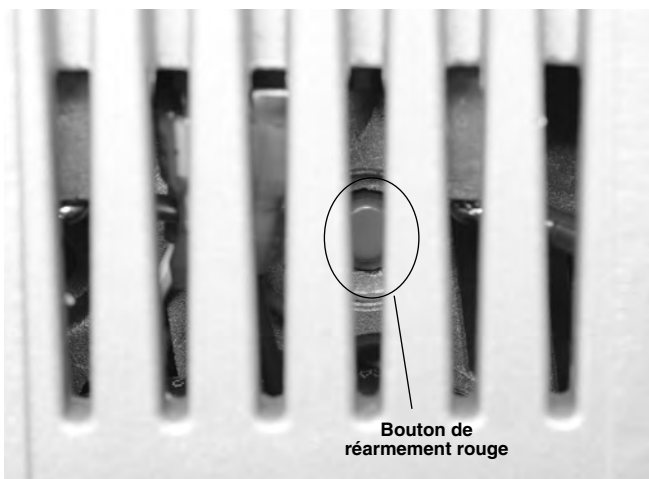


Figure 16 – Alésoir

### Protection thermique du moteur

Le moteur est équipé d'une protection thermique qui l'arrête en cas de surchauffe.

Pour réarmer la protection thermique, débranchez la machine, mettez son interrupteur Marche/Arrêt en position « Arrêt » (O), puis laissez-la refroidir pendant 15 minutes. Servez-vous d'un objet non-métallique pour passer à travers la grille de ventilation (Figures 1 et 2) et appuyer sur la touche de réarmement (Figure 17).


**Figure 17 – Bouton de réarmement**

Si le moteur ne démarre pas ou que la protection thermique continue de se déclencher en cours d'utilisation normale, il sera nécessaire de confier la machine à un réparateur RIDGID agréé.

## Accessoires

### ⚠ AVERTISSEMENT

**Afin de limiter les risques d'accident grave, n'utilisez que les accessoires spécifiquement destinés aux machines de coupe et de préparation du cuivre 122 et 122XL, tels que ceux indiqués ci-dessous. Les accessoires prévus pour d'autres types de machine peuvent devenir dangereux s'ils sont utilisés sur les machines de coupe et de préparation du cuivre 122 et 122XL.**

Réf. catalogue	Modèle	Désignation
33175	2191	Galet de coupe pour cuivre
34360	—	Axe fileté pour galet de coupe n° 2191
33551	122SS	Galet de coupe pour cuivre et acier inoxydable
10343	—	Axe pour galet de coupe n°33551
46105	—	Disque d'ébarbage externe
94682	—	Brosse de nettoyage externe
94687	—	Alésoir Ø 2" complet
36662	301A	Pédale de commande 120V type 301A
42360	1206	Trépied type 1206
94692	—	Lame d'alésage

## Brosses à raccords et râtelier

Réf. catalogue	Désignation
93747	Mandrin rapide
93717	Brosse à raccords Ø 1/2" (paquet de 3)
93722	Brosse à raccords Ø 3/4" (paquet de 3)
93727	Brosse à raccords Ø 1" (paquet de 3)
93732	Brosse à raccords Ø 1 1/4" (paquet de 3)
93737	Brosse à raccords Ø 1 1/2" (paquet de 3)
93742	Brosse à raccords Ø 2" (paquet de 3)
12638	Brosse à raccords Ø 2 1/2" pour 122XL (paquet de 3)
12643	Brosse à raccords Ø 3" à 4" pour 122XL (paquet de 3)
93707	Nécessaire de stockage des brosses à raccords comprenant râtelier de stockage, mandrin rapide, galet de coupe de rechange et brosses Ø 1/2", 3/4", 1", 1 1/4", 1 1/2" et 2"
93712	Râtelier pour brosses à raccord

De plus amples renseignements concernant les accessoires prévus pour cet appareil se trouve dans le catalogue RIDGID et en ligne au [www.RIDGID.com](http://www.RIDGID.com) ou [www.RIDGID.eu](http://www.RIDGID.eu)

## Stockage de la machine

**⚠ AVERTISSEMENT** Les machines de coupe et de préparation du cuivre modèles 122 et 122XL doivent être rangées à l'intérieur ou protégées de la pluie. Rangez la machine dans un local sous clé, hors de la portée des enfants et de tout individu non initié. Ces machines peuvent devenir dangereuses entre les mains de novices.

## Révisions et réparations

### ⚠ AVERTISSEMENT

**La moindre intervention inappropriée peut rendre cette machine dangereuse.**

La section « Consignes d'entretien » couvrira la majorité des besoins d'entretien de cette machine. Toute anomalie éventuelle qui ne serait pas traitée dans section « Dépannage » ci-après doit être référée à un réparateur RIDGID agréé.

L'appareil devra alors être confié à un réparateur indépendant agréé ou renvoyé à l'usine.

Pour localiser le réparateur RIDGID le plus proche ou pour toutes questions visant la révision ou la réparation de l'appareil, veuillez :

## Recyclage

Certains éléments des machines de coupe et de préparation du cuivre modèles 122 et 122XL renferment des matières rares susceptibles d'être recyclées. Des sociétés de recyclage spécialisées peuvent parfois se trouver localement. Recyclez ce type de matériel selon la réglementation en vigueur. Consultez les services de recyclage de votre localité pour de plus amples renseignements.

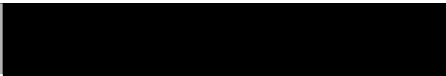


**A l'attention des pays de la CE :** Ne jamais disposer de matériel électrique dans les ordures ménagères.

Selon la directive européenne N° 2002/96/CE visant le recyclage de matériel électrique et électronique et son application au niveau des Etats membres, tout matériel électrique réformé doit être collecté séparément et recyclé de manière écologiquement responsable.

## Dépannage

SYMPTOME	CAUSES POSSIBLES	SOLUTION
Vibrations excessives en cours d'opération.	Coupe de tubes tordus. ----- Tubes de grande longueur mal soutenus. ----- Machine mal montée.	Ne pas couper de tubes visiblement tordus. Utiliser un coupe-tubes manuel ou redresser le tube avant coupe. ----- Soutenir les tubes de grande longueur à l'aide de porte-tubes. ----- Monter la machine correctement sur une surface plane et l'arrimer à l'aide des boulons prévus.
La machine ne coupe pas les tubes correctement.	Lames ou galet de coupe usé. ----- Composition ou section de tube inadaptée.	Remplacer les lames ou le galet de coupe. ----- Prévoir un type de tube approprié (se reporter au chapitre « <i>Caractéristiques techniques</i> »).
La machine cale en cours de coupe.	Application de trop de force sur le levier en cours de coupe.	Appuyer moins lourdement sur le levier.
Bavures excessives ou déformation de l'extrémité du tube.	Galet de coupe émoussé ou endommagé. ----- Application de trop de force sur le levier en cours de coupe.	Remplacer le galet de coupe. ----- Appuyer moins lourdement sur le levier.



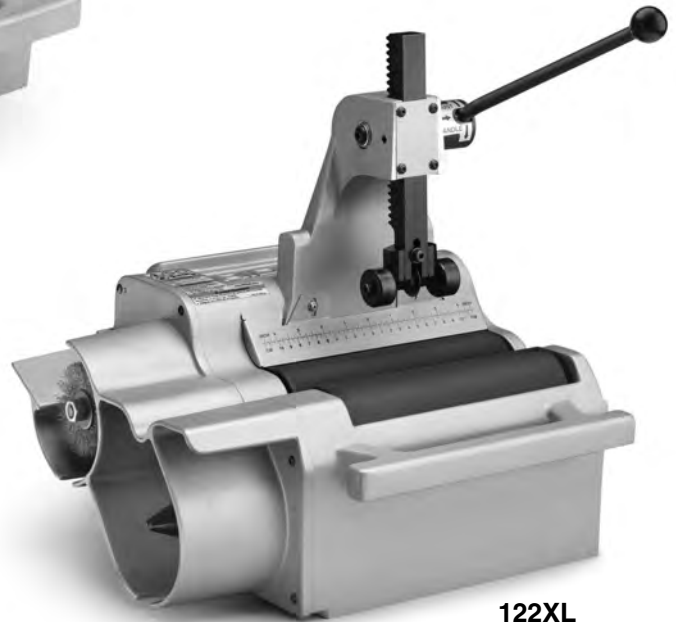


# 122/122XL

## Máquinas para cortar y preparar tubos de cobre



122



122XL



### ADVERTENCIA

Antes de utilizar este aparato, lea detenidamente su Manual del Operario. Pueden ocurrir descargas eléctricas, incendios y/o graves lesiones si no se entienden y siguen las instrucciones de este manual.

#### Máquinas 122/122XL para cortar y preparar tubos de cobre

Apunte aquí y guarde el número de serie del producto; se encuentra en su placa de características.

No. de serie


## Índice de materias


Formulario de registro para el número de serie de la máquina.....	31
Simbología de seguridad.....	33
<b>Advertencias de seguridad general para máquinas eléctricas</b>	
Seguridad en la zona de trabajo .....	33
Seguridad eléctrica .....	33
Seguridad personal .....	34
Uso y cuidado de las máquinas eléctricas.....	34
Servicio .....	35
<b>Información de seguridad específica</b>	
Seguridad de las máquinas para cortar y preparar tubos de cobre.....	35
<b>Descripción, especificaciones y equipo estándar</b>	
Descripción .....	35
Especificaciones .....	36
Equipo estándar.....	36
Íconos .....	37
<b>Montaje de la máquina</b>	
Portaescobillas y escobillas para limpiar acoplamientos .....	37
Disco para quitar rebabas externas .....	38
<b>Inspección previa a la operación</b> .....	38
<b>Preparación de la máquina y de la zona de trabajo</b> .....	39
Uso del interruptor de pie (solo 120 V) .....	40
<b>Instrucciones para el funcionamiento</b>	
Corte de tubos .....	40
Limpieza y eliminación de rebabas del exterior del tubo .....	41
Escariado del interior del tubo .....	42
Limpieza del interior de los acoplamientos .....	42
<b>Instrucciones de mantenimiento</b>	
Limpieza.....	43
Lubricación.....	43
Ajuste de la tensión de la cremallera .....	43
Recambio de la rueda de corte .....	43
Recambio de la escobilla de limpieza exterior .....	43
Recambio de la hoja del escariador.....	43
Prevención de sobrecalentamiento del motor .....	44
<b>Accesorios</b> .....	44
<b>Almacenamiento</b> .....	44
<b>Servicio y reparaciones</b> .....	44
<b>Eliminación de la máquina</b> .....	45
<b>Resolución de problemas</b> .....	46
<b>Declaración de conformidad de la Comunidad Europea</b> .....	Interior de la tapa de atrás
<b>Garantía vitalicia</b> .....	Carátula posterior


\*Traducción del manual original


## Simbología de seguridad

En este manual del operario y en el producto mismo encontrará símbolos de seguridad y palabras de advertencia que comunican importante información de seguridad. Para su mejor comprensión, en esta sección se describe el significado de estas palabras y símbolos de advertencia.

 Este es el símbolo de una alerta de seguridad. Sirve para prevenir al operario de las lesiones corporales que podría sufrir. Obedezca todas las instrucciones de seguridad que acompañan a este símbolo para evitar posibles lesiones o muerte.

 Este símbolo de PELIGRO advierte de una situación de peligro que, si no se evita, podría producir la muerte o lesiones graves.

 Este símbolo de ADVERTENCIA avisa de una situación de peligro que, si no se evita, podría producir la muerte o lesiones graves.

 Este símbolo de CUIDADO advierte de una situación de peligro que, si no se evita, podría producir lesiones leves o moderadas.

**AVISO** Un AVISO advierte de la existencia de información relacionada con la protección de un bien o propiedad.



Este símbolo significa que es necesario leer detenidamente su manual del operario antes de usar el equipo. El manual del operario contiene información importante acerca del funcionamiento apropiado y seguro del equipo.



Este símbolo indica que cuando maneje o utilice este equipo siempre debe usar gafas o anteojos de seguridad con viseras laterales, con el fin de evitar lesiones a los ojos.



Este símbolo indica que existe el riesgo de que los dedos, manos y otras partes del cuerpo se enganchen o se pellizquen en los rodillos u otras piezas móviles de la máquina.



Este símbolo indica que existe el riesgo de que los dedos, manos y otras partes del cuerpo se corten debido a la rotación del escariador o de la escobilla de alambre o de otras partes móviles.



Este símbolo indica que la máquina puede volcarse y causar lesiones por aplastamiento o golpes.



Este símbolo advierte del peligro de descargas eléctricas.



Este símbolo indica que el operario no debe usar guantes mientras hace funcionar esta máquina, puesto que podrían engancharse.

## Advertencias de seguridad general para máquinas eléctricas\*

### ADVERTENCIA

**Lea todas las advertencias, instrucciones, ilustraciones y especificaciones que se proporcionan con esta máquina eléctrica. Si no se siguen todas las instrucciones indicadas a continuación, podrían producirse descargas eléctricas, incendios y/o lesiones graves.**

**¡GUARDE TODAS LAS ADVERTENCIAS E INSTRUCCIONES PARA POSTERIOR CONSULTA!**

El término "máquina eléctrica" en las advertencias se refiere a la herramienta de trabajo que funciona ya sea enchufada a un tomacorriente (con cordón) o con baterías (sin cordón).

### Seguridad en la zona de trabajo

- Mantenga su zona de trabajo limpia y bien iluminada.

nada. Los lugares desordenados u oscuros pueden provocar accidentes.

- **No haga funcionar las máquinas eléctricas en ambientes explosivos, es decir, en presencia de líquidos, gases o polvo inflamables.** Las máquinas eléctricas pueden generar chispas que podrían encender los gases o el polvo.
- **Mientras haga funcionar una máquina eléctrica, mantenga alejados a los niños y espectadores.** Cualquier distracción podría hacerle perder el control del aparato.

### Seguridad eléctrica

- **El enchufe del aparato eléctrico debe corresponder al tomacorriente. Jamás modifique el enchufe del aparato. No utilice un enchufe adaptador cuando haga funcionar una máquina eléctrica provista de conexión a tierra.** Los enchufes intactos y tomacorrientes

\* El texto utilizado en la sección Advertencias de seguridad general para máquinas eléctricas de este manual está copiado textualmente de la norma EN 62841-1 correspondiente, como se exige. Esta sección contiene prácticas de seguridad general para diversas máquinas eléctricas. No todas las advertencias corresponden a cada aparato, y algunas no corresponden a esta herramienta.

rientes que les corresponden reducen el riesgo de choques de electricidad.

- **Evite el contacto de su cuerpo con artefactos conectados a tierra tales como cañerías, radiadores, estufas o cocinas, y refrigeradores.** Aumenta el riesgo de choques de electricidad si su cuerpo ofrece conducción a tierra.
- **No exponga las máquinas eléctricas a la lluvia ni permita que se mojen.** Cuando a un aparato eléctrico le entra agua, aumenta el riesgo de choques de electricidad.
- **No maltrate el cordón eléctrico del aparato. Nunca transporte el aparato tomándolo de su cordón eléctrico ni jale del cordón para desenchufarlo del tomacorriente. Mantenga el cordón alejado del calor, aceite, bordes cortantes o piezas móviles.** Un cordón enredado o en mal estado aumenta el riesgo de choques de electricidad.
- **Al hacer funcionar una máquina eléctrica a la intemperie, emplee un cordón de extensión fabricado para uso exterior.** Los alargadores diseñados para su empleo al aire libre reducen el riesgo de choques de electricidad.
- **Si resulta inevitable el empleo de una máquina eléctrica en un sitio húmedo, enchúfela en un tomacorriente protegido GFCI (dotado de un Interruptor del Circuito de Pérdida a Tierra).** El interruptor GFCI reduce el riesgo de choques de electricidad.

### Seguridad personal

- **Manténgase alerta, preste atención a lo que está haciendo y use el sentido común cuando haga funcionar una máquina eléctrica. No use ninguna máquina eléctrica si usted está cansado o se encuentra bajo la influencia de drogas, alcohol o medicamentos.** Tan solo un breve descuido durante el funcionamiento de una máquina eléctrica puede resultar en lesiones graves.
- **Use equipo de protección personal. Siempre use protección para los ojos.** Según corresponda para cada situación, colóquese equipo de protección como mascarilla para el polvo, calzado de seguridad antideslizante, casco o protección para los oídos, con el fin de reducir las lesiones personales.
- **Evite echar a andar un aparato sin querer. Asegure que el interruptor de la máquina esté en la posición de APAGADO antes de enchufar el aparato a la corriente eléctrica o de conectarlo a sus baterías, de tomarlo o acarrearlo.** Se producen accidentes cuando se transportan máquinas eléctricas con el

dedo puesto sobre su interruptor, o se las enchufa o conecta a la fuente de corriente con el interruptor en la posición de ENCENDIDO.

- **Extraiga cualquier llave de ajuste que esté acoplada a la máquina eléctrica antes de encenderla.** Una llave acoplada a una parte giratoria de la máquina eléctrica puede producir lesiones personales.
- **No trate de extender el cuerpo para alcanzar algo. Tenga los pies bien plantados y mantenga el equilibrio en todo momento.** Esto permite un mejor control de la máquina eléctrica en situaciones inesperadas.
- **Vístase adecuadamente. No lleve ropa suelta ni joyas. Mantenga su cabello, ropa y guantes apartados de las piezas en movimiento.** La ropa suelta, las joyas o el pelo largo pueden engancharse en las piezas móviles.
- **Si se suministran conexiones y aparatos para extraer polvo, asegure que todo esté bien conectado y correctamente utilizado.** La recolección de polvo reduce sus peligros.
- **No permita que su uso frecuente y familiarización con las herramientas le haga ignorar los principios de seguridad del aparato.** Cualquier descuido puede causar lesiones graves en fracciones de segundo.

### Uso y cuidado de las máquinas eléctricas

- **No fuerce los aparatos. Use el equipo correcto para la tarea que está por realizar.** Con la máquina eléctrica adecuada se hará mejor el trabajo y en forma más segura en la clasificación nominal para la cual fue diseñada.
- **Si el interruptor del aparato no lo enciende o no lo apaga, no utilice el aparato.** Cualquier máquina eléctrica que no se pueda controlar mediante su interruptor es un peligro y debe repararse.
- **Antes de hacer ajustes, cambiar accesorios o de almacenar el aparato, desenchúfelo y/o extraíga las baterías.** Estas medidas de seguridad preventiva reducen el riesgo de poner la máquina eléctrica en marcha involuntariamente.
- **Almacene las máquinas eléctricas que no estén en uso fuera del alcance de los niños y no permita que las hagan funcionar personas que no estén familiarizadas con los aparatos o no hayan leído estas instrucciones de operación.** Las máquinas eléctricas que estén en manos de personas no capacitadas son peligrosas.
- **Haga la mantención necesaria de las máquinas eléctricas y sus accesorios. Revise el equipo para**

verificar que las piezas móviles no estén mal alineadas o agarrotadas. Verifique que no tenga partes quebradas ni presente alguna otra condición que podría afectar su funcionamiento. Si un aparato está dañado, hágalo reparar antes de utilizarlo. Muchos accidentes se deben a máquinas eléctricas que no han recibido un mantenimiento adecuado.

- **Mantenga las hojas y filos de corte afilados y limpios.** Las herramientas para cortar provistas de filos afilados son menos propensas a trabarse y son más fáciles de controlar.
- **Utilice la máquina eléctrica, accesorios y acoplados, etc., únicamente conforme a estas instrucciones, tomando en cuenta las condiciones de trabajo y la tarea que debe realizar.** El uso de la máquina eléctrica para trabajos diferentes a los que le corresponden podría producir una situación peligrosa.
- **Mantenga las manillas, manivelas y superficies de agarre limpias, secas y exentas de grasa o aceite.** Las manillas, manivelas y superficies resbalosas no permiten un manejo seguro del aparato ni su control en situaciones inesperadas.

## Servicio

- **Encomiende el servicio de la máquina eléctrica únicamente a técnicos calificados que usen repuestos idénticos a las piezas originales.** Así se garantiza la continua seguridad de la máquina eléctrica.

## Información de seguridad específica

### ⚠ ADVERTENCIA

Esta sección contiene información de seguridad importante que es específica para esta herramienta.

Antes de utilizar la máquina modelo 122 y la máquina modelo 122XL para cortar y preparar tubos de cobre, lea estas instrucciones detenidamente para reducir el riesgo de choque de electricidad o de lesiones personales graves.

### ¡GUARDE ESTAS INSTRUCCIONES!

Mantenga este manual junto con la máquina, para que lo use el operario.

### Seguridad de las máquinas para cortar y preparar tubos de cobre

- **No use guantes ni ropa suelta. Mantenga abotonadas las chaquetas y las mangas.** Los rodillos giratorios y piezas en movimiento pueden enganchar la ropa y causar lesiones por aplastamiento.

torios y piezas en movimiento pueden enganchar la ropa y causar lesiones por aplastamiento.

- **Fije la máquina a un mesón de trabajo o soporte estable. Apoye los tubos correctamente.** Esto reduce el riesgo de que el tubo se caiga o que el aparato se vuelque, y se produzcan lesiones graves.
- **Mantenga apartados los dedos y las manos de los rodillos, el escariador, escobillas de alambre, disco quitarrebabas y tubo cuando estén girando.** Esto reduce el riesgo de enmarañarse y sufrir heridas cortantes.
- **No corte tubos que estén visiblemente curvados ni que tengan acoplamientos conectados.** Esto reduce el riesgo de una vibración excesiva y de perder el control de la máquina o del tubo.
- **Use las máquinas solamente para cortar, limpiar y eliminar rebabas de tuberías de cobre o de acero inoxidable, como se indica en este manual.** No use las máquinas para otros fines ni las modifique. Si usa estas máquinas para otros fines o las modifica para otras tareas, aumenta el riesgo de causar lesiones graves.
- **Antes de operar estas máquinas, lea y entienda las instrucciones y advertencias para todos los equipos y materiales que usará.** Si no se siguen y respetan las instrucciones y advertencias, puede producirse un daño a la propiedad o lesiones personales graves.

## Descripción, especificaciones y equipo estándar

### Descripción

Las máquinas para cortar y preparar tubos de cobre, modelo 122 y modelo 122XL de RIDGID®, están diseñadas para cortar, limpiar y eliminar rebabas de tuberías de cobre y acoplamientos (Tipos K, L y M). También se pueden usar para cortar y eliminar rebabas de tuberías de acero inoxidable con un espesor de pared máximo de 0,065 pulgadas (1,65 mm), usando una rueda de corte distinta.

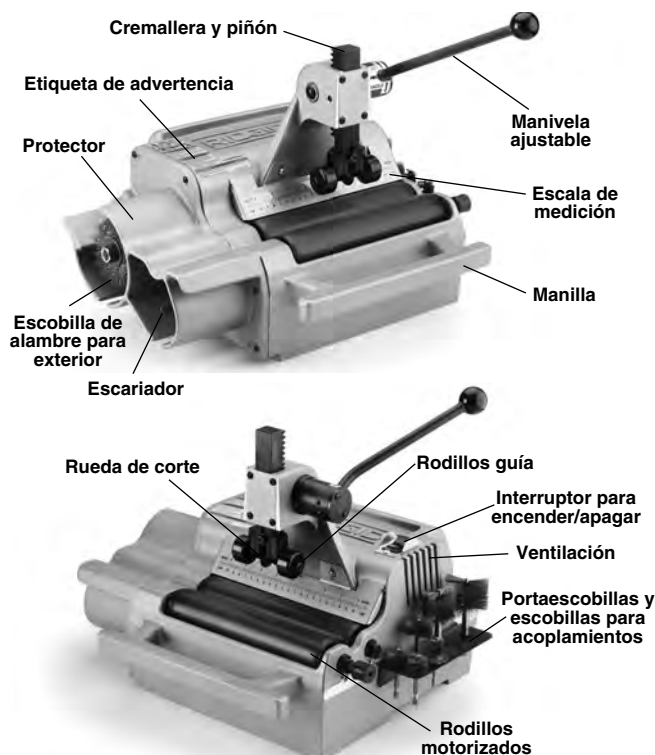
Los cortes se efectúan haciendo girar el tubo mediante rodillos propulsados a motor mientras una rueda de corte se acciona manualmente con una cremallera y piñón. Una manivela de corte ajustable se usa para acomodar tubos de diferentes diámetros y se incluye una escala para medir los tubos. El escariador elimina las rebabas del interior de la tubería y la escobilla limpia la superficie externa para prepararla para su unión. La máquina también puede limpiar el interior de los acoplamientos, mediante escobillas de diversos tamaños que se conectan al adaptador de conexión rápida. El disco quitarrebabas elimina las rebabas de la superficie exterior del tubo.

Las máquinas para cortar y preparar tubos de cobre, modelo 122 y modelo 122XL de RIDGID®, no están diseñadas para usarse con cañerías.

### Equipo estándar

Las máquinas 122 y 122XL para cortar y preparar tubos de cobre incluyen los siguientes artículos:

- Escobilla de limpieza exterior
- Escariador cónico
- Disco quitarrebabas de limpieza interior (solo modelo 122XL)
- Kit para guardar escobillas para acoplamientos (solo modelo 122)
- Paquete con el Manual del Operario

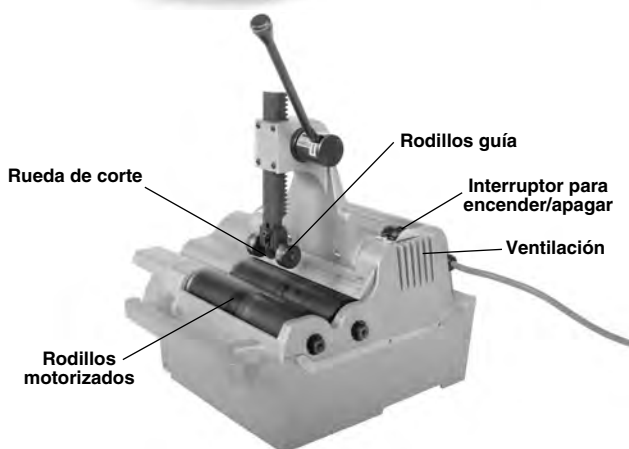
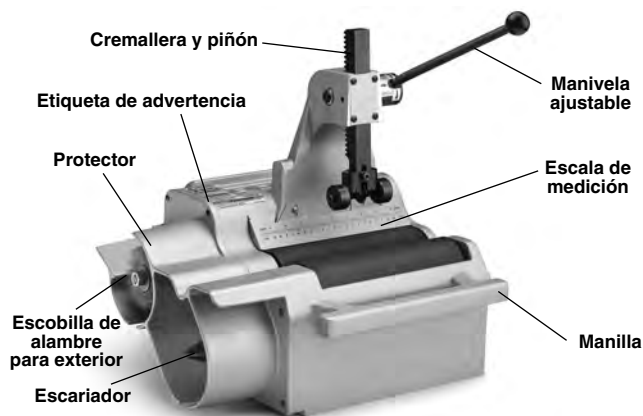


Figuras 1A y 1B – Máquina 122 para cortar y preparar tubos de cobre

### Especificaciones

Parámetro	Modelo 122	Modelo 122XL
Diámetros	1/2" a 2" (12 mm a 54 mm)	1/2" a 4" (12 mm a 108 mm)
Tubos y acoplamientos de cobre	ASTM B88 tipo K, L y M	ASTM B88 tipo K, L y M
Tubos de acero inoxidable	Espesor máx. de pared 0,065" (1,65 mm)	Espesor máx. de pared 0,065" (1,65 mm)
Rueda de corte	Modelo 2191 HD (115 V estándar) Modelo 122 SS (100 V, 230 V estándar)	Modelo 122 SS
Escariador	Cónico de una sola ranura Derecha: 1/2" a 2" (12 mm a 54 mm)	Cónico de una sola ranura Derecha: 1/2" a 2" (12 mm a 54 mm)
Velocidad de rodillos	450 rpm	300 rpm
Tipo de motor	Motor de inducción	Motor de inducción
Clasificación nominal del motor: 100 V	100/200 V, 50 Hz, 5,4/2,7 A	
Clasificación nominal del motor: 115 V	115 V, 60 Hz, 1/3 HP, 3,2 A	115 V, 60 Hz, 1/3 HP, 3,2 A
Clasificación nominal del motor: 220 a 240 V	220-240 V CA, 50/60 Hz, 2,2 A	220-240 V CA, 50/60Hz, 2,2 A
Interruptor	De dos posiciones (encendido o apagado)	De dos posiciones (encendido o apagado)
Peso	50 libras (22,7 kg)	72 libras (32,7 kg)
Dimensiones (altura x largo x ancho)	14,6" x 16,8" x 15,1" (370 x 427 x 383 mm)	16,5" x 17,1" x 15,0" (419 x 434 x 381 mm)
Presión sonora (L <sub>PA</sub> )*	75 dB(A), K=3	75 dB(A), K=3

\* Las mediciones de sonido se hacen conforme a una prueba estandarizada según la norma EN 62481-1.  
 - Las emisiones de sonido podrían variar según la ubicación del operario y el uso específico de estos aparatos.  
 - Es necesario evaluar los niveles diarios de exposición al sonido para cada aplicación. Es necesario tomar medidas de seguridad cuando sean necesarias. La evaluación de los niveles de exposición debe tomar en cuenta el tiempo durante el cual el aparato está apagado y no se está usando. Esto puede reducir significativamente el nivel de exposición durante el período total de trabajo.



Figuras 2A y 2B – Máquina 122XL para cortar y preparar tubos de cobre

El número de serie de la máquina está ubicado en la parte de atrás. Los últimos 4 dígitos indican el mes y el año de fabricación. (08 = mes, 15 = año)



Figura 3 – Número de serie de la máquina

## Íconos

⏻ Encendido

⏻ Apagado

**AVISO** La selección apropiada de los materiales y de los

métodos de instalación, unión y conformado es responsabilidad del diseñador y/o del instalador del sistema. El sistema podría fallar si se seleccionan mal los materiales y métodos.

El acero inoxidable y otros materiales resistentes a la corrosión se pueden contaminar durante la instalación, unión y conformado. Esta contaminación podría causar corrosión y fallas prematuras. Es necesario completar una cuidadosa evaluación de los materiales y métodos para las condiciones de servicio específicas, inclusive las condiciones químicas y térmicas, antes de intentar una instalación.

## Montaje de la máquina

### ⚠ ADVERTENCIA

**Cumpla con los siguientes procedimientos de montaje, para reducir el riesgo de lesiones graves durante el uso de la máquina.**

**El interruptor de encendido/apagado debe estar en APAGADO y la máquina debe estar desenchufada antes de hacer el montaje.**

### Portaescobillas y escobillas para aco- plamientos (accesorio opcional para el modelo 122XL)

1. Con los tornillos que se incluyen, monte el portaescobillas al costado de la máquina.
2. Con el tornillo de fijación que se incluye, acople el collarín de conexión rápida (Figura 4) al eje del rodillo delantero que sobresale de la carcasa de la máquina. Con una llave hexagonal de 1/4 pulgada, apriete el tornillo bien.
3. Jale el cuerpo del collarín para destrabarlo y encaje el eje de la escobilla. Luego suelte el collarín para trabar el eje. Asegúrese que la escobilla esté bien trabada. La escobilla se puede reemplazar siguiendo los mismos pasos.

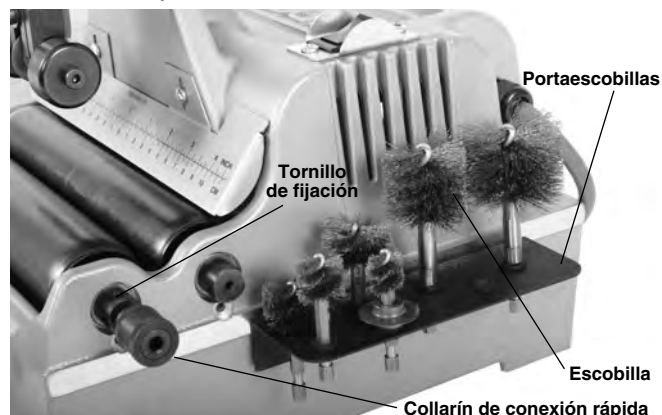


Figura 4 – Collarín

**Disco para quitar rebabas externas  
(accesorio opcional para el modelo 122)**

1. Sujete firmemente el eje de la escobilla de limpieza exterior, agarrando con una llave hexagonal de 9/16" la parte plana del eje (cerca de la superficie de la carcasa de la máquina) para que no se mueva (Figura 5).
2. Extraiga la tuerca de 1/2 pulgada y la arandela, luego extraiga la escobilla y el espaciador.
3. Coloque la hendidura que contiene el número de modelo del disco (F-4697) orientado hacia la carcasa de la máquina. Luego deslice el disco quitarrebabas sobre el eje y reemplace la escobilla. No debe usarse el espaciador cuando se monta el disco quitarrebabas.



Figura 5 – Montaje del disco quitarrebabas

4. Vuelva a colocar la arandela y la tuerca de 1/2 pulgada, y apriete bien.

**Inspección previa a la operación**

**⚠ ADVERTENCIA**



**Antes de usar la máquina para cortar y preparar tubos de cobre, hágale una inspección y corrija cualquier problema, para reducir el riesgo de lesiones graves producidas por choque de electricidad, enmarañamiento, aplastamiento y otras causas, y para proteger la máquina contra daños.**

1. Asegure que la máquina para cortar y preparar tubos de cobre esté desenchufada y que el interruptor de

encendido y apagado esté en la posición de APAGADO (O).

2. Limpie el aceite, grasa y suciedad presentes en la máquina, incluyendo la manivela, la manilla y los controles. Esto facilita su inspección y ayuda a evitar que la máquina o los controles se resbalen de sus manos. Quite la suciedad y residuos de los rodillos. Los rodillos tienen que estar limpios para que la máquina funcione bien.
3. Inspeccione la máquina para cortar y preparar tubos de cobre para verificar lo siguiente:
  - El cordón y el enchufe no están dañados ni se han modificado.
  - Está bien ensamblada, bien mantenida y completa.
  - No hay piezas dañadas, mal colocadas o enredadas.
  - La manivela ajustable, la cremallera y piñón, rueda de corte y rodillos guía no están atascados.
  - La etiqueta de advertencia está presente y legible (vea la Figura 6).
  - No existe ninguna condición que impida el funcionamiento seguro y normal.

Si se encuentra algún problema, no utilice la máquina para cortar y preparar tubos de cobre hasta que se hayan reparado las fallas.



Figura 6 – Etiqueta de advertencia

4. Revise la rueda de corte, escariador, escobillas y rodillos guía para verificar que no estén desgastados ni dañados. Reemplace las piezas desgastadas o dañadas antes de usar la máquina. Las piezas romas, dañadas o deformadas pueden producir cortes mal hechos o limpieza defectuosa, llevar a rebabas excesivas o reducir la velocidad de los cortes o limpieza.
5. Revise los otros equipos que se usarán conforme a sus instrucciones y haga la mantención necesaria.
6. Asegure que el interruptor de encendido y apagado esté en la posición de APAGADO (O). Con las manos



secas, enchufe el cordón en un tomacorriente con conexión a tierra.

7. Coloque el interruptor de encendido y apagado en la posición de ENCENDIDO (I). Observe el sentido de rotación de los rodillos. Si el interruptor no controla el funcionamiento de la máquina, no la use hasta que se repare el interruptor. Los rodillos deben rotar hacia la izquierda cuando se miran desde el costado donde está el escariador de la máquina. Si no rotan en el sentido correcto, no use la máquina hasta que se repare la avería.
8. Cuando complete la inspección, coloque el interruptor de encendido y apagado en la posición de APAGADO (O). Con las manos secas, desenchufe la máquina.

## Preparación de la máquina y de la zona de trabajo

### ⚠ ADVERTENCIA



**Instale la máquina para cortar y preparar tubos de cobre y la zona de trabajo de acuerdo con estos procedimientos, para reducir el riesgo de lesiones causadas por choque de electricidad, enmarañamientos, aplastamiento y otras causas, y para proteger la máquina contra daños.**

**Fije la máquina a un mesón de trabajo estable o a un soporte estable. Apoye el tubo en forma apropiada. Esto reduce el riesgo de que el tubo se caiga, la máquina se vuelque, y se produzcan lesiones graves.**

**Mantenga los dedos y las manos alejados de las piezas en rotación: el escariador, los rodillos, escobilla de alambre, disco quitarebabas y tubo. Esto reduce el riesgo de enmarañarse y cortarse.**

1. Revise la zona de trabajo para verificar lo siguiente:
  - Hay suficiente luz.
  - No hay líquidos, gases ni polvo que puedan incendiarse. Si éstos están presentes, no trabaje en ese lugar hasta que identifique y corrija estos problemas. La máquina para cortar y preparar tubos de cobre no es a prueba de explosiones y pueden generar chispas.
  - El lugar para el operario está despejado, nivelado y seco, y es estable. No use la máquina si está parado en una superficie con agua.
  - Hay un tomacorriente del voltaje apropiado y conectado a tierra. Un tomacorriente para tres clavi-

jas o GFCI podría no estar bien conectado a tierra. Si tiene alguna duda, pida a un electricista acreditado que inspeccione el tomacorriente.

- Hay una senda despejada entre la máquina y el tomacorriente, donde no hay nada que podría dañar el cable.
2. Revise la tarea que debe completar. Determine el material, tipo y tamaño del tubo. Determine cuáles equipos necesita para la tarea. Vea en la sección *Especificaciones* la información sobre los aparatos.
  3. Asegure que se hayan inspeccionado correctamente los aparatos que usará.
  4. Coloque la máquina sobre una superficie plana, nivelada y estable, o en un soporte 1206. Si usa el soporte 1206, móntelo según sus instrucciones. Atornille la máquina para fijarla, utilizando los agujeros de montaje ubicados en la parte de atrás de la máquina. Confirme que la máquina esté estable y bien fijada.



**Figura 7 – Máquina modelo 122XL colocada en el soporte 1206**

5. Si el tubo se extiende más allá de 6 pulgadas (15 cm) de la máquina, use un soporte o más para apoyar el tubo.
6. Impida el acceso o coloque barreras o barricadas para crear un espacio despejado de por lo menos 3 pies (1 m) alrededor de la máquina y el tubo. Esto reduce el riesgo de que otras personas se acerquen

a la máquina o al tubo y queden enredados o vuelquen el aparato.

7. Confirme que el interruptor de encendido y apagado esté en la posición de APAGADO (O).
8. Coloque el cable a lo largo de una senda despejada. Con las manos secas, enchufe la máquina para cortar y preparar tubos de cobre en un tomacorriente conectado a tierra. Mantenga todas las conexiones secas. Si el cordón no tiene el largo suficiente, use un cable de extensión que:
  - Esté en buenas condiciones.
  - Tenga un enchufe de tres clavijas semejante al enchufe de la máquina.
  - Tenga una clasificación nominal que permita el uso a la intemperie y tiene una designación en el cordón de W o W-A (es decir, SOW), o cumpla con el diseño H05VV-F, tipo H05RN-F o tipo IEC (60227 IEC 53, 60245 IEC 57).
  - Tenga alambre de grosor suficiente. Para cables de extensión de menos de 50 pies (15,2 m), use 16 AWG (1,5 mm<sup>2</sup>) o mayor. Para cables de extensión de 50 pies a 100 pies (15,2 m a 30,5 m), use 14 AWG (2,5 mm<sup>2</sup>) o mayor. Los alambres de grosor insuficiente se pueden sobrecalentar y fundir el aislante o causar un incendio o algún otro daño.

### Uso del interruptor de pie (solo 120 V)

Para facilitar la operación de la máquina, el modelo 122 y el modelo 122XL se pueden usar con el interruptor de pie modelo 301A 120.

1. Con las manos secas, enchufe el interruptor de pie 301A en un tomacorriente o un cable de extensión, conectados a tierra.
2. Confirme que el interruptor de la máquina 122 o 122XL esté en la posición de APAGADO (O). Coloque el enchufe de la máquina 122 o 122XL en el receptáculo del interruptor de pie.
3. Coloque el interruptor en la posición de ENCENDIDO (I).
4. Con las manos alejadas de todas las piezas en rotación, presione el interruptor de pie y confirme que controla el funcionamiento de la máquina. Suelte el interruptor de pie y deje que la máquina se detenga por completo. Coloque el interruptor de la máquina en la posición de apagado (O).

## Instrucciones de funcionamiento

### ⚠ ADVERTENCIA



**Siempre use protección ocular apropiada para proteger sus ojos contra la suciedad y objetos extraños.**

**No use guantes ni ropa suelta. Mantenga abotonadas las chaquetas y las mangas. Los rodillos giratorios y piezas en movimiento pueden enganchar la ropa y causar lesiones por aplastamiento.**

**Mantenga apartados los dedos y las manos de las piezas que giran (rodillos, escariador, escobillas de alambre y tubo). Esto reduce el riesgo de enmarañarse y sufrir heridas cortantes.**

**Apoye apropiadamente los tubos largos. Esto reduce el riesgo de volcamiento y que se caiga el tubo.**

**No corte tubos que estén visiblemente curvados ni que tengan acoplamientos puestos. Así reduce el riesgo de una vibración excesiva y de perder el control de la máquina o del tubo.**

**Siga las instrucciones de funcionamiento para reducir el riesgo de lesiones debidas a choque eléctrico, enmarañamiento, aplastamiento y otras causas, y para que no se dañe la máquina.**

1. Confirme que la máquina para cortar y preparar tubos de cobre y el lugar de trabajo estén bien preparados y que no hayan espectadores ni otras distracciones en la zona.
2. Adopte una postura correcta para ayudar a controlar la máquina y la tarea:
  - Asegure que tiene un acceso fácil al interruptor de encendido y apagado o, si está usando el interruptor de pie, que puede controlar el encendido y apagado con el pedal.
  - Asegúrese que tiene buen equilibrio, que no tiene que estirarse para alcanzar nada, y que no se pueda caer encima de la máquina ni de otros artículos peligrosos.
  - Mantenga las manos y los dedos alejados del escariador, escobillas de alambre y extremos del tubo.

Esta posición de trabajo le ayudará a controlar el tubo y la máquina.

### Corte de tubos

1. Revise el tubo para verificar que no esté visiblemente doblado ni tiene acoplamientos colocados. Al cortar tubos doblados o con acoplamientos se puede producir una vibración excesiva y usted podría perder el

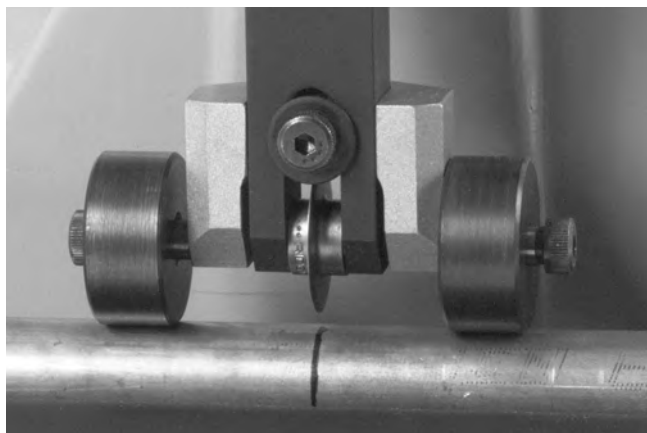
control. Use un cortador manual si fuera necesario. Marque el tubo donde lo desea cortar. Para su conveniencia, la máquina está provista de una escala de medir.

- Coloque la manivela del cortador de manera que quede espacio para el tubo. Para ajustar el posición de la rueda de corte, mueva la manivela hacia la derecha y muévala hacia arriba o hacia abajo según las flechas en la etiqueta de la manivela, para volver a colocar el pasador de posición (vea la Figura 8).



**Figura 8 – Cómo ajustar la posición de la manivela**

- Coloque el tubo sobre los rodillos de manera que la marca donde desea cortar se ubique debajo de la rueda de corte y en el cero de la escala. Si el tubo se extiende más allá de la máquina, coloque soportes debajo del tubo. Debe ajustar los soportes para que el tubo se asiente completamente sobre los rodillos. Esto facilita un corte recto y sin distorsiones.
- Baje la manivela hasta que los rodillos de apoyo de la rueda de corte topen contra el tubo (Figura 9). Haga coincidir la rueda de corte con la marca en el tubo.



**Figura 9 – Rodillos de apoyo de la rueda de corte, en contacto con el tubo**

- Coloque el interruptor de encendido y apagado en la posición de ENCENDIDO (I). Los rodillos y el tubo empezarán a girar. Aleje las manos de las piezas que giran.



**Figura 10 – Corte del tubo**

- Ejerza presión hacia abajo sobre la manivela en forma lenta y continua hasta que el tubo esté cortado. Si fuerza la manivela, se puede dañar la rueda de corte y producirse un exceso de rebabas.
- Reduzca la presión sobre la manivela al mismo tiempo que mantiene los rodillos de apoyo en contacto con el tubo. Los rodillos ayudan a mantener la posición correcta del tubo.
- Coloque el interruptor de encendido y apagado en la posición de APAGADO (O).
- Una vez que deje de girar el tubo, extráigalo de la máquina. Levante la manivela del cortador.

### **Limpieza y eliminación de rebabas del exterior del tubo**

- Coloque el interruptor de encendido y apagado en la posición de ENCENDIDO (I). Mantenga las manos alejadas de los extremos del tubo y de las piezas rotatorias.
- Coloque el extremo del tubo sobre la placa de apoyo. Use soportes apropiados para ayudar a controlar el tubo.

3. Limpieza: Suavemente presione el tubo contra la escobilla y hágalo girar lentamente hasta que la superficie esté pulida (*Figura 11*).



**Figura 11 – Limpieza del exterior del tubo**

4. Eliminación de rebabas: Suavemente presione el extremo del tubo contra el disco quitarrebabas, para eliminar las rebabas externas. Haga girar el tubo contra el disco quitarrebabas (*Figura 12*). Esto también sirve para biselar el extremo del tubo, lo cual facilita su inserción en un acoplamiento.



**Figura 12 – Eliminación de rebabas del exterior del tubo**

5. Coloque el interruptor de encendido y apagado en la posición de APAGADO (O).

### **Escariado del interior del tubo**

1. Coloque el interruptor de encendido y apagado en la posición de ENCENDIDO (I). Mantenga las manos alejadas de los extremos del tubo y de las piezas rotatorias.
2. Agarre el tubo con firmeza. Use soportes apropiados para ayudar a controlar el tubo.
2. Coloque el tubo de manera que el cono de escariado esté dentro del tubo. Aplique presión suavemente

(*Figura 13*). No fuerce el tubo contra el escariador. Esto elimina las rebabas en el interior del tubo. El diámetro de tubo máximo que se puede escariar es de 2 pulgadas (54 mm). No intente quitar rebabas de tubos de mayor diámetro.



**Figura 13 – Escariado del interior del tubo**

4. Coloque el interruptor de encendido y apagado en la posición de APAGADO (O).

### **Limpieza del interior de los acoplamientos**

1. Revise la escobilla colocada para asegurar que tenga el tamaño correcto para el diámetro del acoplamiento. Las escobillas nuevas (de un diámetro de hasta 3 pulgadas) tienen un tamaño semejante al diámetro exterior del tubo. Si fuera necesario, coloque una escobilla para acoplamientos que tenga el tamaño adecuado en el collarín de conexión rápida que se describe en "Portaescobillas y escobillas para acoplamientos" de la sección Montaje de la máquina.
2. Coloque el interruptor de encendido y apagado en la posición de ENCENDIDO (I).
3. Mantenga los dedos alejados de la escobilla. Empuje el acoplamiento para introducirle la escobilla rotatoria (*Figura 14*). Agarre el acoplamiento con firmeza para que no gire. Presione el exterior del acoplamiento para que su interior esté en contacto con la escobilla. Cuando el interior del acoplamiento esté limpio, jale el acoplamiento para retirarlo de la escobilla.
4. Coloque el interruptor de encendido y apagado en la posición de APAGADO (O).



Figura 14 – Limpieza del interior de un acoplamiento

## Instrucciones de mantenimiento

### ⚠ ADVERTENCIA

**Antes de cualquier tarea de mantenimiento o de hacer ajustes, asegure que el interruptor de encendido y apagado esté en la posición de APAGADO y que la máquina esté desenchufada.**

**Haga la mantención de la máquina de acuerdo con estos procedimientos para reducir el riesgo de lesiones por choque de electricidad, enmarañamiento y otras causas.**

### Limpieza

Después de cada uso, suavemente limpie la máquina con un paño limpio y seco. Mantenga los rodillos limpios y sin suciedad ni residuos.

Mantenga el escariador, la escobilla, rueda de corte y disco quitarrebabas limpios y exentos de virutas, para una eficiencia máxima.

### Lubricación

Mantenga una capa delgada de aceite lubricante sobre la cremallera y piñón, el eje de la rueda de corte y los ejes de los rodillos guía. Con un paño, quite el exceso de aceite.

### Ajuste de la tensión de la cremallera

Con una llave hexagonal de  $\frac{5}{32}$ " , apriete o afloje el tornillo de ajuste de la tensión de la cremallera hasta lograr la tensión deseada (Figura 15). Generalmente la tensión se ajusta lo suficiente para impedir que la cremallera se mueva por su propio peso.

### Recambio de la rueda de corte

Reemplace la rueda de corte cuando el filo cortante esté desportillado o aplanado.

1. Afloje el perno de bloqueo y extraiga el conjunto de rodillos de apoyo y pieza deslizante (Figura 15). No

extraiga el perno de bloqueo, que mantiene el resorte de tensión en su lugar.

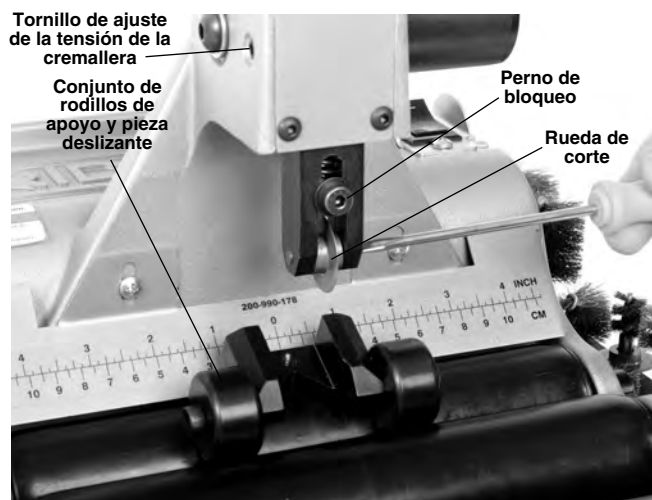


Figura 15 – Extracción del tornillo de la rueda de corte

2. Extraiga el tornillo de la rueda de corte y reemplace la rueda de corte (Figura 15). Vea en la sección Accesorios las ruedas de corte disponibles.
3. Vuelva a montar el conjunto de rodillos de apoyo y pieza deslizante. Apriete bien el perno de bloqueo.

### Recambio de la escobilla de limpieza exterior

La escobilla de limpieza exterior se debe cambiar cuando sus cerdas estén disparejas o demasiado cortas para limpiar el tubo eficazmente. Vea la Figura 5.

1. Sujete firmemente el eje de la escobilla de limpieza exterior, agarrando con una llave hexagonal de  $\frac{9}{16}$ " la parte plana del eje (cerca de la superficie de la carcasa de la máquina) para que no se mueva.
2. Extraiga la tuerca de  $\frac{1}{2}$ " pulgada y la arandela del eje y reemplace la escobilla.
3. Vuelva a montar la arandela y la tuerca, y apriete bien.

### Recambio de la hoja del escariador

Cambie la hoja del escariador cuando esté dañada o roma.

1. Para quitar el escariador del eje, afloje el tornillo de fijación con una llave hexagonal de  $\frac{5}{32}$ " .
2. Desatornille los dos tornillos de cabeza que sujetan la hoja al cono del escariador. Cambie la hoja.
3. Vuelva a colocar el escariador en su eje y apriete el tornillo de fijación de  $\frac{5}{16}$ " .

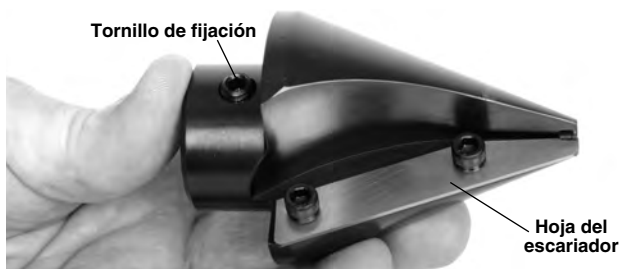


Figura 16 – Escariador

### Prevención de sobrecalentamiento del motor

El motor está equipado con un dispositivo de prevención de sobrecalentamiento que apaga el motor cuando se calienta excesivamente.

Para volver a conectar el dispositivo de prevención de sobrecalentamiento, desenchufe la máquina y coloque el interruptor de encendido y apagado en la posición de APAGADO (O). Permita que el motor se enfríe durante 15 minutos. Pase un objeto delgado y no conductor a través de la rejilla (Figuras 1 y 2) y presione el botón de reinicio (Figura 17).

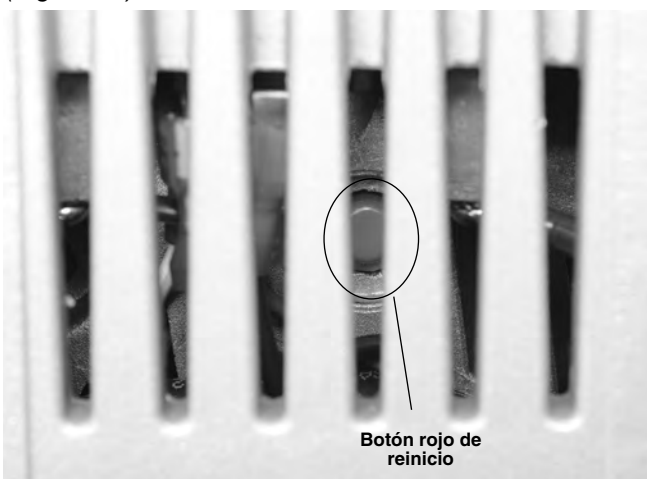


Figura 17 – Botón de reinicio del motor

Si el motor no arranca o si continuamente se activa el dispositivo de prevención de sobrecalentamiento, debe llevar la máquina a un Servicentro RIDGID autorizado.

### Accesorios

#### ⚠ ADVERTENCIA

Para reducir el riesgo de lesiones graves, use solamente accesorios específicamente diseñados y recomendados para las máquinas 122 y 122XL para cortar y preparar tubos de cobre, tales como los que se nombran en la lista siguiente. El uso de otros accesorios apropiados para otras herramientas

**podría ser peligroso con las máquinas 122 y 122XL para cortar y preparar tubos de cobre.**

No. en el catálogo	No. de modelo	Descripción
33175	2191	Rueda de corte para cobre
34360	—	Tornillo para la rueda de corte 2191
33551	122SS	Rueda de corte para cobre y acero inoxidable
10343	—	Pasador de la rueda de corte 33551
46105	—	Disco quitarrebabas de exterior
94682	—	Escobilla de limpieza de exterior
94687	—	Conjunto de cono escariador de 2"
36662	301A	Interruptor de pie modelo 310A, solo para 120 V
42360	1206	Soporte 1206
94692	—	Hoja del escariador

### Portaescobillas y escobillas para acoplamientos

No. en el catálogo	Descripción
93747	Collarín de conexión rápida
93717	Escobilla para acoplamientos de 1/2" (3 por paquete)
93722	Escobilla para acoplamientos de 3/4" (3 por paquete)
93727	Escobilla para acoplamientos de 1" (3 por paquete)
93732	Escobilla para acoplamientos de 1 1/4" (3 por paquete)
93737	Escobilla para acoplamientos de 1 1/2" (3 por paquete)
93742	Escobilla para acoplamientos de 2" (3 por paquete)
12638	Escobilla para acoplamientos de 2 1/2" (3 por paquete) (solo 122XL)
12643	Escobilla para acoplamientos de 3" a 4" (3 por paquete) (solo 122XL)
93707	El kit portaescobillas para acoplamientos incluye un dispositivo montable para colocar escobillas, un collarín de conexión rápida, una rueda de corte de repuesto y escobillas (de 1/2", 3/4", 1", 1 1/4", 1 1/2", 2")
93712	Portaescobillas para escobillas de acoplamientos

Puede encontrar información adicional sobre los accesorios específicos para esta herramienta en el catálogo RIDGID y en línea en [www.RIDGID.com](http://www.RIDGID.com) o [www.RIDGID.eu](http://www.RIDGID.eu).

### Almacenamiento de la máquina

**⚠ ADVERTENCIA** Mantenga las máquinas 122 y 122XL para cortar y preparar tubos de cobre bajo techo o bien tapadas para protegerlas de la lluvia. Guarde la máquina en un lugar bajo llave que esté fuera del alcance de niños o personas que no estén familiarizadas con las máquinas. Estas máquinas pueden causar graves lesiones en manos de usuarios no capacitados.

### Servicio y reparaciones

#### ⚠ ADVERTENCIA

**La máquina se torna insegura cuando el servicio o la reparación se hacen en forma indebida.**

Las "Instrucciones de mantenimiento" abarcan la mayoría de los servicios que necesita esta máquina. Cualquier

problema que no haya sido tratado en esta sección debe ser resuelto únicamente por un técnico autorizado de RIDGID.

La máquina debe llevarse a un Servicentro Autorizado Independiente de RIDGID o devuelta a la fábrica.

## Eliminación de la máquina

Partes de las máquinas 122 y 122XL para cortar y preparar tubos de cobre contienen materiales valiosos y se pueden reciclar. Hay compañías locales que se especializan en el reciclaje. Deseche los componentes de acuerdo con todos los reglamentos correspondientes. Para más información sobre la eliminación de desechos, comuníquese con la agencia local de eliminación de residuos.



**Para los países de la Comunidad Europea:**  
¡No deseche equipos eléctricos en la basura común!

De acuerdo con el Lineamiento Europeo 2002/96/EC para Desechos de Equipos Eléctricos y Electrónicos y su implementación en la legislación nacional, los equipos eléctricos inservibles deben desecharse por separado en una forma que cumpla con las normas del medio ambiente.

## Resolución de problemas

SÍNTOMA	POSIBLE RAZÓN	SOLUCIÓN
<b>Vibración excesiva durante el funcionamiento.</b>	Está cortando un tubo curvado con la máquina.	No use la máquina para cortar tubos visiblemente curvados. Use un cortador manual o enderece el tubo antes de hacer el corte.
	El tubo es largo y no está correctamente apoyado.	Use soportes para apoyar un tubo largo.
	La máquina no está correctamente montada.	Instale la máquina correctamente sobre una superficie plana y fíjela con los pernos de montaje provistos.
<b>La máquina no corta los tubos correctamente.</b>	La hoja de corte o rueda de corte están desgastadas.	Recambie las hojas o rueda de corte desgastadas.
	El tubo es de un tamaño o de un material que no corresponde a esta máquina.	Use la máquina con los tubos que le correspondan ( <i>vea Especificaciones</i> ).
<b>La máquina se detiene durante el corte.</b>	Se está aplicando demasiada presión sobre la manivela durante el corte.	Presione la manivela suavemente.
<b>Hay demasiadas rebabas en el tubo o se deforma el extremo del tubo.</b>	La rueda de corte está desgastada o dañada.	Recambie la rueda de corte.
	Se está aplicando demasiada presión sobre la manivela durante el corte.	Presione la manivela suavemente.



**RIDGID® 122/122XL Copper Cutting and Prep Machines**

RIDGE TOOL COMPANY  
400 Clark Street  
Elyria, Ohio 44035-6001  
U.S.A.

Ridge Tool Europe NV (RIDGID)  
Schurhovenveld 4820  
3800 Sint-Truiden  
Belgium

**EC DECLARATION OF CONFORMITY**

We declare that the machines listed above, when used in accordance with the operator's manual, meet the relevant requirements of the Directives and Standards listed below.

**DÉCLARATION DE CONFORMITÉ CE**

Nous déclarons que lorsqu'elles sont utilisées selon leur mode d'emploi, les machines indiquées ci-dessus répondent aux exigences applicables des directives et normes ci-après.

**DECLARACIÓN DE CONFORMIDAD DE LA CE**

Declaramos que las máquinas listadas más arriba, cuando se usan conforme al manual del operario, cumplen con los requisitos pertinentes de las directrices y normas listadas a continuación.

**PROHLÁŠENÍ O SHODĚ ES**

Prohlášíme, že výše uvedené nástroje a zařízení splňují při použití v souladu s jejich návodem k obsluze příslušné požadavky níže uvedených směrnic a nařízení.

**EF-OVERENSSTEMMELSESERKLÆRING**

Vi erklærer, at de ovenfor anførte maskiner, ved brug i overensstemmelse med brugervejledningen, opfylder de relevante krav i de nedenfor anførte direktiver og standarder.

**EG KONFORMITÄTSESKLÄRUNG**

Wir erklären, dass die oben aufgeführten Maschinen, wenn sie entsprechend der Bedienungsanleitung verwendet werden, die einschlägigen Anforderungen der folgenden Richtlinien und Normen erfüllen.

**ΔΗΛΩΣΗ ΣΥΜΜΟΡΦΩΣΗΣ ΕΚ**

Δηλώνουμε ότι τα μηχανήματα που αναφέρονται παραπάνω, όταν χρησιμοποιούνται σύμφωνα με το εγχειρίδιο χειρισμού, πληρούν τις σχετικές απαιτήσεις των παρακάτω Οδηγιών και Προτύπων.

**EY-VAATIMUSTENMUKAISUUSVAKUUTUS**

Vakuutamme, että edellä luetellut koneet täyttävät käyttöohjekirjan mukaisesti käytettyinä seuraavien direktiivien ja standardien vaatimukset.

**EU IZJAVA O SUKLADNOSTI**

Izjavljujemo da su gore navedeni strojevi, kada se koriste u skladu s priručnikom za korisnike, sukladni s relevantnim zahtjevima dolje navedenih direktiva i standarda.

**EK MEGFELELŐSÉGI NYILATKOZAT**

Kijelentjük, hogy a fent felsorolt gépek - amennyiben a kezelési útmutatónak megfelelően használják őket - megfelelnek az alább felsorolt irányelvek és Szabványok követelményeinek.

**DICHIARAZIONE DI CONFORMITÀ CE**

Dichiariamo che le macchine elencate in alto, se utilizzate in conformità con il manuale dell'operatore, soddisfano i relativi requisiti delle Direttive e degli Standard specificati di seguito.

**EO СӘЙКЕСТІК МӘЛІМДЕМЕСІ**

Біз жоғарыда көрсетілген құрылғылардың пайдаланушы нұсқаулығына сәйкес пайдаланылған жағдайда төменде көрсетілген Директивалар мен Стандарттардың тиісті талаптарына жауап беретінін мәлімдейміз.

**EG-CONFORMITEITSVERKLARING**

Hierbij verklaren wij dat de hierboven vermelde machines, mits gebruikt in overeenstemming met de handleiding, voldoen aan de relevante eisen van de hieronder vermelde richtlijnen en normen.

**CE-SAMSVARERKLÆRING**

Vi erklærer at maskinene oppført over oppfyller de relevante kravene i direktiver og standarder oppført under dersom de brukes i henhold til bruksanvisningen.

**DEKLARACJA ZGODNOŚCI WE**

Deklarujemy, że maszyny wymienione powyżej, gdy są używane zgodnie z podręcznikiem użytkownika, spełniają właściwe wymagania Dyrektyw i Standardów, wymienione poniżej.

**DECLARAÇÃO DE CONFORMIDADE CE**

Declaramos que as máquinas listadas acima, quando utilizadas de acordo com o manual do operador, cumprem os requisitos relevantes das Diretivas e Normas listadas abaixo.

**DECLARAȚIE DE CONFORMITATE CE**

Declărăm că mașina specificată mai jos, atunci când este utilizată în conformitate cu manualul de exploatare, îndeplinește cerințele relevante ale Directivelor și standardelor specificate mai jos.

**ДЕКЛАРАЦИЯ СООТВЕТСТВИЯ ЕС**

Мы заявляем, что инструменты, перечисленные выше, при условии использования согласно руководству по эксплуатации, отвечают соответствующим требованиям указанных ниже директив и стандартов.

**ES PREHLÁŠENIE O ZHODE**

Vyhlasujeme, že stroje uvedené vyššie spĺňajú relevantné požiadavky smerníc a noriem uvedených nižšie, ak sa používajú podľa návodu na použitie.

**IZJAVA ES O SKLADNOSTI**

Izjavljamo, da zgoraj omenjeni stroji, ko se uporabljajo skladno z uporabniškim priručnikom, izpolnjujejo relevantne zahteve spodaj omenjenih direktiv in standardov.

**EC DEKLARACIJA O USAGLAŠENOSTI**

Izjavljujemo da gore navedeni strojevi, ako se koriste u skladu s priručnikom za korisnike, zadovoljavaju relevantne zahteve direktiva i standarda koji se navode dole.

**EG-FÖRSÄKRAN OM ÖVERENSSTÄMMELSE**

Vi meddelar att maskinen som anges ovan uppfyller de aktuella kraven i de angivna direktiven och standarderna nedan när den används enligt bruksanvisningen.

**AB UYGUNLUK BEYANI**

Yukarıda listelenen makinelerin, kullanıcı kılavuzuna göre kullanıldığında, aşağıda listelenen Direktiflerin ve Standartların ilgili gereksinimlerini karşıladığını beyan ederiz.

**EÜ VASTAVUSDEKLARATSIOON**

Kinnitame, et eelpool loetletud masinad vastavad allpool loetletud direktiivide ja standardite asjakohastele nõuetele, kui neid kasutatakse vastavalt kasutusjuhendile.

**EK ATBILSTĪBAS DEKLARĀCIJA**

Mēs apliecinām, ka iepriekšminētās iekārtas, izmantojot tās saskaņā ar operatora rokasgrāmatu, atbilst attiecīgajām tālāk norādīto direktīvu un standartu prasībām.

**DEARBHÚ COMHRÉIREACHTA AN CE**

Fógraímid go bhfuil na hinnill sa liosta thuas i gcomhréir le riachtanais ábhartha na dTeoracha agus na gCaighdeán sa liosta thíos, ach iad a úsáid de réir an lámhleabhair don oibreoir.

**EB ATITIKTIES DEKLARACIJA**

Deklaruojame, kad pirmiau išvardytos mašinos, jei naudojamos pagal naudotojų vadovą, atitinka atitinkamus toliau išvardytą direktivų ir standartų reikalavimus.

**EO ДЕКЛАРАЦИЯ ЗА СЪОТВЕТСТВИЕ**

Декларираме, че изброените по-горе машини, когато се използват в съответствие с Ръководство за оператора, отговарят на съответните изисквания на директивите и стандартите, изброени по-долу.



2006/42/EC, 2014/35/EC, 2014/30/EU, 2011/65/EU, EN 55014-1/-2, EN 62841-1, EN 61000-3-2/-3-3



Signature: *Harald Krondorfer*  
Name: Harald Krondorfer  
Qualification: V.P. Engineering  
Date: 09/11/2017

Certified to CAN/CSA-C22.2 No. 62841-1 Electric motor-operated hand-held tools, transportable tools and lawn and garden machinery and Conforms to IEC 62841-1 Electric motor-operated hand-held tools, transportable tools and lawn and garden machinery

**What is covered**

RIDGID® tools are warranted to be free of defects in workmanship and material.

**How long coverage lasts**

This warranty lasts for the lifetime of the RIDGID® tool. Warranty coverage ends when the product becomes unusable for reasons other than defects in workmanship or material.

**How you can get service**

To obtain the benefit of this warranty, deliver via prepaid transportation the complete product to RIDGE TOOL COMPANY, Elyria, Ohio, or any authorized RIDGID® INDEPENDENT SERVICE CENTER. Pipe wrenches and other hand tools should be returned to the place of purchase.

**What we will do to correct problems**

Warranted products will be repaired or replaced, at RIDGE TOOL'S option, and returned at no charge; or, if after three attempts to repair or replace during the warranty period the product is still defective, you can elect to receive a full refund of your purchase price.

**What is not covered**

Failures due to misuse, abuse or normal wear and tear are not covered by this warranty. RIDGE TOOL shall not be responsible for any incidental or consequential damages.

**How local law relates to the warranty**

Some states do not allow the exclusion or limitation of incidental or consequential damages, so the above limitation or exclusion may not apply to you. This warranty gives you specific rights, and you may also have other rights, which vary, from state to state, province to province, or country to country.

**No other express warranty applies**

This FULL LIFETIME WARRANTY is the sole and exclusive warranty for RIDGID® products. No employee, agent, dealer, or other person is authorized to alter this warranty or make any other warranty on behalf of the RIDGE TOOL COMPANY.



FULL LIFETIME WARRANTY (garantie légale étendue à la durée de vie du produit, voir conditions de garantie / legal warranty extended to the product lifecycle, see warranty conditions)

**Ce qui est couvert**

Les outils RIDGID® sont garantis contre tous vices de matériaux et de main d'oeuvre.

**Durée de couverture**

Cette garantie est applicable durant la vie entière de l'outil RIDGID®. La couverture cesse dès lors que le produit devient inutilisable pour raisons autres que des vices de matériaux ou de main d'oeuvre.

**Pour invoquer la garantie**

Pour toutes réparations au titre de la garantie, il convient d'expédier le produit complet en port payé à la RIDGE TOOL COMPANY, Elyria, Ohio, ou bien le remettre à un réparateur RIDGID® agréé. Les clés à pipe et autres outils à main doivent être ramenés au lieu d'achat.

**Ce que nous ferons pour résoudre le problème**

Les produits sous garantie seront à la discrétion de RIDGE TOOL, soit réparés ou remplacés, puis réexpédiés gratuitement ; ou si, après trois tentatives de réparation ou de remplacement durant la période de validité de la garantie le produit s'avère toujours défectueux, vous aurez l'option de demander le remboursement intégral de son prix d'achat.

**Ce qui n'est pas couvert**

Les défaillances dues au mauvais emploi, à l'abus ou à l'usure normale ne sont pas couvertes par cette garantie. RIDGE TOOL ne sera tenue responsable d'aucuns dommages directs ou indirects.

**L'influence de la législation locale sur la garantie**

Puisque certaines législations locales interdisent l'exclusion des dommages directs ou indirects, il se peut que la limitation ou exclusion ci-dessus ne vous soit pas applicable. Cette garantie vous donne des droits spécifiques qui peuvent être éventuellement complétés par d'autres droits prévus par votre législation locale.

**Il n'existe aucune autre garantie expresse**

Cette GARANTIE PERPETUELLE INTEGRALE est la seule et unique garantie couvrant les produits RIDGID®. Aucun employé, agent, distributeur ou tiers n'est autorisé à modifier cette garantie ou à offrir une garantie supplémentaire au nom de la RIDGE TOOL COMPANY.

**Qué cubre**

Las herramientas RIDGID® están garantizadas contra defectos de la mano de obra y de los materiales empleados en su fabricación.

**Duración de la cobertura**

Esta garantía cubre a la herramienta RIDGID® durante toda su vida útil. La cobertura de la garantía caduca cuando el producto se torna inservible por razones distintas a las de defectos en la mano de obra o en los materiales.

**Cómo obtener servicio**

Para obtener los beneficios de esta garantía, envíe mediante porte pagado, la totalidad del producto a RIDGE TOOL COMPANY, en Elyria, Ohio, o a cualquier Servicentro Independiente RIDGID®. Las llaves para tubos y demás herramientas de mano deben devolverse a la tienda donde se adquirieron.

**Lo que hacemos para corregir el problema**

El producto bajo garantía será reparado o reemplazado por otro, a discreción de RIDGE TOOL, y devuelto sin costo; o, si aún resulta defectuoso después de haber sido reparado o sustituido tres veces durante el período de su garantía, Ud. puede optar por recibir un reembolso por el valor total de su compra.

**Lo que no está cubierto**

Esta garantía no cubre fallas debido al mal uso, abuso o desgaste normal. RIDGE TOOL no se hace responsable de daño incidental o consiguiente alguno.

**Relación entre la garantía y las leyes locales**

Algunos estados de los EE.UU. no permiten la exclusión o restricción referente a daños incidentales o consiguientes. Por lo tanto, puede que la limitación o restricción mencionada anteriormente no rija para Ud. Esta garantía le otorga derechos específicos, y puede que, además, Ud tenga otros derechos, los cuales varían de estado a estado, provincia a provincia o país a país.

**No rige ninguna otra garantía expresa**

Esta GARANTIA VITALICIA es la única y exclusiva garantía para los productos RIDGID®. Ningún empleado, agente, distribuidor u otra persona está autorizado para modificar esta garantía u ofrecer cualquier otra garantía en nombre de RIDGE TOOL COMPANY.

©2004, 2017, RIDGID, Inc.

The Emerson logo and RIDGID logo are registered trademarks of Emerson Electric Co. or RIDGID, Inc. in the U.S. and other countries. All other trademarks belong to their respective holders.

999-998-069.10  
REV. C

Printed 9/17  
EC43094

**RIDGID**

**EMERSON**

1.800.561.8187

www.itm.com

information@itm.com