

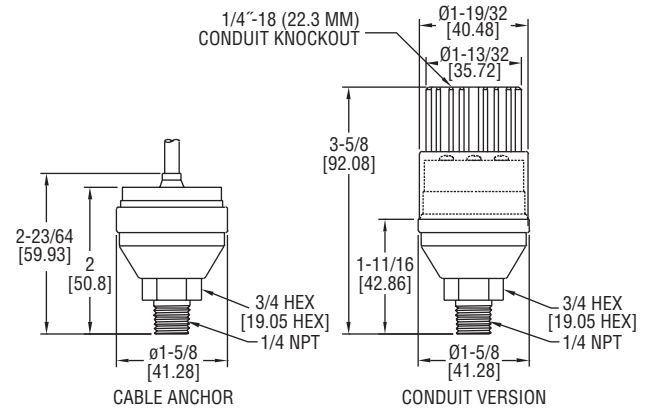


Series 673 Pressure Transmitter

Specifications - Installation and Operating Instructions



Conduit Version



The low cost Series 673 Pressure Transmitter is a fixed range transmitter designed for harsh environments and suitable for high shock and vibration applications. Constructed of stainless steel, the Series 673 provides a 4-20 mA output signal with 0.25% accuracy. Use the Series 673 in industrial OEM equipment, hydraulic systems, HVAC equipment, industrial engines and compressor controls.

INSTALLATION

Electrical Connections

The Series 673 Pressure Transmitter is a true 2-wire, 4-20 mA current output device and delivers rated current into any external load of 0-800 ohms. The transmitter has a two wire cable where red is positive and black is negative. Connect shield to system or earth ground.

The 4-20 mA current output units are designed to have current flow in one direction only - please observe polarity. We suggest that the electrical cable shield be connected to the system's loop circuit ground to improve electrical noise rejection.

Media Compatibility

These transmitters are designed to be used with any gas or liquid compatible with 17-4 PH stainless steel.

Pressure Fitting

Typically, standard pipe fittings and procedures should be used. However, for pressure ranges in excess of 500 psig, we suggest the use of a sealant. Excessive torquing of metal fittings may cause a slight zero shift. The use of plastic fittings typically results in no noticeable zero shift. Torquing does not appreciably affect linearity or sensitivity.

MAINTENANCE

Upon final installation of the Series 673 Pressure Transmitter, no routine maintenance is required. A periodic check of system calibration is recommended. The Series 673 is not field serviceable and should be returned if repair is needed (field repair should not be attempted and may void warranty). Be sure to include a brief description of the problem plus any relevant application notes. Contact customer service to receive a return goods authorization number before shipping.

SPECIFICATIONS

Service: Compatible, non-combustible liquid, gas, or vapor.

Wetted Materials: 17-4 PH stainless steel.

Accuracy: RSS* (at constant temperature) $\pm 0.25\%$.

Non-Linearity: (BFSL) $\pm 0.22\%$ FS;

Hysteresis: 0.10% FS;

Non-Repeatability: 0.05% FS.

Temperature Limits: -40 to 185°F (-40 to 85°C).

Pressure Limits: 2 X full scale range.

Compensated Temperature Range: -40 to 176°F (-40 to 80°C).

Thermal Effects: Zero Shift: $\pm 2.0\%$ FS/100°F ($\pm 1.8\%$ FS/50°C); Span Shift: $\pm 1.5\%$ FS/100°F ($\pm 1.3\%$ FS/50°C); Warm-up Shift: $\pm 0.1\%$ FS total.

Stability: 0.5% FS/year.

Response Time: 5 milliseconds.

Supply Voltage: 9-30 VDC.

Output: 4-20 mA**, 2-wire.

Zero and Span Adjustment: Fixed.

Loop Resistance: 0 to 800Ω.

Shock: 200 g.

Vibration: 20 g.

Electrical Connections: 2 ft (61 cm) multi-conductor cable.

Conduit Models: 1/4"-18 (22.3 mm) knockout.

Enclosure: Stainless steel and Valox.

Weight: 2.3 oz (65 g).

Agency Approvals: CE.

*RSS of non-linearity, non-repeatability and hysteresis

**Zero output factory set to within ± 0.16 mA.

**Span (full scale) output factory set to within ± 0.16 mA.