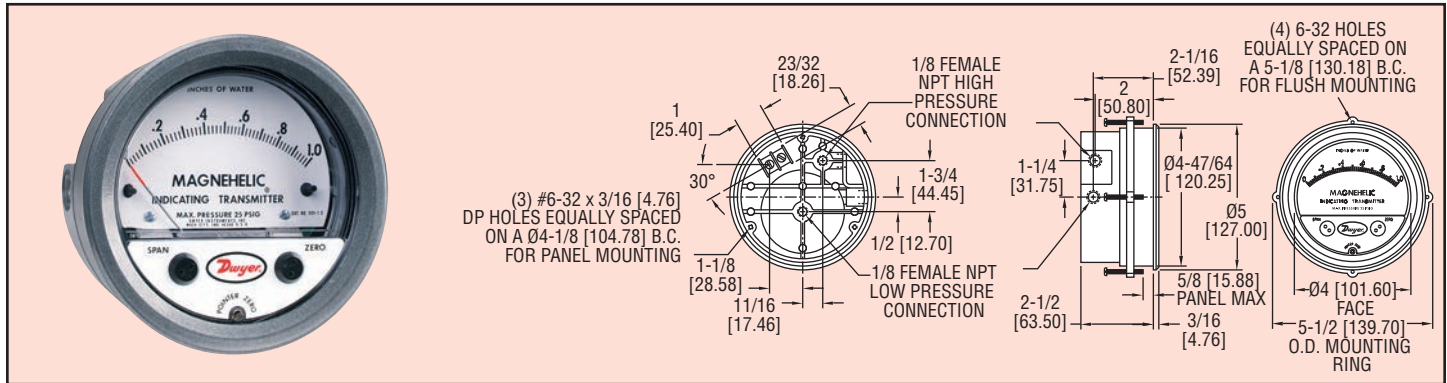




Series  
605

# Magnehelic® Differential Pressure Indicating Transmitter



The Series 605 Magnehelic® Indicating Transmitter provides for both visual monitoring and electronic control of very low differential pressure. The Series 605 is ideal for control applications in building HVAC systems where local indication is desired during routine maintenance checks or necessary when trouble shooting the system. The easily read dial gage is complimented by the two-wire, 4-20 mA control signal utilizing the time-proven Dwyer® Magnehelic® gage mechanical design and Series 600 transmitter technology. The 2-wire design with terminal strip on the rear simplifies connection in any 4-20 mA control loop powered by a 10-35 VDC supply.

## SPECIFICATIONS

### GAGE SPECIFICATIONS

**Service:** Air and non-combustible, compatible gases.

**Wetted Materials:** Consult factory.

**Accuracy:** See chart.

**Stability:** ±1% FS/yr.

**Pressure Limits:** See chart.

**Temperature Limits:** 20 to 120°F (-6.67 to 48.9°C).

**Process Connections:** 1/8" female NPT.

**Size:** 4" (101.6 mm) dial face, 5" (127 mm) OD x 2-11/16" (68.3 mm).

**Weight:** 1 lb, 12.6 oz (811 g).

**Agency Approvals:** CE.

### TRANSMITTER SPECIFICATIONS

**Accuracy:** See chart (includes linearity, hysteresis, repeatability).

**Temperature Limits:** 20 to 120°F (-6.67 to 48.9°C).

**Compensated Temperature Range:** 32 to 120°F (0 to 48.9°C).

**Thermal Effect:** ±0.025% FS/°F (0.045% FS/°C).

**Power Requirements:** 10-35 VDC (2-wire).

**Output Signal:** 4 to 20 mA.

**Zero and Span Adjustments:** Protected potentiometers.

**Loop Resistance:** DC; 0-1250 Ω max.

**Current Consumption:** DC; 38 mA max.

**Electrical Connections:** Screw terminal block.

**Mounting Orientation:** Diaphragm in vertical position. Consult factory for other position orientations.

Model	Range in w.c.	Maximum Pressure	Electrical Accuracy ±%	Mechanical Accuracy ±%
605-00N	.05-0-.20	25 psi (1.7 bar)	2	4
605-11	.25-0-.25	25 psi (1.7 bar)	2	3
605-0	0-.50	25 psi (1.7 bar)	2	3
605-1	0-1.0	25 psi (1.7 bar)	2	2
605-2	0-2.0	2 psi (13.79 kPa)	0.5	2
605-3	0-3.0	2 psi (13.79 kPa)	0.5	2
605-6	0-6.0	2 psi (13.79 kPa)	0.5	2
605-10	0-10	2 psi (13.79 kPa)	0.5	2
605-20	0-20.0	11 psi (75.8 kPa)	0.5	2
605-30	0-30	11 psi (75.8 kPa)	0.5	2
605-50	0-50	11 psi (75.8 kPa)	0.5	2
	Range in Pa			
605-60PA	0-60	25 psi (1.7 bar)	2	4
605-125PA	0-125	25 psi (1.7 bar)	2	3
605-250PA	0-250	25 psi (1.7 bar)	2	2
605-500PA	0-500	2 psi (13.79 kPa)	0.5	2

## ACCESSORIES

**A-298,** Flat Aluminum Bracket - for flush mounting

**A-370,** Mounting Bracket - flush mount Series 605 Transmitter in bracket. Bracket is then surface mounted. Steel with gray hammertone epoxy finish

## OPTION

For NIST traceable calibration certificate, add suffix -NIST to model numbers.

Example: 605-3-NIST.

Process Tubing Options: See page 547 (Gage Tubing Accessories)  
Static Fitting Options: See page 548 (Static Pressure Tips)