

ABSOLUTE Digimatic Height Gage

SERIES 570 — with ABSOLUTE Linear Encoder



FEATURES

- Built in ABSOLUTE linear encoder
This encoder eliminates the necessity of setting the reference point at every power-on. It has improved reliability because no over-speed error will occur.
- Fine-adjustment carriage to feed the slider finely.
- Carbide-tipped scriber is provided.
- With SPC data output.



SPECIFICATIONS

Metric				
Range	Order No.	Accuracy	Resolution	Mass (kg)
0 - 200mm	570-227	±0.03mm	0.01mm	1.4
0 - 1000mm	570-230	±0.07mm	0.01mm	16.8

Inch/Metric				
Range	Order No.	Accuracy	Resolution	Mass(kg)
0 - 8" / 0 - 200mm	570-244	±.001"	.0005" / 0.01mm	1.4
0 - 40" / 0 - 1000mm	570-248	±.003"	.0005" / 0.01mm	16.8

Technical Data

Accuracy: Refer to the list of specifications.
 Resolution: .0005"/ 0.01mm or 0.01mm
 Display: LCD, 6-digit
 Length standard: ABSOLUTE electrostatic capacitance type linear encoder
 Max. response speed: Un limited
 Battery: SR44 (1 pc.), **938882**
 Battery life: Approx. 5000 hours under normal use

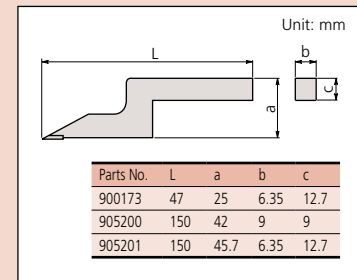
Function

Origin setting, ABS/INC switching, Presetting, +/- switching, Data hold, Data output, inch/mm conversion (on inch/metric models only)
 Alarm: Low voltage, Counting value composition error

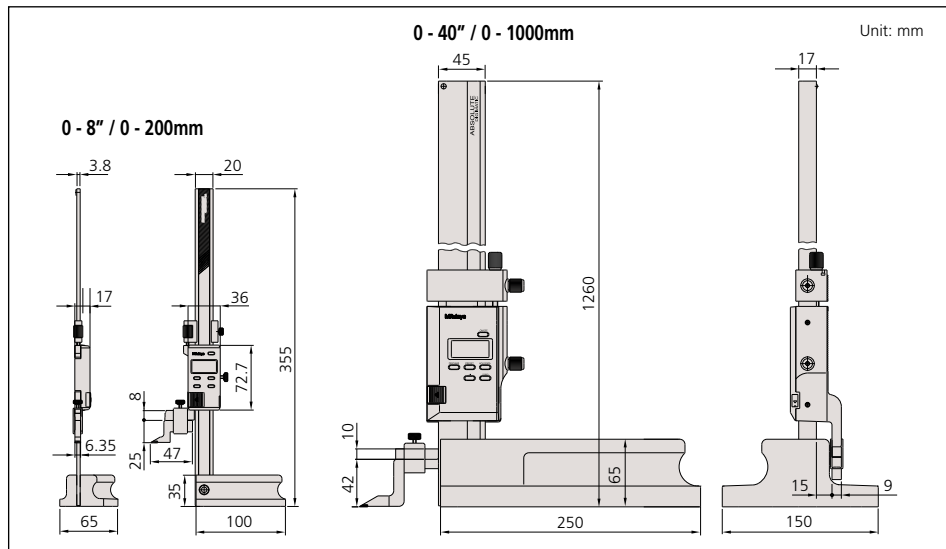
Standard Scriber Provided

Metric models: Carbide-tipped scriber (**900173/905200***) and scriber clamp (**901338/05GZA033***)
 *0 - 1000mm model
 Inch/Metric models: Carbide-tipped scriber (**900173/905201***) and scriber clamp (**901338/901385***)
 *0 - 40" model

Dimension of scriber



DIMENSIONS



Optional Accessories

- 905338:** SPC cable (40" / 1m)
- 905409:** SPC cable (80" / 2m)
- 953638:** Holding bar for test indicator (length: 50mm)
- 953639:** Holding bar for test indicator (length: 2")
- 902053:** Swivel clamp used with holding bar (metric)
- 900322:** Swivel clamp used with holding bar (inch)