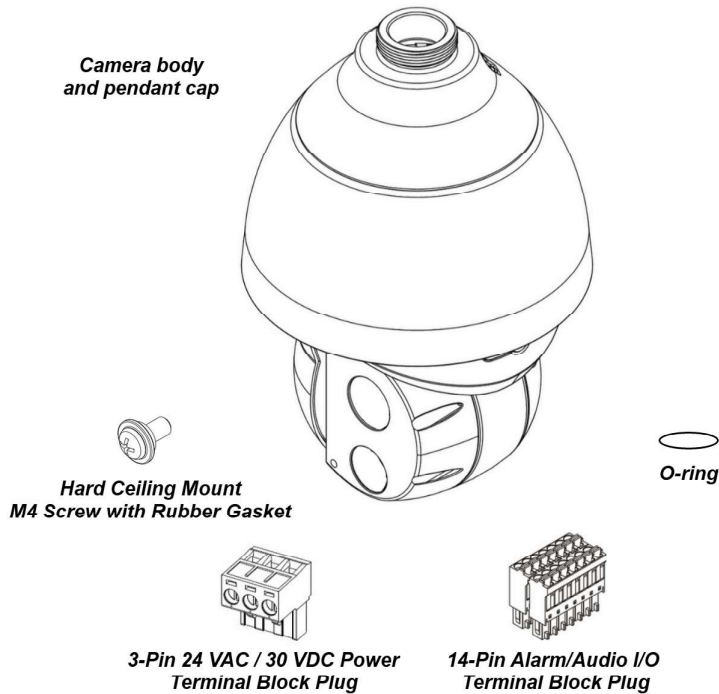




Saros™ PTZ DM-Series Camera Quick Install Guide



Items Included in Kit (not to scale)

1 Check Contents

Make sure all of the items above are included in the camera kit.

2 Prepare to Install the Camera

2.1 Install FLIR Discovery Network Assistant

Download the FLIR Discovery Network Assistant (DNA) tool to a computer on the same VLAN to which you will connect the camera, and then unzip the file. The DNA tool does not require a license to use and is a free download from

2.2 Perform a Bench Test (Optional)

You can test the camera or configure it for networking before mounting it. Follow the instructions in [3.4 Connect the Camera](#) and [4.1 Configure for Networking](#), and then continue with [2.3 Select a Location](#).

427-0200-01-10 Rev 120

October 2021

This document does not contain any export-controlled information.

2.3 Select a Location

Select a suitable location to mount the camera.

For advice on positioning and orienting the camera, see the camera's installation and user guide.

Verify that the operating temperature range is between $-40^{\circ} \sim 55^{\circ} \text{C}$ ($-40^{\circ} \sim 131^{\circ} \text{F}$), 10-90% relative humidity (non-condensing).

For the list of mounting accessories available for the camera, see the *FLIR Security Cameras - Accessory Guide*.

3 Install the Camera

3.1 Fit Mounting Hardware

If required, install the mounting hardware for the camera according to the instructions in the camera's installation and user guide.

3.2 Route Network and Power

Properly install the power and network cabling in the mounting hardware so that it is accessible when the camera is mounted.

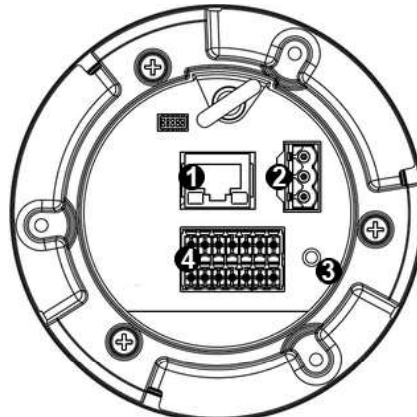
Power: Universal Power over Ethernet (PoE) 60W 4 pair forced mode, 24 VAC, or 30 VDC.


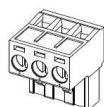

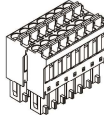
Ethernet: Cat5e or Cat6 cable. Ethernet is required for streaming video and configuring the camera.

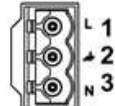
3.3 Mount and Secure the Camera

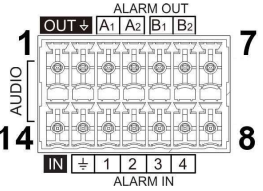
Mount and secure the camera according to the instructions in the camera's installation and user guide.

3.4 Connect the Camera



Connector		Connection	
1	UPOE	Attach a Cat 5e or Cat 6 cable from the network switch to the RJ45 connector for a 10/100/1000 Mbps Ethernet and PoE connection. If using PoE, use a FLIR CP-POE-4P-60W-xx injector or a switch that supports Universal PoE 60W 4 pair forced mode. For more information about compatible injectors and recommended switches, contact Teledyne FLIR support. Verify that the UPOE connector LEDs are steady green and flashing yellow.	
2	AC24V (DC30V) IN	If using a 24 VAC or 30 VDC power supply, connect it to the three-pin power terminal block plug according to the pin assignment shown.	
3	DEFAULT	To reset factory defaults at any time, press the Default button for at least 20 seconds.	
4	14-pin terminal block	Attach wires from external alarm and audio I/O devices to the 14-pin alarm/audio I/O terminal block plug according to the pin assignment shown.	

3-Pin Power Terminal Block	Pin	24 VAC	30 VDC
	1	L (Live; white; positive)	Pins 1 and 3 (polarity N/A)
	2	Ground (Earth)	
	3	N (Neutral; black; negative)	

14-Pin Alarm/Audio I/O Terminal Block	Pin	Definition	Pin	Definition
	1	Audio-Out	8	Not used
	2	Ground (Audio I/O)	9	Alarm-In 4
	3	Alarm-Out A1	10	Alarm-In 3
	4	Alarm-Out A2	11	Alarm-In 2
	5	Alarm-Out B1	12	Alarm-In 1
	6	Alarm-Out B2	13	Ground (Alarm I/O)
	7	Not used	14	Audio-In



Warning!

This product contains a battery that is soldered to the PCB. There is a risk of explosion if the battery is replaced by an incorrect type. **Do not replace the battery.** The battery should be disposed of in accordance with the battery manufacturer's instructions.

4 Configure the Camera

You can configure the camera using the DNA tool, the camera's web page, or a VMS.

427-0200-01-10 Rev 120

October 2021

This document does not contain any export-controlled information.

	DNA tool	Camera's web page
Discover camera IP address	•	
Configure IP address, mask, and gateway	•	•
Configure DNS settings, MTU, and Ethernet speed		•
Change user credentials	•	•
Configure more than one camera at the same time	•	


For more information about using a VMS to configure one or more cameras at the same time, see the VMS documentation.

4.1 Configure for Networking

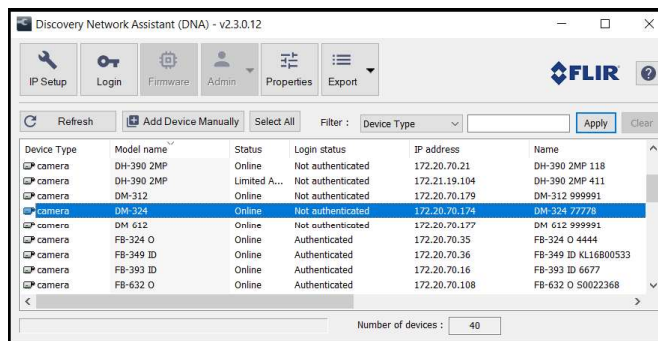
By default, DHCP is enabled on the camera and a DHCP server on the network assigns the camera an IP address. For example, if the camera is managed by a FLIR Horizon or Meridian VMS and the VMS is configured as a DHCP server, the VMS automatically assigns the camera an IP address.

If the camera is managed by a FLIR Latitude VMS or is on a network with static IP addressing, you can manually specify the camera's IP address using the DNA tool or the camera's web page. The camera's default IP address is 192.168.0.250.

To configure the camera for networking using the DNA tool:

- Make sure the camera and the PC are on the same LAN segment.
- Run the DNA tool (DNA.exe) by double-clicking .

The Discover List appears, showing compatible devices on the VLAN and their current IP addresses.



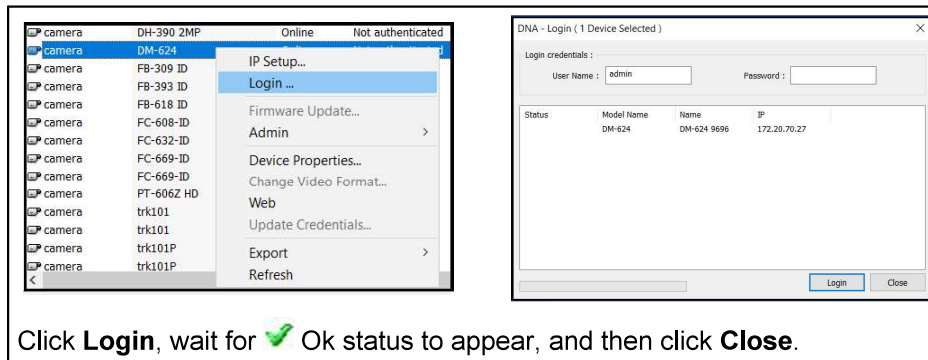
In the DNA Discover List, verify that the camera's status is *Online*.

If this is the first time you are configuring the camera or if it is the first time after resetting the camera to its factory defaults, DNA automatically authenticates the camera with the default password for the camera's admin user (*admin*).

If the admin user password has been changed, authenticate the camera.

In the DNA Discover List, right-click the camera and select **Login**.

In the **DNA - Login** window, type the password for the admin user. If you do not know the admin user password, contact the person who configured the camera's users and passwords.



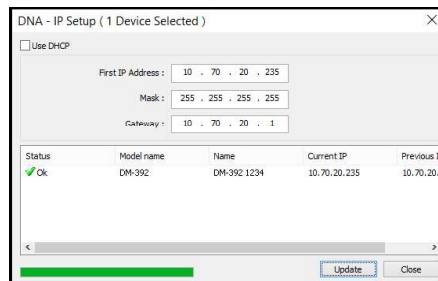
In the DNA Discover List, verify that the camera's status is *Authenticated*.

- d. Change the camera's IP address.

Right-click the camera and select **IP Setup**.

In the **DNA - IP Setup** window, clear *Use DHCP* and specify the camera's *IP address*. You can also specify the *Mask* (default: 255.255.255.0) and *Gateway*.

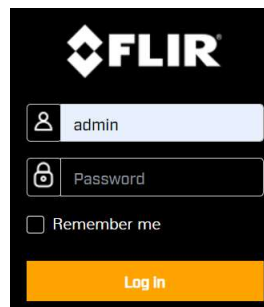
Then, click **Update**, wait for Ok status to appear, and then click **Close**.



To configure the camera for networking using the camera's web page:

- a. Open the camera's web page by double-clicking the camera in the DNA Discover List or by typing the camera's IP address in a web browser's address bar. The camera's web page supports Google Chrome® and other popular web browsers.

- b. On the login screen, type *admin* for the user name and the password for the admin user (default: *admin*).



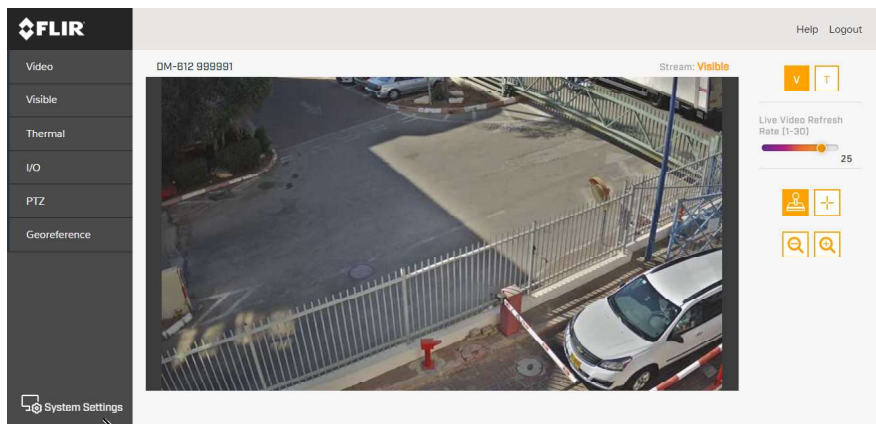
- c. When logging in to the camera for the first time or for the first time after performing a factory default, specify a new password for the admin user.

Note Use a strong password consisting of at least 12 characters and at least one uppercase letter, one lowercase letter, and one number. Passwords can include the following special characters: |@#~!\$&<>+_-,*?=.

Log back in with the new password.

The camera's View Settings Home Page opens.

- d. Click **System Settings**.



System Settings

Make sure the Network page appears.

- e. You can select *Static* and manually specify the camera's *Hostname*, *IP address*, *Netmask*, and *Gateway*. You can also specify the *DNS Mode*, *Name Servers*, *MTU* (maximum transmission unit), and *Ethernet Speed*.

The image shows the 'NETWORK' configuration page in the FLIR camera web interface. The page has a header with 'NETWORK', 'DATE & TIME', and 'USERS'. Below the header, there are two tabs: 'DHCP' and 'Static'. The 'Static' tab is selected. The page contains several form fields: 'Hostname Mode' (a dropdown menu set to 'Static'), 'Hostname' (a text input field), 'IP' (a text input field), 'Netmask' (a text input field), 'Gateway' (a text input field), 'DNS Mode' (a dropdown menu set to 'DHCP'), 'Name Server 1' (a text input field), 'Name Server 2' (a text input field), 'MTU' (a text input field), and 'Ethernet Speed' (a dropdown menu set to 'Auto'). At the bottom of the page, there is a '< BACK TO VIEW SETTINGS' link.

- f. Click **Save**. If you have made any changes on the Network page, the camera reboots.



Note

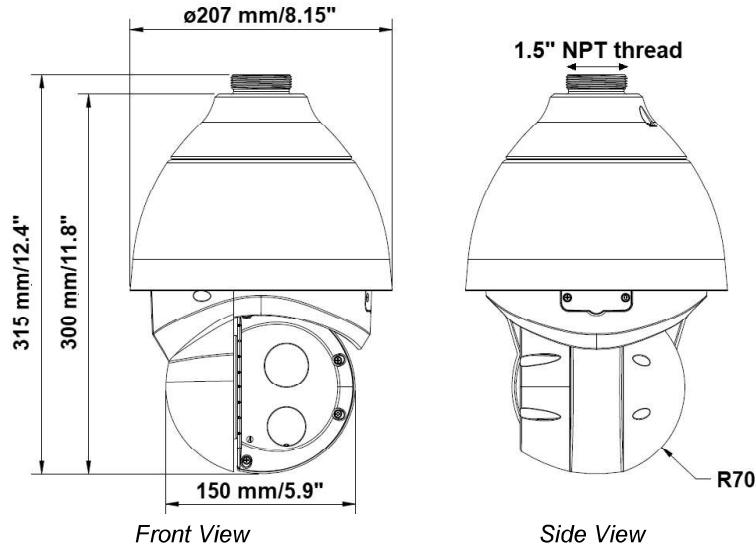
For more information about configuring the camera for networking, see the camera's installation and user guide.

4.2 Attach the Camera to a Supported VMS

After you have mounted the camera and discovered or defined its IP address, use VMS Discovery/Attach procedures to attach the camera to a supported VMS.

5 Camera Dimensions

Following are the Saros PTZ DM-Series camera's dimensions.



427-0200-01-10 Rev 120

This document does not contain any export-controlled information.

October 2021