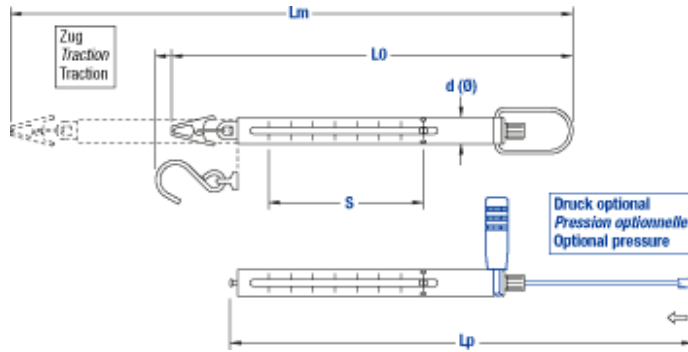



Item no. 40300 – Medio-Line Spring Scale, metric, 300 g



Technical data

Item no.	40300
Capacity	300 g
Division	2 g
Color	black
Precision	± 0.3%
Tare (zero adjustment)	~ 20%
Exchange of lower suspension	"click and go" system
Standard suspension	
S (Scale length)	100 mm
L0 (Length without load)	220 mm
Lm (Maximum length)	320 mm
Lp (with optional pressure set 4.004)	300 mm
Ø (Diameter)	12 mm
Components	non-corroding (clip only protected)
Net weight	32 g
Gross weight	47 g
Measuring position	free choice
Calibration by user	not applicable (only by manufacturer)
Manual	DE/EN/FR/IT/ES/PT/NL
Packaging	transparent designer case
Warranty	3 years
Code EAN13	7612348403004
Customs Tarif	8423.8100
Country of origin	Switzerland (CH)



Brief product information

Precise and handy Spring Balance with durable anodised aluminium tube and long scale of high resolution. Tare and zero adjustment. Swivelable, rotatable and removable suspension bow, guided in a ring. Lower suspension swivels, rotates and can be easily changed using different accessories. Measurement of breaking forces up to 1000 g (optional drag pointer no. 4.012 recommended). A multifunctional long life measuring instrument for weighing and measuring traction forces. Optional pressure measurement with accessory – two functions in one instrument. Always ready for use, needs no batteries. A time-tested original Swiss quality product.

Optional Accessories

The accessory 4.004 transforms all Medio-Scales to pressure dynamometers within seconds.