



Specification 3602 White on black, decimals black
Display on white 0.25in" (6.4mm) figures.
Base Material Stainless Steel
Cover Material Grey ABS plastic
Drive Shaft 0.275" (7mm) diameter
Bearings Bronze, oil impregnated for life
Operating Torque 180g.cm (2.5oz.in) at 1:1 gearing
Max. Shaft Speed 3000RPM
Max. Count Speed 3000CPM
Operating Temp. -10°C to +50°C
Storage Temp. -20°C to +50°C
Environ. Protection IP40
Nett Weight 280g

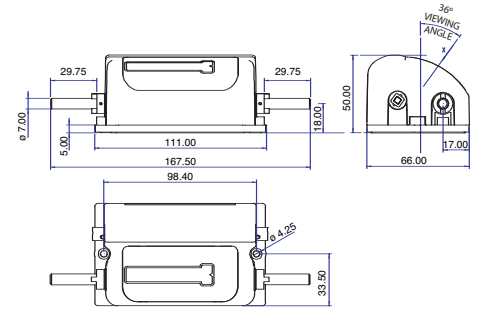
Description 3602

Robustly constructed for continuous operation at high speeds with the main shaft running in double oil impregnated bearings to ensure accurate, long term, trouble free service. Supplied double drive with wing bush, customer configurable reset.

Features 3602

- 6 digit 6.4mm (0.25in) readout.
- Up to 3000 counts per minute with 1:1 gear ratio.
- Front viewing.
- Reset to zero.
- Reset by lever.

Dimensions 3602



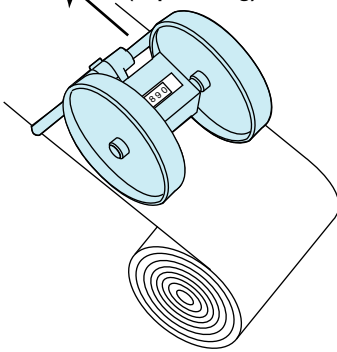
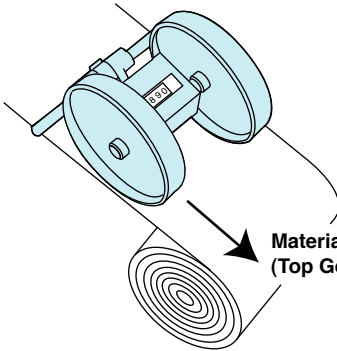
Measuring Wheels

The measuring wheels supplied can be 18", 12", 1/2m or 1/3m circumference (please specify when ordering).

MEASURING WHEEL ORDERING INFORMATION

MATERIAL	WIDTH	12" circumference	18" circumference	1/3m circumference	1/2m circumference
Rubber Covered Plastic	5/8" (16mm)	007571	007573	007905	007574

3600 MECHANICAL COUNTER RANGE (ORDER CHART)

COUNTER TYPE	NUMBER OF DECIMAL PLACES	FIG WHEEL READING	GEAR RATIO	DRIVE DIRECTION
3602- FRONT VIEWING	0 NO DECIMAL PLACES	0 FULL FIGURES (PLAIN)	0 1:10	TC TOP COMING Material Direction (Top Coming) 
	1 ONE DECIMAL PLACE	1 0 - 11" FIG WHEEL (FEET & INCHES)	1 1:1	
		2 0 - 9" FIG WHEEL (FEET & TENTHS)	2 2:1	
		3 0 - 9" FIG WHEEL (YARDS & TENTHS)	3 3:1	
ALL COUNTERS ARE 6 DIGIT RESET POSITION IS CUSTOMER SELECTIVE DOUBLE DRIVE SHAFT WITH WING BUSHES FITTED AS STANDARD EXAMPLE OF CODING: 3602 - 117TG 3602 = FRONT VIEWING 1 = ONE DECIMAL PLACE 1 = 0-11" FIG WHEEL (FEET & INCHES) 7 = 2:3 TG = TOP GOING 3602-117TG = 99999 - 11 / 2:3 / TOP COMING		4 FULL FIGURES (FEET)	4 4:1	TG TOP GOING 
		5 FULL FIGURES (YARDS)		
		6 FULL FIGURES (METRES)		
			7 2:3	
		9 0 - 9cm FIG WHEEL WITH 100 LINES(M/cm)		