

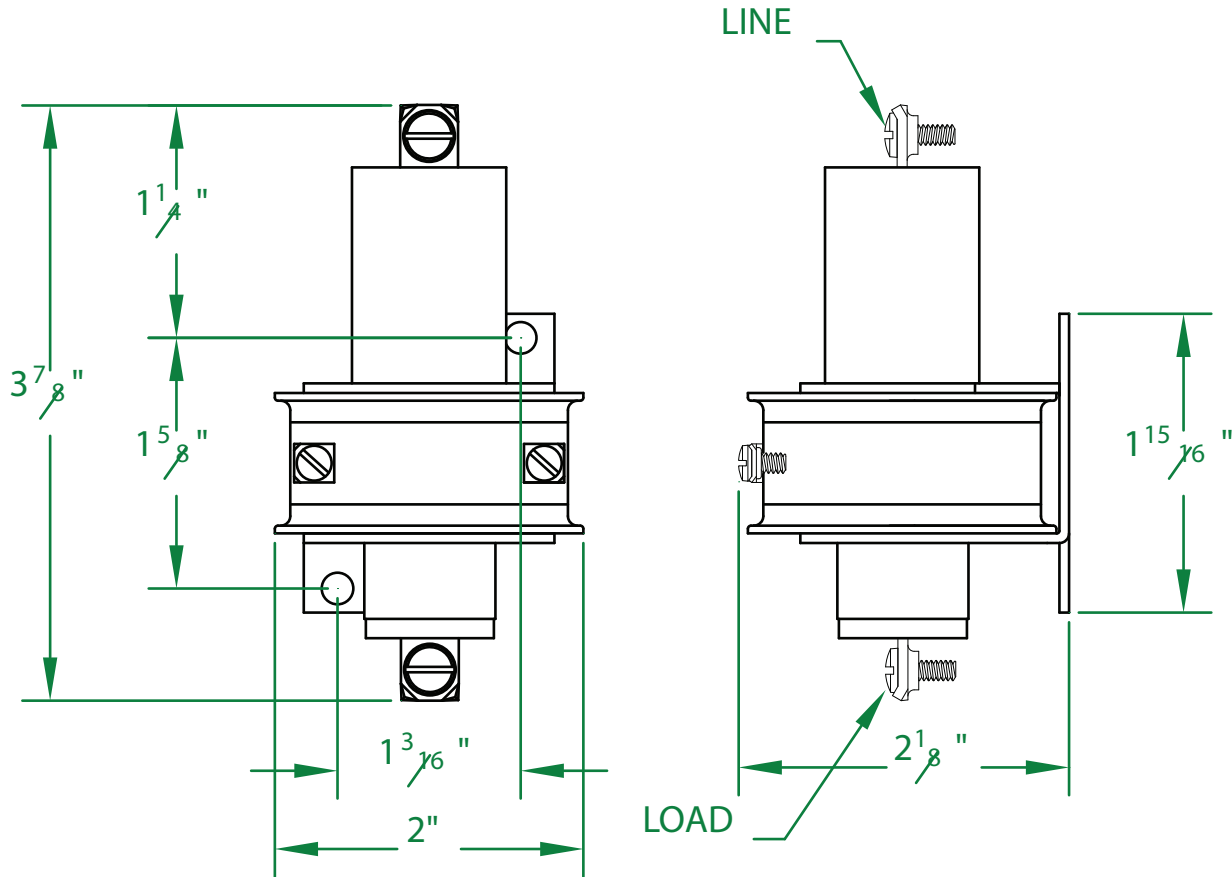


MERCURY DISPLACEMENT INDUSTRIES, INC.



INDUSTRIAL CONTROL EQUIPMENT

30NO-120A



- * CONTACT RESISTANCE .003 ohms
- * DIELECTRIC WITHSTAND 2,500 VAC RMS
- * OPERATE TIME 50 MILLISECONDS
- * RELEASE TIME 80 MILLISECONDS
- * RATINGS:
 CONTACTS: 30 AMP @ 600 VAC
 RESISTIVE
 COIL: 120V 50/60 Hz
 RESISTANCE: 725 Ω
 CURRENT: 65 mA
 VA: 7.8 WATTAGE: 3.1

- * TEMPERATURE RANGE -35° TO +85° C
- * COIL TERMINALS #6 BINDING HEAD SCREWS
- * LOAD TERMINALS #8 BINDING HEAD SCREWS
- * SINGLE POLE / SINGLE THROW
- * MAGNETICALLY ACTIVATED
- * MERCURY CONTACTOR

* LIFE CYCLE ENDURANCE TESTS: U.L. 508 @ 100,00 & CSA 22.2 @ 250,000 CYCLES

Contactors - Relays - Switches