

# Brass Case, Liquid Filled



## 300 SERIES

- High quality, heavy-duty liquid filled gauge
- Vacuum and compound ranges through 0 psi to 15,000 psi
- 2-1/2" and 4" gauge sizes
- Die cast brass case with natural brass finish
- Copper alloy or 316 stainless steel and brass wetted parts

### OPERATING SPECIFICATIONS

#### 1. Working Pressure Limitations

##### a. Dynamic Pressure

The working pressure should be limited to 60% of the dial range.

##### b. Static Pressure

The working pressure, where no sharp fluctuations occur, should be limited to 90% of the dial range.

### APPLICATIONS

- Automotive
- Construction
- Hydraulics & pneumatics
- Mining
- Stamping & forming presses
- Transportation

	SERIES	SPECIFICATIONS
Pressure ranges	300 Series (all)	Vacuum and compound ranges through 0 psi to 15,000 psi
Accuracy	25-300, 25-310	±1.6% full scale
	40-300, 40-310	± 1% full scale
Temperature ranges*	300 Series (all)	Media -4 °F to 140 °F (-20 °C to 60 °C) Ambient 0 °F to 160 °F (-18 °C to 71 °C) Optional temperature ratings available from -40 °F to 212 °F (-40 °C to 100 °C)
Measuring element	25-300, 25-310 (≤ 600 psi)	Copper alloy "C" tube
	25-300, 25-310 (800 psi to 6,000 psi)	Copper alloy coiled safety tube
	25-300, 25-310 (7,500 psi to 15,000 psi)	316 stainless steel coiled safety tube
	40-300, 40-310 (≤ 1,000 psi)	Copper alloy "C" tube
	40-300, 40-310 (15,000 psi)	316 stainless steel coiled safety tube
Connection	25-300, 25-310	1/4" NPT die-cast brass with the case. 7/16" - 20 SAE adjustable type straight thread with FKM O-ring is also available as a stock option on many ranges (-4 SAE).
	40-300, 40-310	1/4" NPT die-cast brass with the case. 1/2" NPT is available on certain 40-300 ranges as a stock option, and on all other 40-300 and 40-310's as a non-stock option.
Case	300 Series (all)	Die cast brass (natural brass finish) with safety relief plug
Cover ring	300 Series (all)	Polished brass
Lens	300 Series (all)	Acrylic with o-ring seal
Pointer	300 Series (all)	Balanced aluminum, black finish
Dial	300 Series (all)	Aluminum, white background with black scale. UV resistant.
Movement	300 Series (all)	Brass and nickel-silver with highly polished bearing surfaces
Fill liquid**	300 Series (all)	Glycerin

For details on accuracy/standard dial configuration and dial layouts, see pages 54-59.

\* For every 18 °F (10 °C) shift in temperature from which the gauge is calibrated, the user can experience up to ±0.4% additional error.

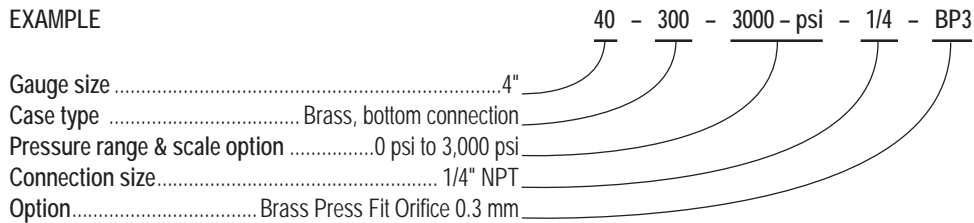
\*\* See page 53 for gauge fill options.

ORDERING INFORMATION						
GAUGE SIZES	25	2-1/2"	40	4"		
CASE TYPES	300	Brass, bottom connection		310	Brass, back connection	
PRESSURE RANGES	30vac	-30 inHg to 0 psi		30/300	-30 inHg to 0 to 300 psi	
	30/15	-30 inHg to 0 to 15 psi		15	0 psi to 15 psi	
	30/30	-30 inHg to 0 to 30 psi		30	0 psi to 30 psi	
	30/60	-30 inHg to 0 to 60 psi		60	0 psi to 60 psi	
	30/100	-30 inHg to 0 to 100 psi		100	0 psi to 100 psi	
	30/160	-30 inHg to 0 to 160 psi		160	0 psi to 160 psi	
	30/200	-30 inHg to 0 to 200 psi		200	0 psi to 200 psi	
		300	0 psi to 300 psi		3000	0 psi to 3,000 psi
	400	0 psi to 400 psi		5000	0 psi to 5,000 psi	
	600	0 psi to 600 psi		6000	0 psi to 6,000 psi	
	800	0 psi to 800 psi		7500	0 psi to 7,500 psi	
	1000	0 psi to 1,000 psi		10000	0 psi to 10,000 psi	
	1500	0 psi to 1,500 psi		15000	0 psi to 15,000 psi	
	2000	0 psi to 2,000 psi				
SCALE OPTIONS	psi	psi single scale		psi/kPa	psi/kPa dual scale	
				psi/kg/cm <sup>2</sup>	psi/kg/cm <sup>2</sup> dual scale	
CONNECTION SIZES	1/4	1/4" NPT		1/2	1/2" NPT	
OPTIONS	CFF	Chrome Front Flange		RF	Rear Flange	
	CFFN	Chrome Front Flange w/o holes		CCR	Chrome Cover Ring	
	BFF	Brass Front Flange		CBU	Chrome Bezel & U-Clamp	
	BLFF	Black Front Flange		MIP	Maximum Indicating Pointer	
	SSRF	304SS Rear Flange		LL	Polycarbonate Lens	
				GLO	Glass Lens Overlay	
				SGO	Safety Glass Overlay	
				AR	Adapter Ring	
				LM	Laser Marking	
				ST	Stainless Steel Tagging	
				BT3	Brass Threaded Orifice 0.3 mm	
				BT4	Brass Threaded Orifice 0.4 mm	
				BT8	Brass Threaded Orifice 0.8 mm	

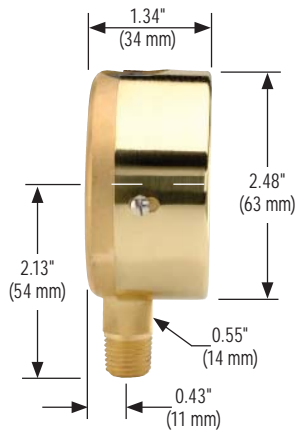
Please consult your local NOSHOK Distributor or NOSHOK, Inc. for availability and delivery information.

NOTE: Refer to 300 Series Options & Accessories chart on page 51 for availability by part number.

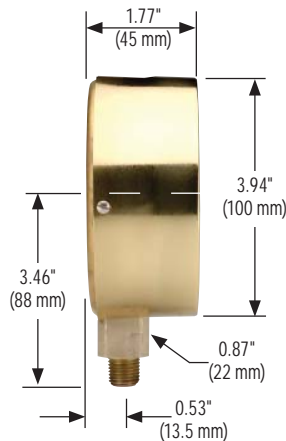
### EXAMPLE



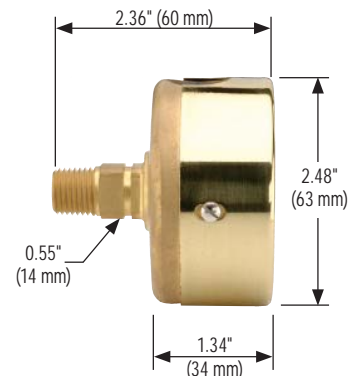
25-300



40-300

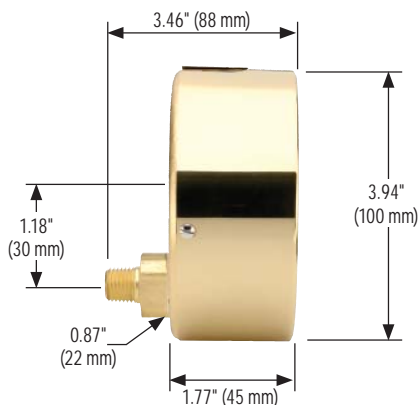


25-310

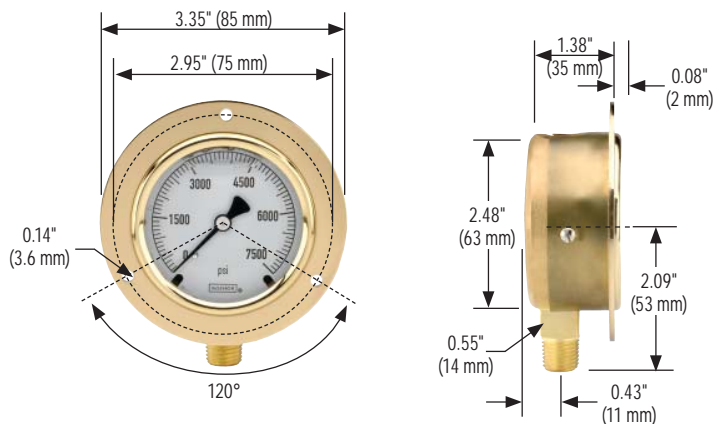


# Dimensions

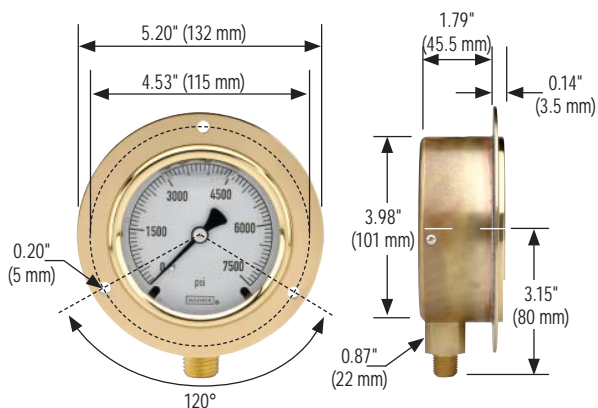
40-310



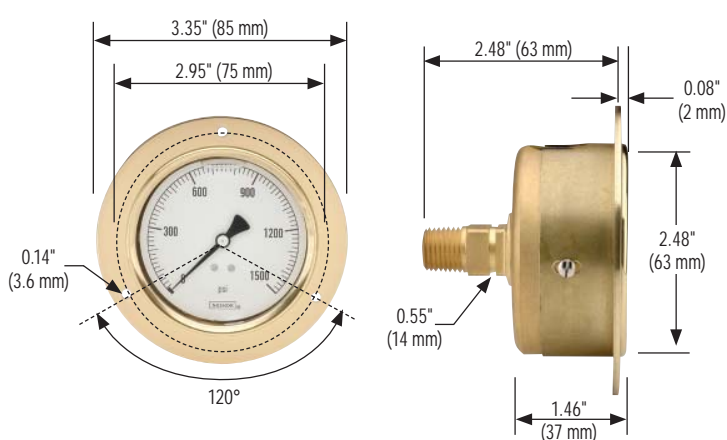
25-300 Front Flange



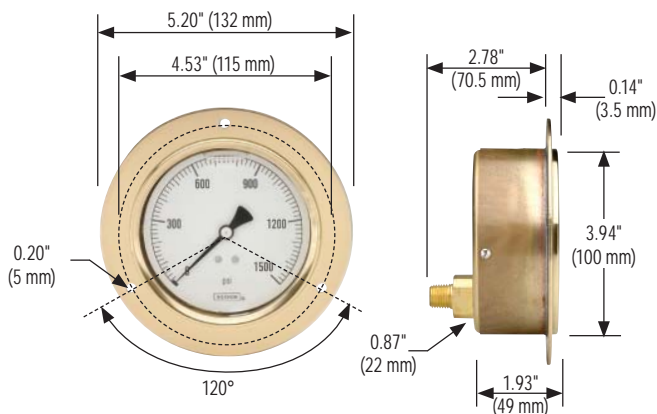
40-300 Front Flange



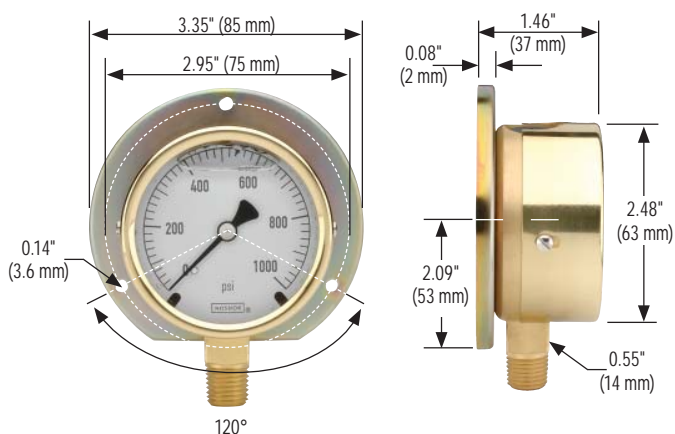
25-310 Front Flange



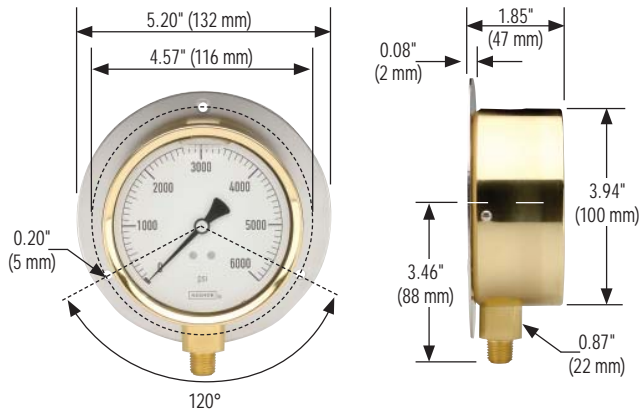
40-310 Front Flange



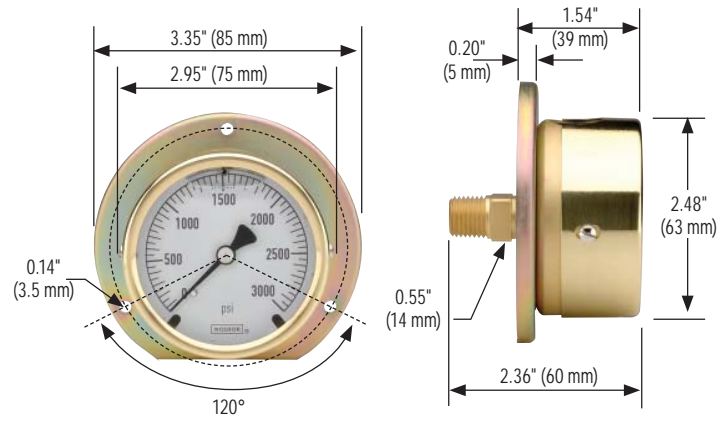
25-300 Rear Flange



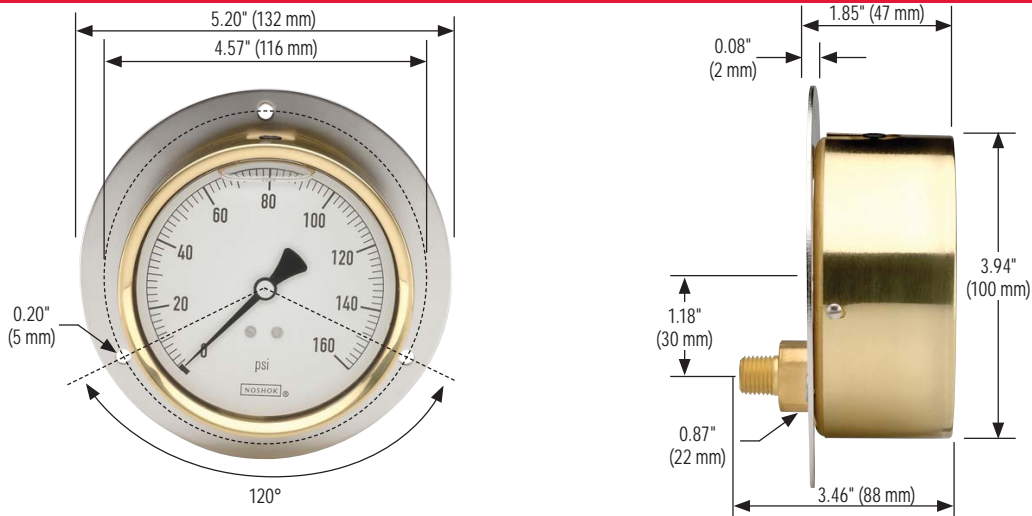
40-300 Rear Flange



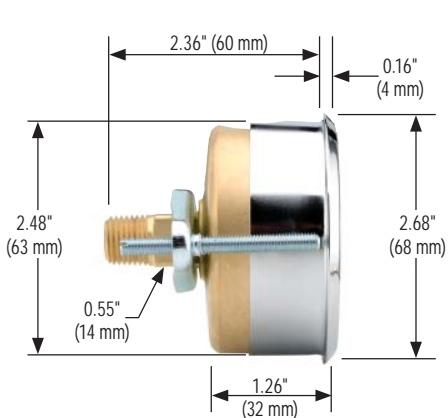
25-310 Rear Flange



40-310 Rear Flange



25-310 Chrome Triangular Bezel with U-Clamp



40-310 Chrome Triangular Bezel with U-Clamp

