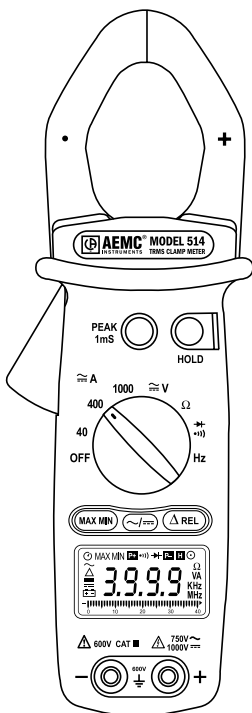


- TRMS CLAMP-ON METER
- MEDIDORES DE TENAZA TRMS

514



ENGLISH
ESPAÑOL

User Manual

Manual de
Instrucciones

AEMC[®]
INSTRUMENTS
CHAUVIN ARNOUX GROUP

Statement of Compliance

Chauvin Arnoux®, Inc. d.b.a. AEMC® Instruments certifies that this instrument has been calibrated using standards and instruments traceable to international standards.

We guarantee that at the time of shipping your instrument has met its published specifications.

An NIST traceable certificate may be requested at the time of purchase, or obtained by returning the instrument to our repair and calibration facility, for a nominal charge.

The recommended calibration interval for this instrument is 12 months and begins on the date of receipt by the customer. For recalibration, please use our calibration services. Refer to our repair and calibration section at www.aemc.com.

Serial #: _____

Catalog #: 2117.70

Model #: 514

Please fill in the appropriate date as indicated:

Date Received: _____

Date Calibration Due: _____




Chauvin Arnoux®, Inc. d.b.a AEMC® Instruments
www.aemc.com

TABLE OF CONTENTS

ENGLISH	1
ESPAÑOL.....	25
INTRODUCTION	3
1.1 International Electrical Symbols.....	3
1.2 Definition of Measurement Categories...	4
1.3 Receiving Your Shipment.....	4
1.4 Ordering Information	4
1.4.1 Accessories and Replacement Parts	4
PRODUCT FEATURES.....	5
2.1 Description	5
2.2 Model 514 Control Features.....	6
2.3 LCD Display	7
SPECIFICATIONS	8
3.1 Electrical Specifications	8
3.2 Mechanical Specifications.....	9
3.3 Environmental Specifications	10
3.4 Safety Specifications.....	10
OPERATION	11
4.1 Button Functions	11
4.1.1 Data Hold	11
4.1.2 Peak Hold Function	11
4.1.3 MAX/MIN Function	12
4.1.4 REL Function.....	12
4.2 AC/DC Current Measurement.....	13
4.3 AC Volt Measurement	14
4.4 DC Volt Measurement.....	15


4.5	Resistance Measurement	16
4.6	Continuity Measurement	17
4.7	Diode Measurement.....	18
4.8	Frequency Measuring Using	
	Voltage Input	19
4.9	Frequency Measurement Using	
	Current Input	20

MAINTENANCE..... 21






5.1	 Warning!.....	21
5.2	Cleaning	21
5.3	Battery Replacement.....	22
	Repair and Calibration.....	23
	Technical and Sales Assistance	23
	Limited Warranty	24
	Warranty Repairs	24

INTRODUCTION

Warning

- Read the user manual before operating and follow all safety information. Only use the meter as specified in this user manual.
- Never use this meter on a circuit with voltages greater than 600Vrms @ 50/60 Hz, Cat. III or 1000V, Cat. II.
- Never measure current while the test leads are connected to the input jacks.
- Do not operate the meter if the body or test leads look damaged.
- Do not perform resistance and continuity test on a live circuit.
- Use extreme caution when measuring live systems with voltages greater than 60VDC or 30VAC.
- Use extreme care when working around bus bars and bare conductors.
- Do not use the meter in overrange/overload conditions (OL).
- For accurate readings, change the battery when the  symbol appears.

1.1 International Electrical Symbols

	Signifies that the instrument is protected by double or reinforced insulation.
	On the instrument, this symbol indicates a WARNING and that the operator must refer to the user manual for instructions before operating the instrument. In this manual, the symbol preceding instructions indicates that if the instructions are not followed, bodily injury, installation/sample and product damage may result.
	Risk of electric shock. The voltage at the parts marked with this symbol may be dangerous.
	Refers to a type A current sensor. This symbol signifies that application around and removal from HAZARDOUS LIVE conductors is permitted.
	In conformity with WEEE 2002/96/EC

1.2 Definition of Measurement Categories

CAT II: For measurements performed on circuits directly connected to the electrical distribution system. Examples are measurements on household appliances or portable tools.

CAT III: For measurements performed in the building installation at the distribution level such as on hardwired equipment in fixed installation and circuit breakers.

CAT IV: For measurements performed at the primary electrical supply (<1000V) such as on primary overcurrent protection devices, ripple control units, or meters.

1.3 Receiving Your Shipment

Upon receiving your shipment, make sure that the contents are consistent with the packing list. Notify your distributor of any missing items. If the equipment appears to be damaged, file a claim immediately with the carrier and notify your distributor at once, giving a detailed description of any damage. Save the damaged packing container to substantiate your claim.

1.4 Ordering Information

Clamp-on Meter Model 514..... Cat. #2117.70

Includes meter, pair of test leads (red/black with probe tips), 9V battery, soft carrying case and a user manual.

1.4.1 Accessories and Replacement Parts

Set of 2, 5 ft color-coded leads..... **Cat. #2140.68**

Replacement Pouch..... **Cat. #2118.94**

Order Accessories and Replacement Parts Online

Check out our Storefront at www.aemc.com/store

PRODUCT FEATURES

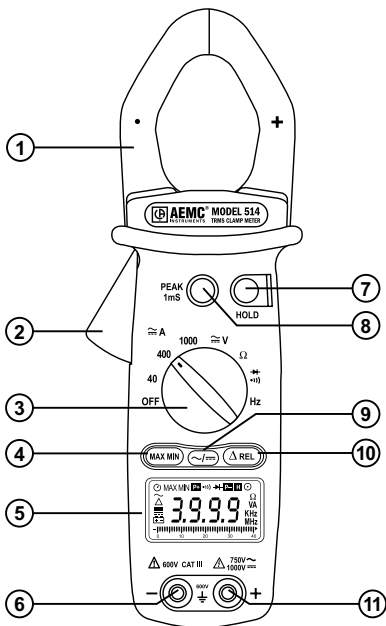
2.1 Description

The AEMC® Model 514 is a general purpose professional clamp-on meter that measures up to the toughest standards. This meter offers a complete set of measurement ranges including AC Amps, AC Volts, DC Volts, Ohms, Continuity with beeper, Frequency from V or A, Diode Test function and also uses Hall Effect sensor technology that provides both DC and AC current measurements to 1000A. The Model 514 is in compliance with international safety and quality standards to ensure professional and reliable measuring tools.

The Models 514 is sized for comfortable, one-handed operation. The tapered and hooked jaw design facilitates maneuvering in crowded wiring and breaker panels, making it easy to select conductors. The jaw opening accommodates one 750kcmil cable or two 350kcmil cables. The large and easy-to-read 4000-count LCD features comprehensive user information symbols, such as low battery, polarity, overload, and an analog bargraph for easy trend readings. It is equipped with a Data Hold function that freezes the measurement for later viewing, Min/Max, and a fast 1ms Peak Hold function for capture of signals.

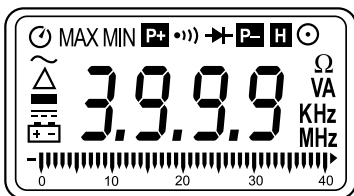
The Model 514 is a True RMS clamp-on that provides RMS measurements for today's non-linear electrical environments.

2.2 Model 514 Control Features



1. Jaw Assembly
2. Lever for Jaw Opening/Closing
3. Rotary Range Selector Switch
4. Maximum/Minimum Button
5. LCD Display
6. COM (black) Input
7. Data Hold Button
8. Peak Hold Button
9. AC/DC Selector Button
10. Relative Button
11. Positive (red) Input

2.3 LCD Display



	Low Battery
	DC Input
	Polarity Indicator
	Zero (Relative)
	AC Input
	Auto Power Off Indication
	Positive Peak Detect Indication
	Continuity Beeper Enabled
	Diode Function Indication
	Negative Peak Detect Indication
	Data Hold
	Manual Range
	Resistance Measurement Indicator
	Voltage/Current Indicator
	Frequency Measurement Indicator
	Analog Bargraph

SPECIFICATIONS

3.1 Electrical Specifications

Reference Conditions: 23°C ±5°C, 45 to 80% RH, True RMS for VAC and AAC accuracy are specified from 5% to 100% of range, crest factor 1.4 < CF < 3 at full scale & CF < 6 at half scale.

AC Amperes (Auto-Ranging)

Range	Resolution	Accuracy	Overload
40A	0.01A	50/60Hz: 1.9% of Reading ± 5cts 60/500Hz: 2.5% of Reading ± 5cts	1200Arms
400A	0.1A		
1000A	1A		

AC Volts (Auto-Ranging)

Range	Resolution	Accuracy (50/500Hz)	Overload
400V	0.1V	1.5% of Reading ± 5cts	1000Vrms
750V	1V		

DC Amperes (Auto-Ranging)

Range	Resolution	Accuracy (50/500Hz)	Overload
40A	0.01A	2.5% of Reading ± 10cts	1200Arms
400A	0.1A		
1000A	1A		

DC Volts (Auto-Ranging)

Range	Resolution	Accuracy (50/500Hz)	Overload
400V	0.1V	1.0% Reading ± 2cts	1000Vrms
1000V	1V		

Resistance - Ohms (Ω)

Range	Resolution	Accuracy (50/500Hz)	Overload
400 Ω	0.1 Ω	1.0% of Reading \pm 2cts	600Vrms
4000 Ω	1 Ω		

Diode (\rightarrow +))

Range	Test Current	Open Circuit Voltage	Overload Protection
\rightarrow +	1.7mA max	6V max	600Vrms

Continuity ($\bullet\bullet$))

Range	Beeper Activation	Overload
$\bullet\bullet$)	< 40 Ω	600Vrms

Frequency (Hz) (Auto Ranging)

Function	Range	Resolution	Accuracy	Sensitivity
A-Hz	4KHz	1Hz	0.1% R \pm 1ct	2Arms
	10KHz	10Hz		5Arms
V-Hz	4KHz	1Hz	0.1% R \pm 1ct	5Vrms
	10KHz	10Hz		10Vrms

3.2 Mechanical Specifications

Digital Display:

4000-count 3 $\frac{3}{4}$ digits LCD display (max reading 3999)


Analog Display:

Fast 40 segment analog bargraph display

Symbol and Scale Range:

Automatic according to range and input signal

Polarity:

 displayed when negative signal applied to input

Over Load:


 displayed when input signal exceeds range

Sample Rate:

2 samples/sec for the digital display

20 samples/sec for the analog bargraph

Power Supply: 9V, NEDA 1604 (6LR61) alkaline battery

Low Battery Indication:  displayed when the battery is below the required voltage

Battery Life: 40 hours approx

Auto-Power Off: The meter will power itself OFF if there is no push button or rotary switch operation for 30 minutes. To deactivate this function, press the "MAX/MIN" button and keep it pressed down, then power up the probe.

Jaw opening size: 1.575" (40mm)

Dimension: 9.53 x 2.60 x 1.42" (242 x 66 x 36mm)

Weight: 14.10 oz (400g) with batteries

3.3 Environmental Specifications

Altitude: 2000 meters

Operating Temperature:

-14° to 122°F (-25 to 50°C), 80% RH, non-condensing

NOTE: If the meter is to be used below 32°F (0°C), we suggest that the battery be replaced to ensure proper results.

Storage Temperature:

-14° to 140°F (-25° to 60°C) < 80% RH, battery removed

3.4 Safety Specifications



EN 61010, 300V, CAT IV, Pollution Degree: 2

EN 61010, 600V, CAT III, Pollution Degree: 2

EN 61010, 1000V, CAT II, Pollution Degree: 2

OPERATION

4.1 Button Functions

4.1.1 Data Hold

- The last reading may be held on the display by pressing the HOLD button. The **H** symbol will be displayed in data hold mode.
- When the held data is no longer needed, release the hold function by pressing the HOLD button again.

4.1.2 Peak Hold Function

- This meter is built with 1ms peak hold function on AAC, VAC, ADC and VDC ranges.
- Calibration is necessary before performing a peak hold operation.
- To start the calibration process, press and hold the PEAK button for 2 seconds. “CAL” will display on the LCD and the offset will be calculated and kept in the meter.
- After calibration, choose either **P+** or **P-** by pressing the Peak Hold button to keep the peak reading.
- Pressing the PEAK button for 2 seconds will return the meter back to normal operation.
- Once the function range is changed, the meter will need another calibration for peak measurement.

4.1.3 MAX/MIN Function

- This meter is built with MAX/MIN function at AAC, VAC, ADC and VDC ranges.
- Pressing the MAX/MIN button once will set the meter to MAX mode.
- Pressing it twice will set the meter to MIN mode.
- Pressing it three times will display the present reading and still keep track of the MAX and MIN change. This mode will also indicate a blinking MAX/MIN symbol.
- Pressing the MAX/MIN button for more than 2 seconds will set the meter back to normal operation.

4.1.4 REL Function

- This meter is built with REL function at AAC, VAC, ADC and VDC ranges.
- Pressing the Δ REL button once will change the zero to the present reading and the relative value will show on the LCD.
- Pressing it twice will display the relative zero point. This mode will also indicate a blinking Δ symbol.
- Pressing the Δ REL button for more than 2 seconds will set the meter back to normal operation.

4.2 AC/DC Current Measurement

NOTE: Remove the test leads before measuring current

- Turn the rotary range switch to one of the \cong A ranges.

AAC

- Press the lever to open the jaws, then clamp the jaws around the conductor to be measured.
- Choose AC current measurement by pressing the AC/DC selector button for AAC reading.

ADC

- Choose DC current measurement by pressing the AC/DC selector button for ADC reading.
- Wait for the reading to stabilize, then press the Δ REL button to null the reading.
- Press the lever to open the jaws, then clamp the jaws around the conductor to be measured.
- If reading is unstable and is hard to read, push the **HOLD** button and read the measurement.



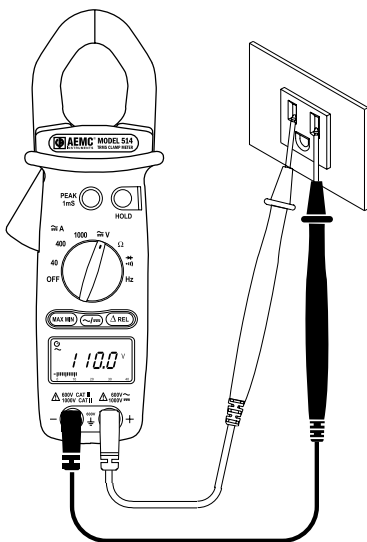
WARNING: If overload "OL" is displayed, unclamp the meter immediately .

4.3 AC Volt Measurement

- Turn the rotary range switch to the $\cong V$ range.
- Insert red test lead to the red “+” input jack and the black lead to the black “COM” input jack.
- Choose AC by pressing the AC/DC button.
- Bring the test probe tips into contact with the test points.
- If reading is unstable and hard to read, push the HOLD button and read the measurement.



WARNING: Immediately unclamp the meter from the conductor under test if overload “OL” is displayed.

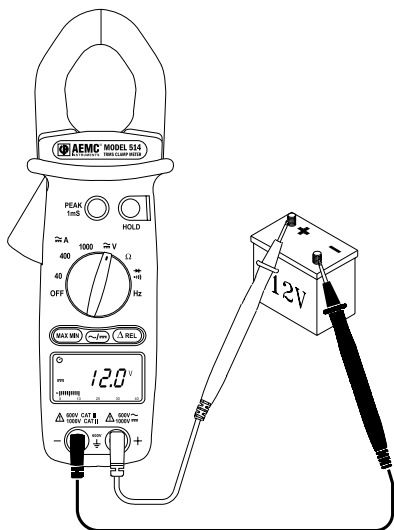


4.4 DC Volt Measurement

- Turn the rotary range switch to the \approx V range.
- Insert red test lead to the red “+” input jack and the black lead to the black “COM” input jack.
- Choose DC by pressing the AC/DC button.
- Bring the test probe tips into contact with the test points.
- If reading is unstable and hard to read, push the HOLD button and read the measurement.



WARNING: Immediately unclamp the meter from the conductor under test if overload “OL” is displayed.



4.6 Continuity Measurement

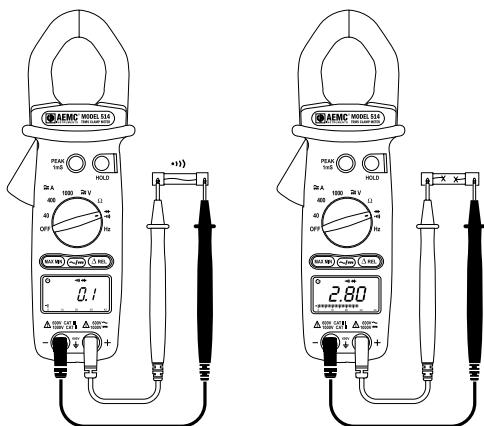


WARNING: When testing continuity, make sure that there is no power in the tested sample or circuit (dead circuit). This may be checked by using the voltage functions.

- Turn the rotary range switch to the $\rightarrow + \bullet \bullet \bullet$ range.
- Insert red test lead to the red "+" input jack and the black lead to the black "COM" input jack.
- Bring the test probe tips into contact with the sample under test.
- If the resistance is less than 40Ω , the beeper emits a continuous sound. The readings on the display are not valid.
- If overload ≥ 3.0 is displayed, the resistance exceeds the measurement range or the circuit is open.



WARNING: Immediately unclamp the meter from the conductor under test if overload "OL" is displayed.

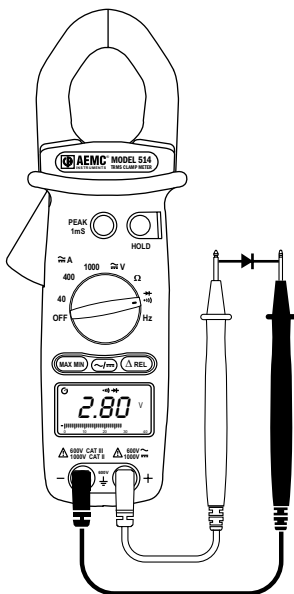


4.7 Diode Measurement



WARNING: Make sure that there is no power in the tested sample or circuit (dead circuit).

- Turn the rotary range switch to the **▶|•••)** range.
- Insert red test lead to the red “+” input jack and the black lead to the black “COM” input jack.
- Bring the test probe tips into contact with the sample under test.
- If the polarity of the test leads are reversed with diode polarity, the digital reading shows ≥ 3.0 . This can be used for distinguishing anode and cathode terminals of a diode.

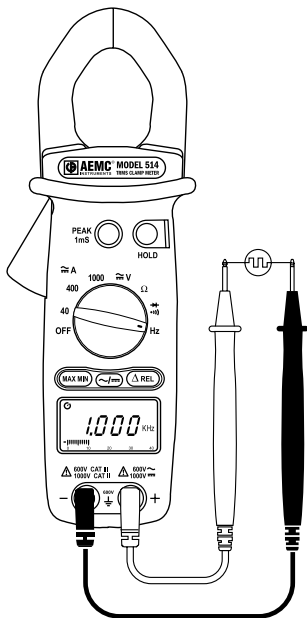


4.8 Frequency Measuring Using Voltage Input

- Turn the rotary range switch to the **Hz** range.
- Insert red test lead to the red "+" input jack and the black lead to the black "**COM**" input jack.
- Bring the test probe tips into contact with the sample under test.



WARNING: Immediately unclamp the meter from the conductor under test if overload "**OL**" is displayed.



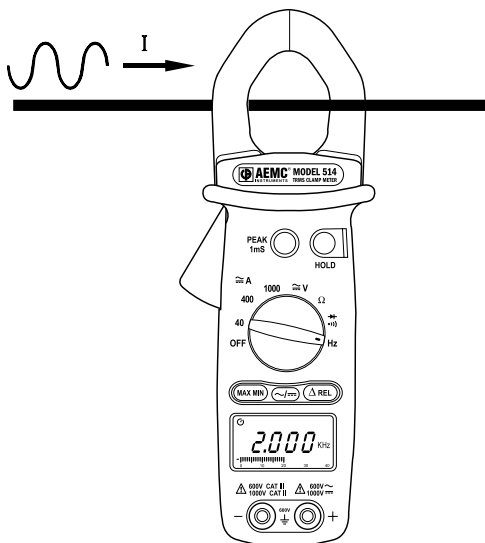
4.9 Frequency Measurement Using Current Input

NOTE: Remove the test leads before measuring current

- Turn the rotary range switch to the **Hz** range.
- Press the lever to open the jaws.
- Clamp the jaws around the conductor to be measured.



WARNING: Do not use both voltage and current inputs at the same time when measuring frequency. This may be dangerous. Erroneous readings will occur if both inputs are used at the same time.



MAINTENANCE


5.1 **Warning!**

- Remove the test leads on any input before opening the case.
- Do not operate the clamp-on probe without a battery case cover.
- To avoid electrical shock, do not attempt to perform any servicing unless you are qualified to do so.
- To avoid electrical shock and/or damage to the instrument, do not get water or other foreign agents into the probe.

5.2 **Cleaning**

- To clean the probe, wipe the case with a damp cloth and mild detergent.
- Do not use abrasives or solvents.
- Do not get water inside the case. This may lead to electrical shock or damage to the instrument.

5.3 Battery Replacement

- The Clamp-on Meter Model 514 is powered by a 9V battery. The  symbol will appear on the LCD display when the supply voltage drops below proper operating range. This indicates that the battery needs to be changed.
- The meter must be in the OFF position and disconnected from any circuit or input.
- Place the meter face down and loosen the battery cover screw with a screwdriver.
- Replace the old battery with a new 9V battery.
- Replace the battery compartment cover and tighten down the screw.

Repair and Calibration

To ensure that your instrument meets factory specifications, we recommend that it be submitted to our factory Service Center at one-year intervals for recalibration, or as required by other standards or internal procedures.

For instrument repair and calibration:

You must contact our Service Center for a Customer Service Authorization Number (CSA#). This will ensure that when your instrument arrives, it will be tracked and processed promptly. Please write the CSA# on the outside of the shipping container. If the instrument is returned for calibration, we need to know if you want a standard calibration, or a calibration traceable to N.I.S.T. (Includes calibration certificate plus recorded calibration data).

Chauvin Arnoux®, Inc. d.b.a. AEMC® Instruments
15 Faraday Drive • Dover, NH 03820 USA
Phone: (800) 945-2362 or (603) 749-6434 (Ext. 360)
Fax: (603) 742-2346 or (603) 749-6309
repair@aemc.com

(Or contact your authorized distributor)

Costs for repair, standard calibration, and calibration traceable to N.I.S.T. are available.

NOTE: A CSA# must be obtained before returning any instrument.

Technical and Sales Assistance

If you are experiencing any technical problems, or require any assistance with the proper operation or application of your instrument, please call, mail, fax or e-mail our technical support hotline:

Chauvin Arnoux®, Inc. d.b.a. AEMC® Instruments
200 Foxborough Blvd • Foxborough, MA 02035, USA
Phone: (800) 343-1391 or (508) 698-2115
Fax: (508) 698-2118
techsupport@aemc.com
www.aemc.com

NOTE: Do not ship Instruments to our Foxborough, MA address.

Limited Warranty

The Model 514 is warranted to the owner for a period of two years from the date of original purchase against defects in manufacture. This limited warranty is given by AEMC® Instruments, not by the distributor from whom it was purchased. This warranty is void if the unit has been tampered with, abused or if the defect is related to service not performed by AEMC® Instruments.

For full warranty coverage detail and registration, go to www.aemc.com

What AEMC® Instruments will do: If a malfunction occurs within the warranty period, you may return the instrument to us for repair or replacement free of charge, provided we have your registration information on file or proof of purchase. AEMC® Instruments will, at its option, repair or replace the faulty material.

REGISTER ONLINE AT: www.aemc.com

Warranty Repairs

What you must do to return an Instrument for Warranty Repair:

First, request a Customer Service Authorization Number (CSA#) by phone or by fax from our Service Department (see address below), then return the instrument along with the signed CSA Form. Please write the CSA# on the outside of the shipping container. Return the instrument, postage or shipment pre-paid to:

Chauvin Arnoux®, Inc. d.b.a. AEMC® Instruments
Service Dept • 15 Faraday Dr • Dover, NH 03820 USA
Phone: (800) 945-2362 or (603) 749-6434 (Ext. 360)
Fax: (603) 742-2346 or (603) 749-6309
repair@aemc.com

Caution: To protect yourself against in-transit loss, we recommend you insure your returned material.

NOTE: All customers must obtain a CSA# before returning any instrument.

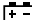
Tabla De Contenidos

ENGLISH	1
ESPAÑOL.....	25
1. INTRODUCCIÓN	27
1.1 Símbolos Eléctricos Internacionales ..	28
1.2 Recepción de su embarque	28
1.3 Información para poner una orden.....	28
1.3.1 Accesorios de Repuesto	28
2. CARACTERÍSTICAS.....	29
2.1 Descripción	29
2.2 Controles del Modelo 514	30
2.3 Características de la Pantalla	31
3. ESPECIFICACIONES.....	32
3.1 Especificaciones Eléctricas.....	32
3.2 Especificaciones Mecánicas	33
3.3 Especificaciones Ambientales.....	34
3.4 Especificaciones de Seguridad.....	34
4. OPERACIÓN.....	35
4.1 Función de Botóns	35
4.1.1 Mantener Lectura	35
4.1.2 Mantener Valor de Pico	35
4.1.3 Función MAX/MIN	36
4.1.4 Función REL.....	36
4.2 Medición de Corriente CA/CD.....	37
4.3 Medición de Volt CA.....	38
4.4 Medición de Volt CD.....	39
4.5 Medición de Resistencia	40

4.6	Prueba de Continuidad	41
4.7	Prueba de Diodo	42
4.8	Medición de Frecuencia - voltaje	43
4.9	Medición de Frecuencia - corriente....	44
5.	MANTENIMIENTO	45
5.1	Advertencia!	45
5.2	Limpieza.....	45
5.3	Reemplazo de la Batería.....	46
	Reparación y Calibración	47
	Asistencia Técnica y de Ventas.....	47
	Garantía Limitada	48
	Reparaciones bajo Garantía.....	48

INTRODUCCIÓN



- Lea el manual de usuario antes de operar el instrumento y siga todas las instrucciones de seguridad.
- Use el medidor sólo como se especifica en este manual de usuario. De otra forma se puede dañar la protección del instrumento.
- Nunca utilice este medidor en un circuito con voltajes superiores a 600Vrms @ 50/60Hz, Cat. III o 1000V, Cat. II.
- Nunca mida corriente mientras los cables de prueba estén conectados a las entradas.
- No opere el medidor si la carcasa o los cables de prueba están dañados.
- Revise el selector de rango rotatorio y asegúrese que está en la posición correcta antes de cada medición.
- No realice pruebas de resistencia ni de continuidad en un circuito vivo.
- Sea extremadamente cuidadoso cuando mida en circuitos vivos con voltajes superiores a 60VCD o 30VCA.
- Tenga mucho cuidado al trabajar cerca de barras bus y conductores desnudos.
- No utilice el medidor fuera de rango o en condiciones de sobrecarga (OL).
- Para evitar lecturas erróneas, cambie la batería cuando aparece el símbolo .

1.1 Definición de las Categorías de Medición

CAT II: Para las mediciones realizadas en los circuitos conectado directamente al sistema de distribución eléctrica. Ejemplos de ello son las mediciones de los aparatos domésticos o instrumentos portátiles.

CAT III: Para las mediciones realizadas en la construcción de la instalación a nivel de distribución, tales como la configuración en un equipo de instalación fija y disyuntores

CAT IV: Para las mediciones realizadas en el principal suministro eléctrico (<1000), como en los dispositivos de protección de sobre corriente primaria, unidades de control de ondulación, o medidores.

1.2 Recepción de su embarque

Luego de recibido su embarque, asegúrese que el contenido coincide con la guía de despacho. Avise a su distribuidor sobre cualquier parte faltante. Si el equipo aparece dañado, presente un reclamo inmediatamente al transportador y avise inmediatamente a su distribuidor, dando una descripción detallada de los daños. Conserve el empaque dañado para respaldar su reclamo. No utilice un instrumento que aparezca dañado.

1.3 Información para poner una orden

Medidor de Tenaza Modelo 514.....Cat. #2117.70

Incluye un par de cables de prueba (rojo/negro con puntas de prueba), batería de 9V, estuche blando para el transporte y manual de usuario.

1.3.1 Accesorios de Repuesto

Cables 5 ft **Cat. #2140.68**

Estuche de Repuesto **Cat. #2118.94**

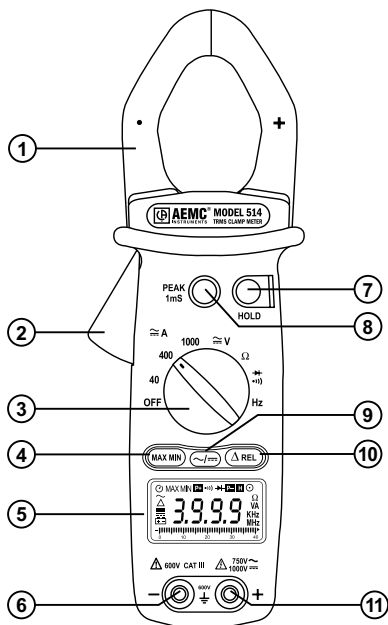
CARACTERÍSTICAS DEL PRODUCTO

2.1 Descripción

El Medidor de Tenaza Modelo 514 de AEMC® Instruments es un instrumento profesional de uso general. Un diseño de caja robusto, materiales de poli carbonato de calidad, rangos completos y acatamiento de estándares de seguridad y de calidad internacionales garantizan una herramienta de medición profesional y confiable. Ambos modelos son de auto rango y disponen de las funciones Amperes CD y Amperes CA, Volts CD y Volts CA, Ohms, continuidad con biper, Frecuencia (desde V y A) y prueba de diodos.

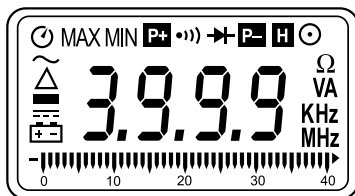
El Modelo 514 es una tenaza RMS Verdadera para mediciones RMS en los ambientes eléctricos no-lineales de hoy.

2.2 Controles del Modelo 514



1. Tenaza
2. Palanca para abrir/cerrar la tenaza
3. Selector de rango rotatorio
4. Botón Máximo/Mínimo
5. Pantalla LCD
6. Entrada COM (negro)
7. Botón mantener lectura
8. Botón mantener lectura de pico
9. Botón selector CA/CD
10. Botón Valor Relativo
11. Entrada Positiva (roja)

2.3 Características de la Pantalla



	Batería Baja
	Entrada CD
	Indicador de Polaridad
	Indicador de Valor Relativo
	Entrada CA
	Indicador de Apagado Automático
	Indicador de Detección de Pico Positivo
	Bíper de Continuidad Habilitado
	Indicador de Función Diodo
	Indicador de Detección de Pico Negativo
	Mantener Lectura
	Indicador de Rango Manual
	Indicador de Medición de Resistencia
	Indicador de Medición de Voltaje y Corriente
	Medición de Frecuencia
	Gráfico de Barras analógico

ESPECIFICACIONES

3.1 Especificaciones Eléctricas

La exactitud está dada bajo las siguientes condiciones de referencia: 23°C ±5°C, 45 a 80% HR, para la exactitud de VCA y ACA se especifica un RMS verdadero desde 5% a 100% del rango, un factor de cresta 1.4 <FC <3 a escala completa & FC <6 a media escala.

Amperes CA (Auto Rango)

Rango	Resolución	Exactitud		Sobrecarga
40A	0.01A	50/60Hz: 1.9% de Lect. ± 5cts	60/500Hz: 2.5% de Lect. ± 5cts	1200Arms
400A	0.1A			
1000A	1A			

Volts CA (Auto Rango)

Rango	Resolución	Exactitud (50/500Hz)	Sobrecarga
400V	0.1V	1.5% de Lect. ± 5cts	1000Vrms
750V	1V		

Amperes CD (Auto Rango)

Rango	Resolución	Exactitud (50/500Hz)	Sobrecarga
40A	0.01A	2.5% de Lect. ± 10cts	1200Arms
400A	0.1A		
1000A	1A		

Volts CD (Auto Rango)

Rango	Resolución	Exactitud (50/500Hz)	Sobrecarga
400V	0.1V	1% de Lect. ± 2cts	1000Vrms
1000V	1V		

Resistencia - Ohms (Ω)

Rango	Resolución	Exactitud	Sobrecarga
400 Ω	0.1 Ω	1% de Lect. \pm 2cts	600Vrms

Diodo (\rightarrow)

Rango	Corriente de Prueba	Voltaje de Circuito Abierto	Sobrecarga
\rightarrow	1.7mA máx.	6V máx.	600Vrms

Continuidad (\bullet)

Rango	Activación del Biper	Sobrecarga
\bullet)	< 40 Ω	600Vrms

Frecuencia (Hz) (Auto Rango)

Función	Range	Resolución	Exactitud	Sensibilidad
A-Hz	4KHz	1Hz	0.1% L \pm 1ct	2Arms
	10KHz	10Hz		5Arms
V-Hz	4KHz	1Hz	0.1% L \pm 1ct	5Vrms
	10KHz	10Hz		10Vrms

3.2 Especificaciones Mecánicas


Pantalla Digital:


Pantalla LCD con dígitos de 3 3/4 (máx. lectura 3999)

Pantalla Analógica: Presentación rápida en gráfico de barras de 40 segmentos

Símbolos y rangos de Escala:

Automáticos según rango y señal de entrada

Polaridad: Al aplicar una señal negativa a la entrada se muestra 

Sobrecarga: Cuando la señal de entrada excede el rango se muestra 


Velocidad de Muestreo:

2 muestras/seg. para la pantalla digital

20 muestras/seg. para el gráfico de barras analógico

Alimentación: 9V, NEDA 1604 o 6F22 o 006P

Indicador de Batería Baja:

Cuando el voltaje de la batería está por debajo de lo requerido se muestra 

Vida de la Batería: 40 hrs. aprox

Auto Apagado: El medidor se apaga por si solo, si no se acciona ningún botón o el selector rotatorio durante 30 minutos. Para desactivar esta función, presione el botón "MAX MIN" y manténgalo presionado mientras enciende el instrumento.

Abertura de la Tenaza: 1.575" (40mm)

Dimensión (Largo x Ancho x Alto):

9.53 x 2.60 x 1.42" (242 x 66 x 36mm)

Peso: 14.10 oz (400g) con baterías

3.3 Especificaciones Ambientales

Altura: 2000 metros

Temperatura de Operación:

-14° a 122°F (-25° a 50°C) < 80% HR, no-condensante

NOTE: Para mediciones debajo de 32°F (0°C), sugerimos cambiar la batería para asegurar un funcionamiento óptimo.

Temperatura de almacenamiento:

-14° a 140°F (-25° a 60°C) < 80% HR, sin batería

3.4 Especificaciones de Seguridad



EN 61010, 300V, CAT IV, Contaminación Grado: 2

EN 61010, 600V, CAT III, Contaminación Grado: 2

EN 61010, 1000V, CAT II, Contaminación Grado: 2

OPERACIÓN

4.1 Función de Botóns

4.1.1 Mantener Lectura

- La última lectura puede mantenerse en la pantalla presionando el botón Hold. Se mostrará el símbolo **H** en el modo mantener lectura.
- Cuando no necesite más el dato, libere la función mantener lectura presionando el botón Hold nuevamente.

4.1.2 Mantener Valor de Pico

- Función mantener valor de pico de 1ms en los rangos ACA, VCA, ACD y VCD.
- Antes de efectuar la operación mantener valor de pico es necesaria una calibración.
- Para iniciar el proceso de calibración, presione y mantenga presionado el botón de pico por 2 segundos. Se mostrará "CAL" en la pantalla LCD y se calculará y almacenará en el medidor el corrimiento.
- Después de la calibración, seleccione **P+** o **P-** presionando el botón mantener valor de pico para guardar la lectura de pico.
- Presionando el botón pico durante 2 segundos el medidor volverá a la operación normal.
- Una vez que se cambia el rango de función, el medidor requiere una nueva calibración para otra medición de valor de pico.

4.1.3 Función MAX/MIN

- Función MAX/MIN para los rangos ACA, VCA, ACD y VCD.
- Presionando el botón MAX/MIN una vez se deja al medidor en el modo MAX.
- Presionando el botón MAX/MIN dos veces se deja al medidor en el modo MIN.
- Presionando el botón MAX/MIN tres veces se muestra la lectura del momento manteniendo aún un seguimiento de los cambios de MAX y MIN. Este modo presenta además el símbolo MAX/MIN destellando.
- Presionando el botón MAX/MIN por más de 2 segundos se vuelve el medidor a la operación normal.

4.1.4 Función REL

- Función REL para los rangos rangos ACA, VCA, ACD y VCD.
- Presionando el botón REL una vez se desplaza el cero hasta la lectura del momento y se mostrará en la pantalla LCD el valor relativo.
- Presionando el botón REL dos veces se mostrará el punto cero relativo. Este modo también presenta el símbolo REL destellando.
- Presionando el botón REL por más de 2 segundos se vuelve el medidor a la operación normal.

4.2 Medición de Corriente CA/CD

NOTA: Retire los cables de prueba antes de medir corriente.

ACA

- Presione la palanca para abrir la tenaza, luego coloque la tenaza alrededor del conductor a medir.
- Seleccione medición de corriente CA presionando el botón AC/DC para medir ACA.

ACD

- Seleccione medición de corriente CD presionando el botón AC/DC para medir ACD.
- Espere que se estabilice la lectura, luego presione el botón REL para llevar la lectura a cero.
- Presione la palanca para abrir la tenaza, luego coloque la tenaza alrededor del conductor a medir.
- Si la lectura es inestable y difícil de leer, presione el botón HOLD y tome la lectura.



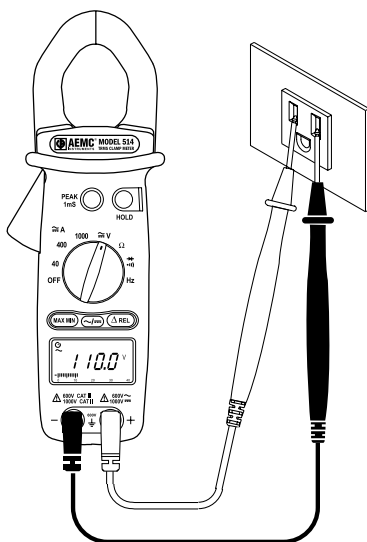
Advertencia: Retire inmediatamente las puntas de prueba desde el circuito que se mide si aparece "OL".

4.3 Medición de Volt CA

- Gire el selector de rango rotatorio a la posición $\cong V$.
- Inserte el cable de prueba rojo en la entrada “+”roja y el cable de prueba negro en la entrada “COM” negra.
- Seleccione CA presionando el botón AC/DC.
- Haga contacto con las puntas de prueba en los puntos de medición.
- Si la lectura es inestable y difícil de leer, presione el botón HOLD y tome la lectura.



Advertencia: Retire inmediatamente las puntas de prueba desde el circuito que se mide si aparece "OL".

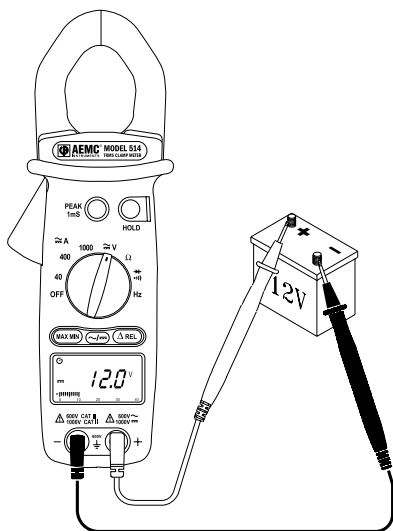


4.4 Medición de Volt CD

- Gire el selector de rango rotatorio a la posición $\approx V$.
- Inserte el cable de prueba rojo en la entrada “+” roja y el cable de prueba negro en la entrada “COM” negra.
- Seleccione CD presionando el botón AC/DC.
- Haga contacto con las puntas de prueba en los puntos de medición.
- Si la lectura es inestable y difícil de leer, presione el botón HOLD y tome la lectura.



Advertencia: Retire inmediatamente las puntas de prueba desde el circuito que se mide si aparece "OL".



4.5 Medición de Resistencia

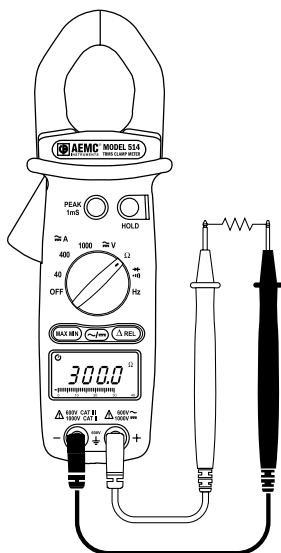
- Gire el selector de rango rotatorio a la posición $\rightarrow + \Omega$.
- Inserte el cable de prueba rojo en la entrada "+" roja y el cable de prueba negro en la entrada "COM" negra.
- Haga contacto con las puntas de prueba en la muestra a medir.



Advertencia: Retire inmediatamente las puntas de prueba desde el circuito que se mide si aparece "OL".



Advertencia: Al hacer una medición de resistencia, asegúrese que no hay energía (circuito muerto). También es importante que todos los condensadores del circuito que se mide estén totalmente descargados.



4.6 Prueba de Continuidad

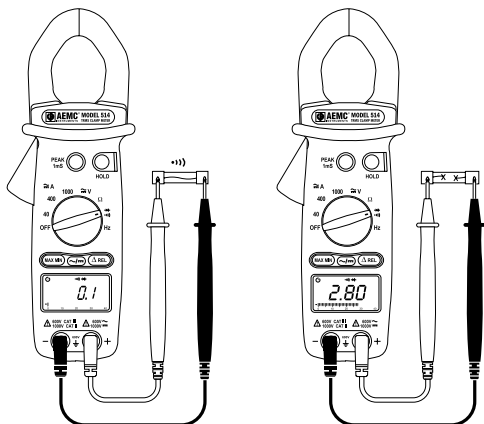


Advertencia: Al probar continuidad, asegúrese que no hay energía en la muestra o en el circuito bajo prueba (circuito muerto). Esto puede comprobarse usando las funciones de voltaje.

- Gire el selector de rango rotatorio a la posición $\rightarrow \bullet \bullet \bullet$).
- Inserte el cable de prueba rojo en la entrada “+” roja y el cable de prueba negro en la entrada “COM” negra.
- Haga contacto con las puntas de prueba en la muestra a medir.
- Si la resistencia es menor que 40Ω , el bípier emite un sonido continuo.
- Si aparece ≥ 3.0 , la resistencia excede el rango de medición o el circuito está abierto.



Advertencia: Retire inmediatamente las puntas de prueba desde el circuito que se mide si aparece "OL".

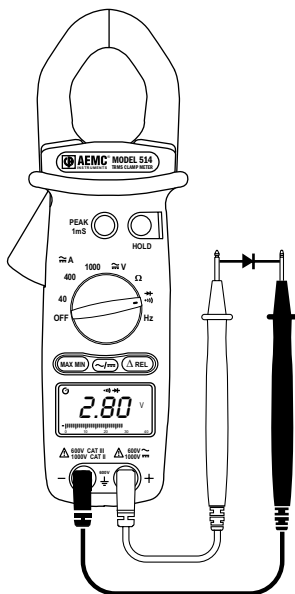


4.7 Prueba de Diodo



Advertencia: Asegúrese que no hay energía en la muestra o en el circuito bajo prueba (circuito muerto).

- Gire el selector de rango rotatorio a la posición $\rightarrow \text{+} \cdot \text{||}$
- Inserte el cable de prueba rojo en la entrada “+” roja y el cable de prueba negro en la entrada “COM” negra.
- Haga contacto con las puntas de prueba en la muestra a medir.
- Si se invierte la polaridad de los cables de prueba respecto a la polaridad del diodo, la lectura digital mostrará ≥ 3.0 . Esto puede usarse para distinguir ánodo de cátodo en los terminales del diodo.

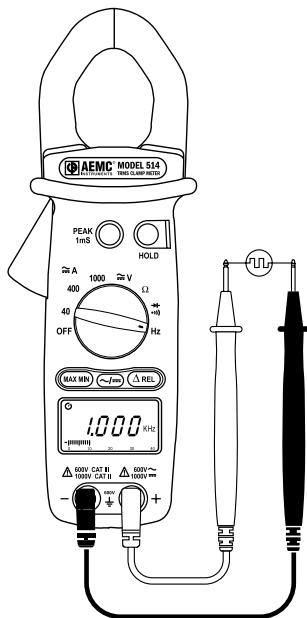


4.8 Medición de Frecuencia usando la entrada de voltaje

- Gire el selector de rango rotatorio a la posición Hz.
- Inserte el cable de prueba rojo en la entrada “+” roja y el cable de prueba negro en la entrada “COM” negra.
- Haga contacto con las puntas de prueba en el circuito a medir.
- Si la lectura es inestable y difícil de leer, presione el botón HOLD y tome la lectura.



Advertencia: Retire inmediatamente las puntas de prueba desde el circuito que se mide si aparece "OL".



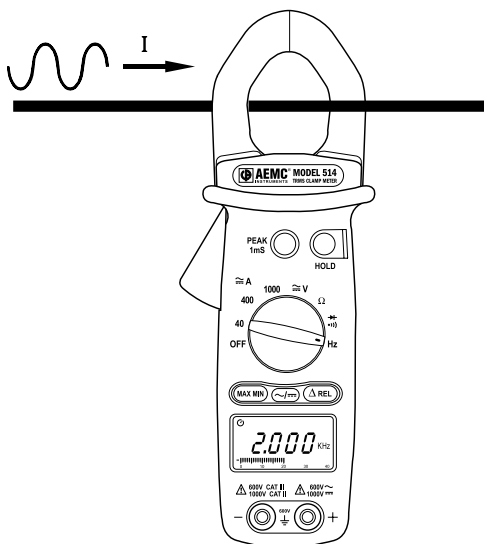
4.9 Medición de Frecuencia usando la entrada de corriente

NOTA: Desconecte los cables de prueba antes de medir frecuencia a través del modo corriente (tenaza).

- Gire el selector de rango rotatorio a la posición **Hz**.
- Presione la palanca para abrir la tenaza.
- Coloque la tenaza alrededor del conductor a medir.
- Si la lectura es inestable y difícil de leer, presione el botón HOLD y tome la lectura.



Advertencia: Al medir frecuencia no utilice las entradas de voltaje y de corriente simultáneamente. Esto puede ser peligroso. Si se usan ambas entradas al mismo tiempo se producirán lecturas erróneas.



MANTENIMIENTO


5.1 Advertencia!

- Retire los cables de prueba de las entradas antes de abrir la caja. No opere el medidor de tenaza sin la cubierta del compartimiento de la batería.
- Para evitar un choque eléctrico, no intente realizar ninguna reparación si no está calificado para hacerla.
- Para evitar un choque eléctrico y/o daño al instrumento no permita que entre agua u otro agente extraño al interior del medidor.

5.2 Limpieza

- Para limpiar el medidor, frote la caja con un paño húmedo y un detergente suave. No use abrasivos ni solventes.
- No permita que entre agua dentro de la caja. Esto puede conducir a un choque eléctrico o dañar el instrumento.

5.3 Reemplazo de la Batería

- El Modelo 514 es alimentado por una batería de 9V. Cuando el voltaje de alimentación cae por debajo del rango de operación apropiado aparece en la pantalla LCD el símbolo .
- El medidor debe estar en la posición OFF y desconectado de cualquier circuito o entrada.
- Coloque el medidor cara abajo y suelte el tornillo de la cubierta de la batería con un destornillador.
- Reemplace la batería vieja por una nueva de 9V.
- Reponga la tapa del compartimiento de batería y apriete el tornillo.

Reparación y Calibración

Para asegurar que su instrumento cumple con las especificaciones de fábrica, recomendamos que sea enviado al Centro de Servicio de la fábrica para re-calibración, anualmente o según lo requieran otros estándares o procedimientos internos.

Para la reparación y calibración del instrumento:

Usted debe contactar nuestro Centro de Servicio para obtener un Número de Autorización de Servicio al Cliente (CSA#). Esto le asegurará que cuando llegue su instrumento, será ingresado y procesado con prontitud. Por favor escriba el CSA# en el exterior del envase. Si el instrumento se envía para calibración, necesitamos saber si desea una calibración estándar o una calibración según N.I.S.T. (incluye certificado de calibración más registro de los datos de calibración).

Chauvin Arnoux®, Inc. d.b.a. AEMC® Instruments
15 Faraday Drive • Dover, NH 03820 USA
Tel: (800) 945-2362 or (603) 749-6434 (Ext. 360)
Fax: (603) 742-2346 or (603) 749-6309
repair@aemc.com

(O contacte su distribuidor autorizado)

Los Costos de reparación, calibración estándar y calibración según N.I.S.T. están disponibles.

NOTA: Todos los clientes deben obtener un CSA# antes de enviar un instrumento.

Asistencia Técnica y de Ventas

Si tiene cualquier problema técnico o necesita ayuda para operar correctamente su instrumento o en sus aplicaciones, por favor llame, escriba, envíe un fax o correo electrónico a nuestro soporte técnico:

Chauvin Arnoux®, Inc. d.b.a. AEMC® Instruments
200 Foxborough Blvd • Foxborough, MA 02035, USA
Phone: (800) 343-1391 or (508) 698-2115
Fax: (508) 698-2118
techsupport@aemc.com
www.aemc.com

NOTA: No envíe Instrumentos a nuestra dirección en Foxborough, MA.

Garantía Limitada

El Modelo 514 es garantizado al propietario por defectos de fabricación, por un período de dos años desde la fecha original de compra. Esta garantía limitada es dada por AEMC® Instruments, no por el distribuidor a quien se compró el instrumento. Esta garantía queda viciada si la unidad ha sido intervenida, abusada o si la falla se relaciona con un servicio no realizado por AEMC® Instruments.

Para detalles completos sobre la cobertura de la garantía y registro, visite www.aemc.com

Lo que AEMC® Instruments hará: Si ocurre una falla de funcionamiento dentro de un año, usted puede devolvernos el instrumento para su reparación o reemplazo sin cargo, siempre y cuando tengamos su información de registro de garantía o un comprobante de compra. AEMC® Instruments reparará o reemplazará el material defectuosos, a su discreción.

Registro En línea en: www.aemc.com

Reparaciones bajo Garantía

Lo que Usted debe hacer para enviar un Instrumento para Reparación bajo Garantía:

Primero, solicite un Número de Autorización de Servicio al Cliente (CSA#) por teléfono o por fax a nuestro Departamento de Servicio (vea la dirección abajo), luego envíe el instrumento junto con el formulario CSA firmado. Por favor escriba el CSA# en el exterior del envase. Envíe el instrumento con el franqueo o flete prepago a:

Chauvin Arnoux®, Inc. d.b.a. AEMC® Instruments
Service Department • 15 Faraday Dr • Dover, NH 03820 USA
Tel: (800) 945-2362 or (603) 749-6434 (Ext. 360)
Fax: (603) 742-2346 or (603) 749-6309
repair@aemc.com

Precaución: Para protegerse contra pérdidas en tránsito, le recomendamos asegurar su mercadería.

NOTA: Todos los clientes deben obtener un CSA# antes de enviar un instrumento.



10/20

99-MAN 100224 v17

Chauvin Arnoux[®], Inc. d.b.a. AEMC[®] Instruments
15 Faraday Drive • Dover, NH 03820 USA
www.aemc.com