



# Model 2035 / 2036

## Analog Panel Meters



**3-1/2" 2035** DC Moving Coil

**3-1/2" 2036** AC Repulsion

### Features

- These attractively styled 2000 Series meters are produced in five sizes from 1-1/2" to 6".
- All models have long, flat arc scales and knife edge pointers for excellent readability.
- Most 1-1/2" to 6" meters are supplied with the self shielded Accuring movements.
- The standard AC repulsion movement is also available in 2-1/2" to 6" meter cases.
- Features for the 2000 Series include matching AC and DC models, bezel or surface mounting, and choice of standard colors on the lower front cover at additional cost.
- Special Dials are available with the following options: additional Colors, Scales, Special Legends, Logo and Mirrors.

**DC Ranges:** Microammeter, Milliammeter, Ammeter, Millivoltmeter, Voltmeter.

**AC Ranges:** Milliammeter, Ammeter, Voltmeter, Frequency Meter, Motor Load Meter.

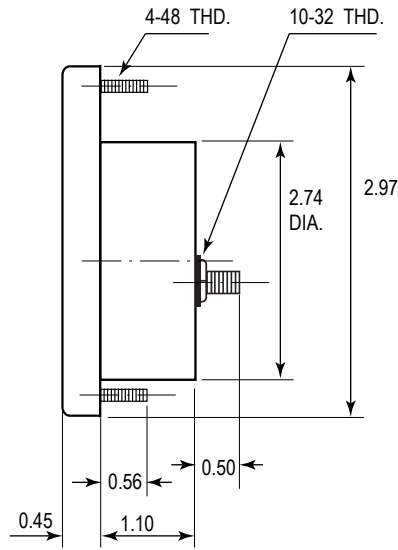
### Specifications

Overload:	Voltmeters (AC and DC): 50% momentary 20% sustained. Ammeters (AC and DC) momentary: 10 times the rated current for 10 consecutive intervals of .5 seconds with a 1 minute interval between successive applications; 20% for six hours.
Accuracy:	±2% full scale value.
Resistance:	±15%.
Dials:	100 or 90 degree arc, black lettering on white background. Special dial colors and artwork are available as an option.
Pointer:	Knife Edge
Movement:	Pivot and Jewel, AC Iron Vane or Taut Band.
Mounting:	Specify (S) Surface mount or (B) Bezel mount.
Case:	Clear Acrylic cases.
Operating Temp.:	32°F to 104°F ( 0°C to 40°C).
Storage Temp.:	-4°F to 131°F (-20°C to 55°C).
Meter Approvals:	ANSI C39.1, RoHS, REACH.
Origin:	Made in USA.

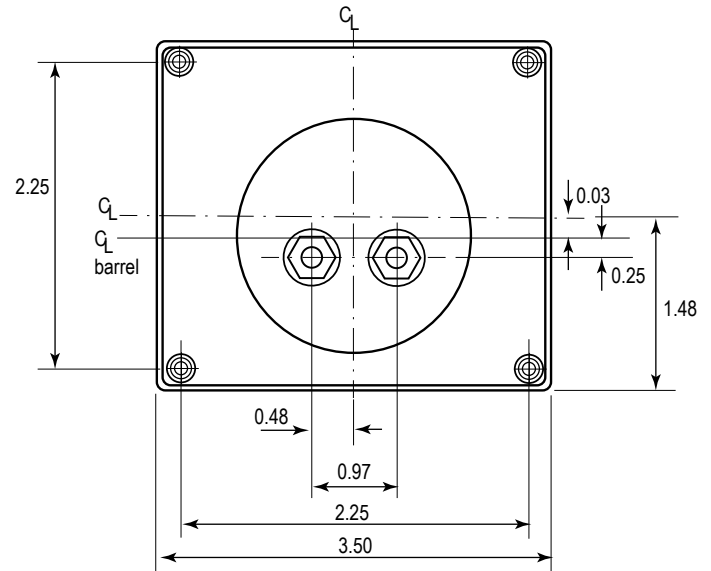


## Analog Panel Meters

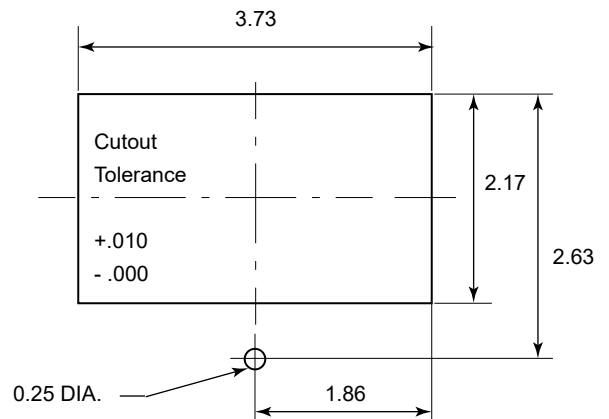
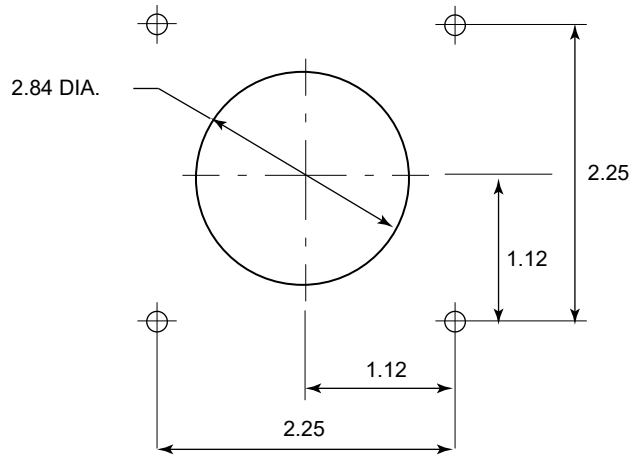
### Dimensions



Panel Cutout for Barrel



Bezel Panel Cutout



### Bezel Mount

Bezels for mounting rectangular custom series models 2018, 2025/26, 2035/36 and 2045/46 behind the panel are sturdy high impact ABS.

#### Bezel Part Numbers

- M107081-KIT (overall size 2" x 1-3/16") for 2018/R
- M207036-KIT (overall size 3-1/8" x 1-23/32") for 2025/26
- M207048-KIT (overall size 3-7/8" x 2-9/32") for 2035/36
- M207030-KIT (overall size 4-31/32" x 2-29/32") for 2045/46

