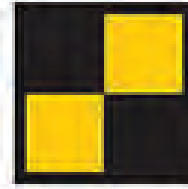
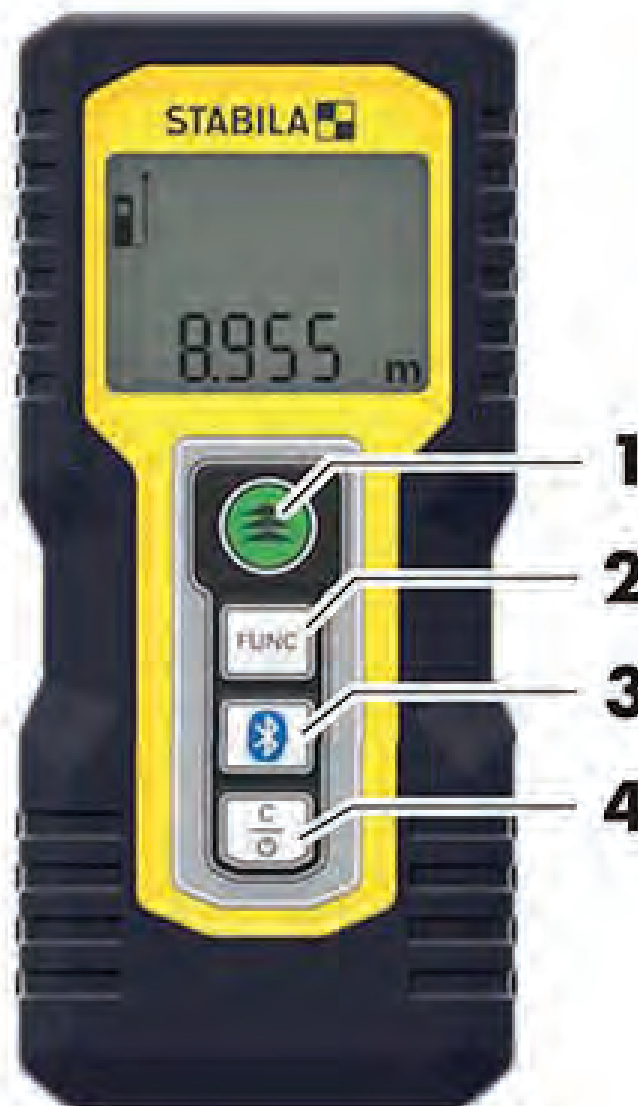
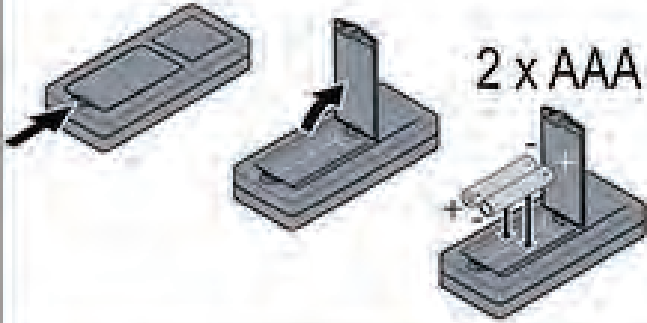


# STABILA®

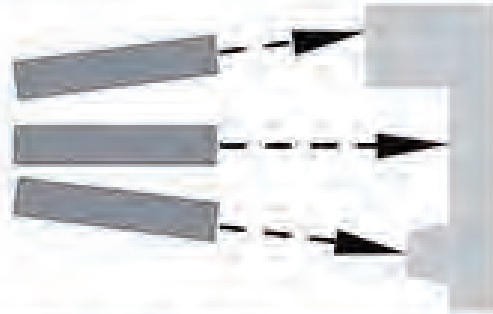


## LD 250 BT





2 sec



FUNC

2 sec = **UNIT**

FUNC

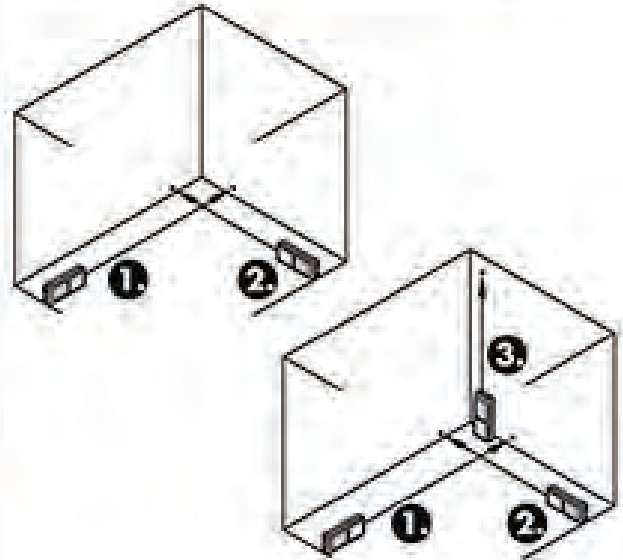


0.000 m, 0'00"1/16, 0 in 1/16

FUNC



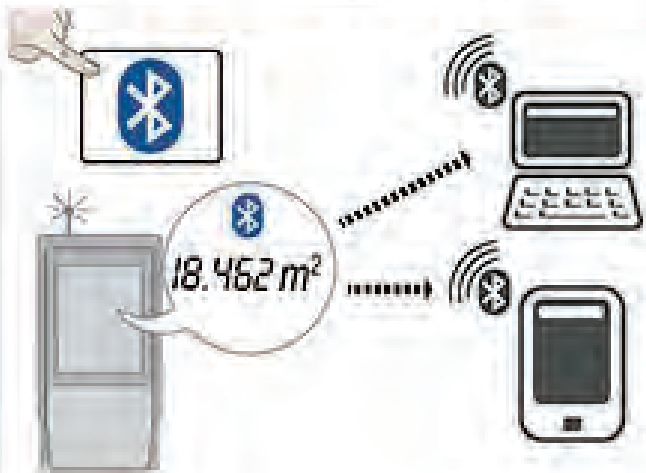
2 sec = **BEEP ON/OFF**



2 sec = **OFF**



2 sec = **BLUETOOTH® ON/OFF**



## Product overview

- |                         |                |
|-------------------------|----------------|
| 1) On/Measure           | 3) Bluetooth®  |
| 2) Area / Volume / Unit | 4) Clear / Off |

## Instrument Set-up

### Introduction



The safety instructions and the user manual should be read through carefully before the product is used for the first time.



The person responsible for the product must ensure that all users understand these directions and adhere to them.

## Technical data

Accuracy with favourable conditions *	$\pm 2.0 \text{ mm} / \pm 0.08 \text{ in}^{***}$
Accuracy with unfavourable conditions **	$\pm 3.0 \text{ mm} / \pm 0.12 \text{ in}^{***}$
Range with favourable conditions *	0.2-50 m / 0.6-164 ft
Range with unfavourable conditions **	0.2-40 m / 0.6-131 ft
Smallest unit displayed	1 mm / 0.04 in
Laser class	2
Laser type	635 nm, < 1 mW
Ø laser point	6 / 30 mm

Protection class	IP54
Autom. laser switch off	after 90 s
Autom. power switch-off	after 180 s
Battery durability (2 x AAA)	up to 5000 measurements
Dimension (H x D x W)	115 x 53 x 25 mm 4.5 x 2.1 x 1 in
Weight (with batteries)	95 g / 3.4 oz
Temperature range:	
- Storage	-25 to 70 °C -13 to 158 °F
- Operation	0 to 40 °C 32 to 104 °F

\* favourable conditions are: white and diffuse reflecting target (white painted wall), low background illumination and moderate temperatures.

\*\* unfavourable conditions are: targets with lower or higher reflectivity or high background illumination or temperatures at the upper or lower end of the specified temperature range.

\*\*\* Tolerances apply from 0.2 m to 5 m with a confidence level of 95%.

With favourable conditions the tolerance may deteriorate by 0.1 mm/m for distances above 5 m.

With unfavourable conditions the tolerance may deteriorate by 0.15 mm/m for distances above 5 m.

# Message Codes

If the message **Error** does not disappear after switching on the device repeatedly, contact the dealer.

If the message **InFo** appears with a number, press the Clear button and observe the following instructions:

No.	Cause	Correction
204	Calculation error	Perform measurement again.
240	Data transfer error	Repeat procedure.
252	Temperature too high	Let device cool down.
253	Temperature too low	Warm device up.
254	Battery voltage too low for measurements	Change batteries.
255	Received signal too weak, measuring time too long	Change target surface (e.g. white paper).
256	Received signal too high	Change target surface (e.g. white paper).
257	Too much background light	Shadow target area.
258	Measurement outside of measuring range	Correct range.
260	Laser beam interrupted	Repeat measurement.

## Laser classification

Wavelength	635 nm
Maximum radiant output power used for classification	0.95 mW
Pulse repetition frequency	200 MHz

Pulse duration	>400ps
Beam divergence	0.16 mrad x 0.6 mrad

## Warranty

Stabila provides a two-year warranty for the product.

Further information can be found on the Internet at:

## Areas of responsibility

### Responsibilities of the manufacturer of the original equipment:

Stabila

STABLA Maschinenbau

Günzler Ulfert GmbH

P.O. Box 1340 / D-70851 Amdorf

Landsberg Str. 43 / D-70855 Amdorf

The company above is responsible for supplying the product, including the User Manual in a completely safe condition.

The company above is not responsible for third party accessories.

### Responsibilities of the person in charge of the instrument:

The company above is responsible for supplying the product, including the User Manual in a completely safe condition.

The company above is not responsible for third party accessories.

### Responsibilities of the person in charge of the instrument:

- To understand the safety instructions on the product and the instructions in the User Manual.

• To be familiar with local safety regulations relating to each

dent prevention.

- Always prevent access to the product by unauthorised personnel.

## **Use of the product with Bluetooth®**

### **⚠ WARNING**

Electromagnetic radiation can cause disturbances in other equipment, in installations (e.g. medical ones such as pacemakers or hearing aids) and in aircraft. It can also affect humans and animals.

### **Precautions:**

Although this product conforms to the most stringent standards and regulations, the possibility of harm to people and animals cannot totally excluded.

- Do not use the product near petrol stations, chemical plants, in areas with a potentially explosive atmosphere and where blasting takes place.
- Do not use the product near medical equipment.
- Do not use the product in airplanes.
- Do not use the product near your body for extended periods.