

LENGTH MEASURING - MECHANICAL



• 2701 Double Wheel



• 2401 Single Wheel

Description 2701 | 2401 | 2300

These rugged instruments have a wide range of applications where an accurate record of length is required. They are strong heavy duty units for use on calendars, tenters, rolling, ribbon winding textile machinery and almost all other continuous manufacturing processes. The 2701 (twin wheel) and the 2401 (single wheel) units are mounted or hung from a supplied stay rod 17.99" (457mm). The 2300 bolts directly onto a bulkhead or frame member. All models incorporate a hinge arrangement on the stay rod so they can be positioned at any angle. Incorporates the 3602 counter and measuring wheels (details on reverse).



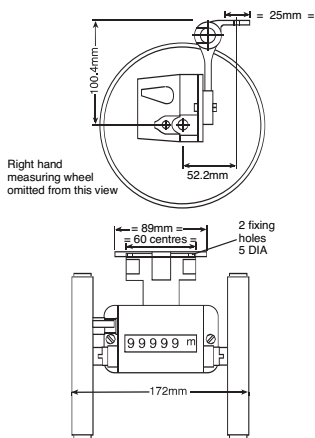
• 2300

Specifications 2701 | 2401 | 2300

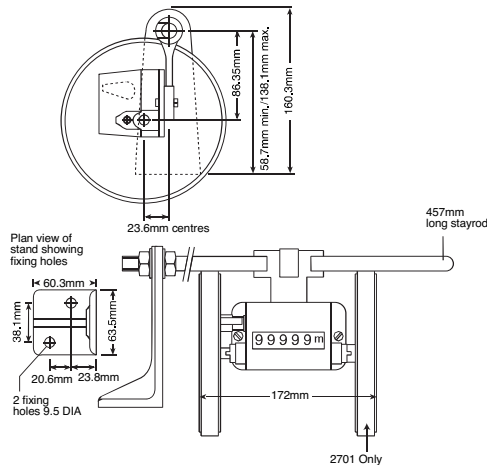
Application	Heavy duty length measurement
Display	6 digit 0.25" (6.4mm)
Electronic option	Electronic encoder
Measurement options	Imperial or Metric
Max speed of travel	3000 RPM mechanical
Units of measurement	Feet & Inches Feet Yards & Eighths Yards Meters & Centimeters Metres

Shaft Diameter	7mm
Compatible Units	3602 counter
Pack Dimensions 2300	7.09" (180mm) x 7.87" (200mm) x 10.63" (270mm)
Pack Dimensions 2401 2701	19.69" (500mm) x 9.84" (250mm) x 3.94" (100mm)
Gross Weight	2300: 2.81lb (1.3kg) 2401: 3.74lb (1.7kg) 2701: 4.4lb (2.0kg)

Product Dimensions 2300



Product Dimensions 2401 | 2701



- Stand may be configured by user to mount on either the left or right.

LENGTH MEASURING ORDERING INFORMATION

To order a 2300, 2401 or 2701

1. Select from the three different basic units.
2. Select the surface type.
3. Select the circumference for the 4 option.
4. Select the reading and the direction of travel.
5. Select direction of travel.

1. Select one of units available from below

CODE

- 2300** - Measuring counter with hinged bracket and two wheels.
- 2401** - Measuring counter with stand, stay rod, counter mounting bracket and one wheel
- 2701** - Measuring counter with stand, stay rod, counter mounting bracket and two wheels.

2. Select one of the measuring wheels listed below

CODE

- 1 Rubber covered plastic wheel(s)
- 3 Polyurethane covered plastic wheel(s)
- 5 Knurled aluminium wheel(s)

3. Select the correct circumference for the wheel(s)

CODE

- 1 1/2 metre wheel(s)
- 2 1/3 metre wheel(s)
- 3 18 inch wheel(s)
- 4 12 inch wheel(s)

4. Select reading

CODE

- MY Yards and 1/8ths
- MFY Yards
- MF Feet & Inches
- MFF Feet
- MC Meters & Centimeters
- MFM Meters

5. Direction of travel

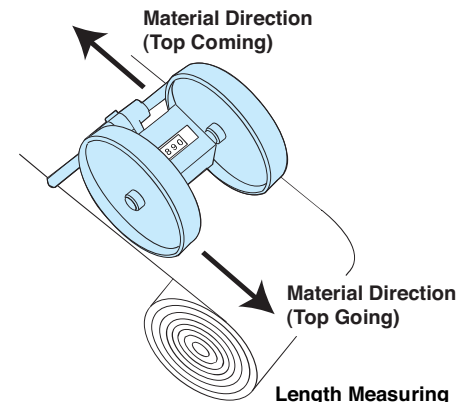
CODE

- C Top coming
- G Top going

6. Example of full order code

2701 Unit (stand stayrod and 2 wheels) with 18" rubber covered plastic wheels, reading yards & 1/8ths, direction top going.

The full order code is:- **2701-13MYG**





Measuring Wheels

The measuring wheels supplied can be 18", 12", 1/2m or 1/3m circumference (please specify when ordering). The weight of the assembly holds it in contact with the material being measured.

MEASURING WHEEL ORDERING INFORMATION

MATERIAL	WIDTH	12" circumference	18" circumference	1/3m circumference	1/2m circumference
Rubber Covered Plastic	5/8" (16mm)	007571	007573	007905	007574
Polyurethane Covered Plastic	5/8" (16mm)	011105	011106	011107	011108
Knurled	5/8" (16mm)	001558	001622	002626	001862



• 3602

Description 3602

Robustly constructed for continuous operation at high speeds with the main shaft running in double oil impregnated bearings to ensure accurate, long term, trouble free service. Supplied double drive with wing bush, right reset.

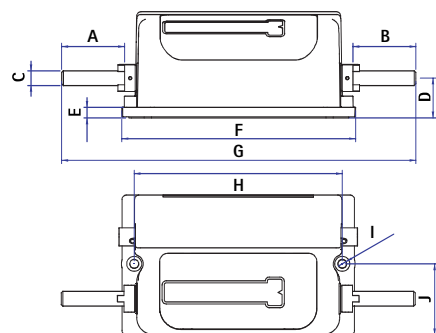
Specification 3602

Display White on black, decimals black on white 0.25in" (6.4mm) figures.
Base Material Stainless Steel
Cover Material Grey ABS plastic
Drive Shaft 0.275" (7mm) diameter
Bearings Bronze, oil impregnated for life
Operating Torque 180g.cm (2.5oz.in) at 1:1 gearing
Max. Shaft Speed 3000RPM
Max. Count Speed 3000CPM
Operating Temp. -10°C to +60°C
Storage Temp. -20°C to +70°C
Environ. Protection IP40
Nett Weight 280g

Features 3602

- 6 digit 6.4mm (0.25in) readout.
- Up to 3000 counts per minute with 1:1 gear ratio.
- Front viewing.
- Reset to zero.
- Reset by lever.

Dimensions 3602



A	29.75mm	2.24"	H	98.40mm	3.87"
B	29.75mm	2.24"	I	ø4.25mm	ø0.17"
C	ø7mm	2.08"	J	33.50mm	1.32"
D	18mm	0.71"	K	50mm	1.97"
E	5mm	0.20"	L	17mm	0.67"
F	111mm	4.37"	M	66mm	2.59"
G	167mm	6.57"	N	36° Viewing Angle	

