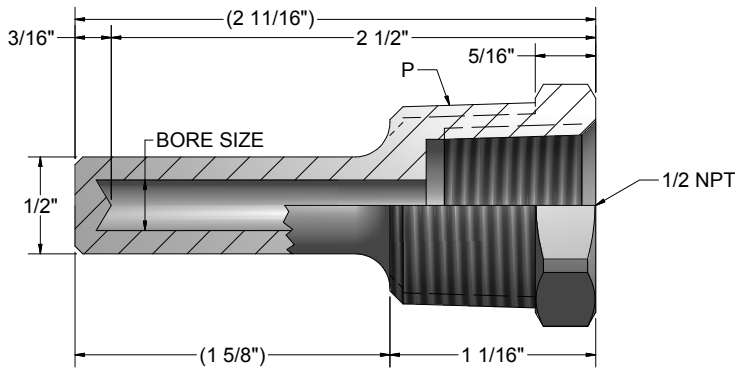
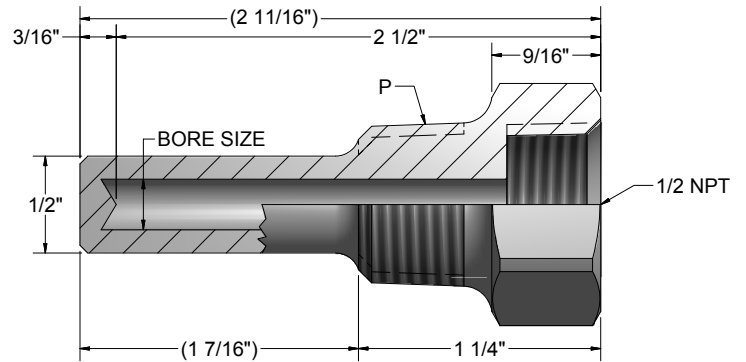


Limited-Space Thermowells are available in a variety of materials and process connection sizes. Thermowell specifications should be determined based on process conditions which include strength, temperature, pressure and corrosion-resistance requirements. They are intended for use in piping systems where space is limited. They are designed with a standard 0.260" bore diameter to accommodate sensing elements with a 0.252" maximum diameter. These wells are available as separate components or as part of complete sensor assemblies.

3/4" and 1" NPT



1/2" NPT



ORDER CODES

Example Order Number:

1-0 1-1 1-2 1-3 1-4
LS 4 D 2.5 08 C8

1-0 Well Type

CODE	DESCRIPTION
LS	Limited-space threaded

1-1 Bore Size

CODE	DESCRIPTION
4	0.260" Dia. bore

1-2 Pipe Size "P"

CODE	DESCRIPTION
C	1/2" NPT
D	3/4" NPT
E	1" NPT

1-4 Options

CODE	DESCRIPTION
C8	316 stainless steel well cap and chain
C22	Brass well cap and chain
S	Well stamped with customer-specified part number

1-3 Material

CODE	DESCRIPTION
XX	Specify two digit material code as stated in the Thermowell Material Table located earlier in section