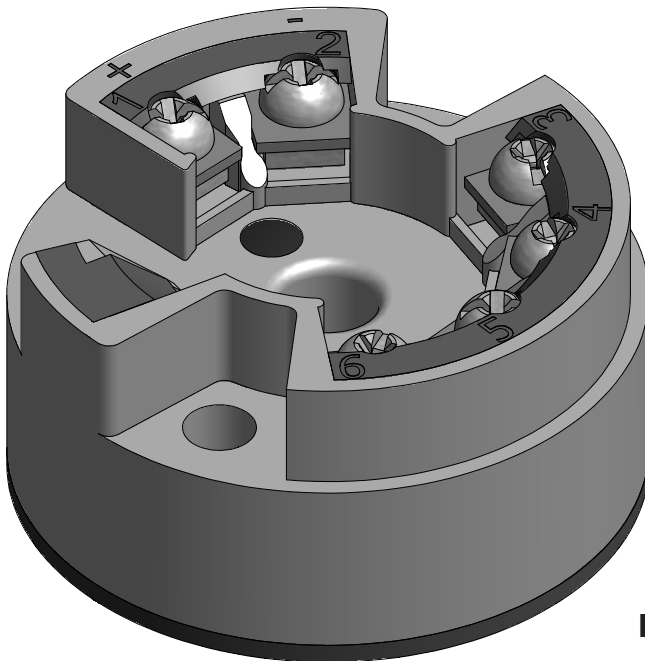


The Series 442 programmable HART® temperature transmitter is a 2-wire transmitter with an analog output. It has measurement input for resistance thermometers (RTD) in 2-, 3- or 4-wire connections, thermocouples, resistance and voltage inputs. The transmitter can be programmed with a PC or HART® protocol hand-held terminal. These small units can be mounted in Pyromation DIN (Form B) connection heads, or they can be used for surface mounting by using a 35 mm DIN-rail mounting clip.

TEMPERATURE HEAD TRANSMITTER

Intrinsically safe universal head transmitter for resistance thermometers (RTD), thermocouples, resistance and voltage inputs, programmable using HART® protocol, for installation in a sensor head (Form B).



Features and Benefits

- Universal settings with HART® protocol for various signals.
- Galvanic isolation
- 2-wire technology, (4 to 20) mA analog output
- High accuracy in total ambient temperature range
- Fault signal on sensor break or short circuit
- RFI/EMI Protected, **CE** marked
- **UL** US UL Recognized Component
- **IS** Intrinsically safe and non-incendive for hazardous locations
- **FM** Intrinsically safe and non-incendive for hazardous locations
- Output simulation

Hart® is a registered trademark of Hart Communication Foundation