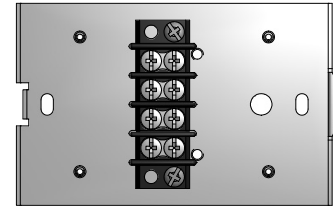
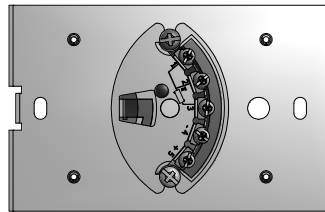
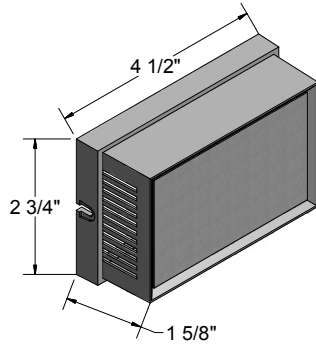


# SPECIAL-PURPOSE

## Configuration Code SP07 Thermostat Temperature Sensors

The Pyromation thermostat temperature sensors are provided with the sensor, or the sensor and a (4 to 20) mA temperature transmitter, mounted on a subplate within a standard size thermostat housing. The thermostat housing measures 2 3/4" x 4 1/2" x 1 5/8" and can be mounted either horizontally or vertically on a 2" x 4" electrical handibox. The cover is vented on two sides to provide for airflow over the sensing element, regardless of mounting position. The standard temperature sensing elements are available as a Teflon® insulated thermocouple or a three-wire RTD. Matching transmitters are available for all configurations and output ranges.



Temperature Range (-40 to 85) °C

### ORDER CODES

**Example Order Number:**

**2215-RBF185L3 - T**

#### Thermostat Housings

| CODE                | DESCRIPTION   |
|---------------------|---|
| 2215 - RBF185L3     | Thermostat housing with integral 100 Ω platinum RTD 0.003 85 0 °C <sup>-1</sup> temperature coefficient Class B |
| 2215 - (J, K, T, E) | Thermostat housing with integral thermocouple element   |
| 2415                | Thermostat housing with base plate and 4-position terminal strip - no sensing element                           |

#### Option

| CODE  | DESCRIPTION  |
|-------|--|
| T-440 | 4-20 mA RTD transmitter mounted in housing with sensor (see instrument section)      |
| T-441 | 4-20 mA isolated transmitter mounted in housing with sensor (see instrument section) |

Teflon® is a registered trademark of E. I. du Pont de Nemours and Company.



© 2006 Pyromation, Inc.