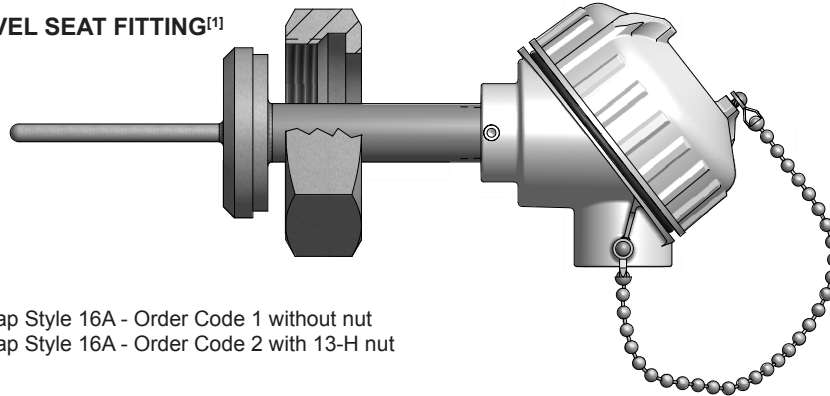


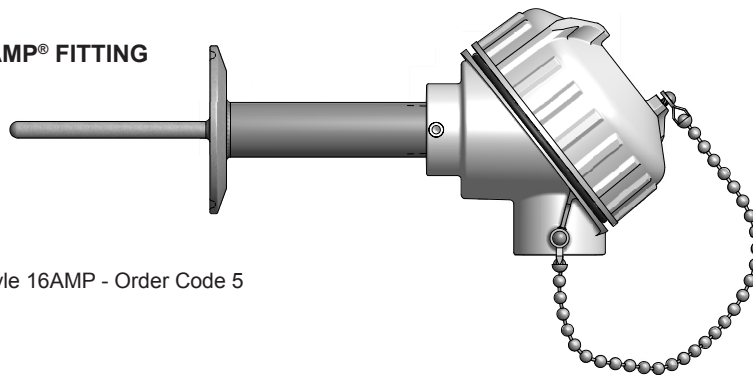
The CIP (clean in place) sanitary connections illustrated on this page are the most commonly used fittings in food, dairy, beverage, pharmaceutical, and chemical processes where contamination and cleanliness is of concern. Fittings other than those illustrated are available upon request. The illustrations are provided for reference purposes to aid in the selection of the correct fitting style for new or replacement sensor assemblies. Most CIP sensor assemblies manufactured by Pyromation are constructed in accordance with the **3-A Sanitary Council Standard 74-** for instrument fittings and connections.

BEVEL SEAT FITTING^[1]



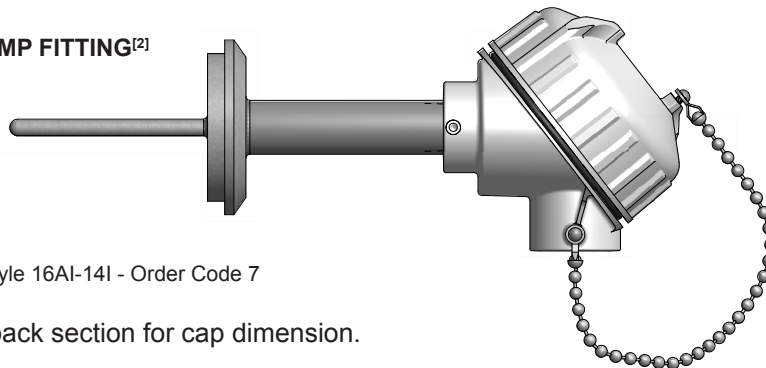
Cap Style 16A - Order Code 1 without nut
Cap Style 16A - Order Code 2 with 13-H nut

TRI-CLAMP® FITTING



Cap Style 16AMP - Order Code 5

"I" CLAMP FITTING^[2]



Cap Style 16AI-14I - Order Code 7

See back section for cap dimension.

[1] Must be manually cleaned.

[2] Not 3-A authorized.

Tri-Clamp® is a registered trademark of Alfa Laval, Inc.