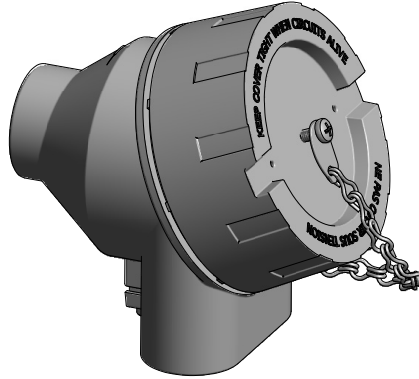


The hazardous location-rated connection heads shown below are designed for Class I, Division I locations. Please refer to page AC-7 for descriptions, specifications and ratings for each head. See the "Overview of NEC Hazardous Location Classifications and Methods of Protection" table in the Explosion-Proof (XP) Sensors section of the Pyromation catalog for complete definitions of ratings.



**800 Series XP
Connection Heads**



**215807 Series XP
Connection Head**



**210 Series XP
Connection Heads**

ORDER CODES

Example Order Number:

1-1 1-2
807 - 341

1-1 Explosion-Proof Aluminum/Iron

ORDER CODE	DESCRIPTION			Maximum Gas Group Rating
	Process Opening	Conduit Opening	Standard Gasket	
807	1/2" NPT	3/4" NPT	Graphite	C
808	3/4" NPT	3/4" NPT	Graphite	C

1-1 Explosion-Proof 316 Stainless Steel

ORDER CODE	DESCRIPTION			Maximum Gas Group Rating
	Process Opening	Conduit Opening	Standard Gasket	
804	1/2" NPT	3/4" NPT	Graphite	C
805	3/4" NPT	3/4" NPT	Graphite	C

1-1 Explosion-Proof Aluminum DIN Style

ORDER CODE	DESCRIPTION			Maximum Gas Group Rating
	Process Opening	Conduit Opening	Standard Gasket	
210807	1/2" NPT	3/4" NPT	Buna N O-ring	B
215807	1/2" NPT	3/4" NPT	Buna N O-ring	A

1-1 Explosion-Proof 316 Stainless Steel DIN Style

ORDER CODE	DESCRIPTION			Maximum Gas Group Rating
	Process Opening	Conduit Opening	Standard Gasket	
210804	1/2" NPT	3/4" NPT	Buna N O-ring	B

1-2 Ceramic Terminal Blocks[1]

ORDER CODE	DESCRIPTION	CONDUCTOR SIZE
341	Single terminal block	Up to 8 AWG
342	Duplex terminal block	Up to 8 AWG
343-2	Triplex terminal block with 2 brass terminals	Up to 12 AWG
343-3	Triplex terminal block with 3 brass terminals	Up to 12 AWG
343-4	Triplex terminal block with 4 brass terminals	Up to 12 AWG
343-6	Triplex terminal block with 6 brass terminals	Up to 12 AWG

[1] Only available with 800 series heads

1-2 DIN Form B Style Ceramic Terminal Blocks[2]

ORDER CODE	DESCRIPTION	CONDUCTOR SIZE
210412	Single terminal block	Up to 8 AWG
210304	Duplex terminal block	Up to 16 AWG
210332	Triplex terminal block with 2 brass terminals	Up to 16 AWG
210333	Triplex terminal block with 3 brass terminals	Up to 16 AWG
210334	Triplex terminal block with 4 brass terminals	Up to 16 AWG
210336	Triplex terminal block with 6 brass terminals	Up to 16 AWG

[2] Only available with 210 or 215 series heads