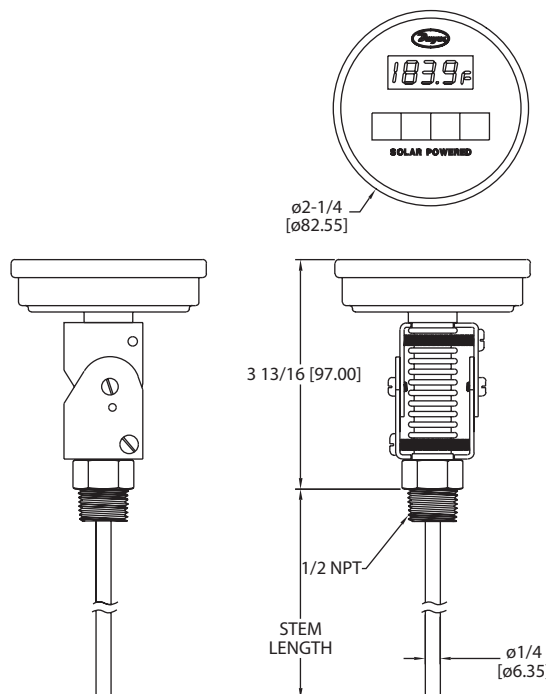




Series DBT Digital Solar-Powered Bimetal Thermometer

Specifications - Installation and Operating Instructions



The Series DBT Digital Solar-Powered Bimetal Thermometer takes the guesswork out of temperature measurement. The 3-1/2 digit LED display is easy to read and provides resolution to 0.1°F. The adjustable angle can be mounted in virtually any position. The engineering units can be selected in the field by removing the back cover.

Operation

Series DBT thermometers are solar powered and are continuously operating. Series DBT thermometers must be used in environments where there is adequate light available to power the unit. To obtain a temperature reading on the Series DBT, simply insert the stem of the thermometer into the process being measured.

Thermowells are recommended in all high pressure, flow, and corrosive media applications. Thermowells protect the Series DBT thermometer from damage and premature failure. Additionally, thermowells allow for easy removal of the DBT draining the process media.

Unit Selection

The Series DBT allows users to field select the readings to be measured in °F or °C. Remove the rubber cap on the rear of the unit. The unit switch will be to the right for °F and to the left for °C. Refer to Figure A.

SPECIFICATIONS

Range: 14 to 302°F (-10-150°C).

Wetted Materials: 304 SS.

Lens: Acrylic.

Accuracy: 32 to 122°F (0 to 50°C): ±1°C.

Dial Size: 3"

Connection: 1/2" NPT-Adjustable Angle.

Display: 3-1/2 Digit LCD.

Response Time: 15 seconds.

Supply Power: 3-Volt Solar Cell (minimum 35 LUX required).

Weight: 12 oz (350 g).

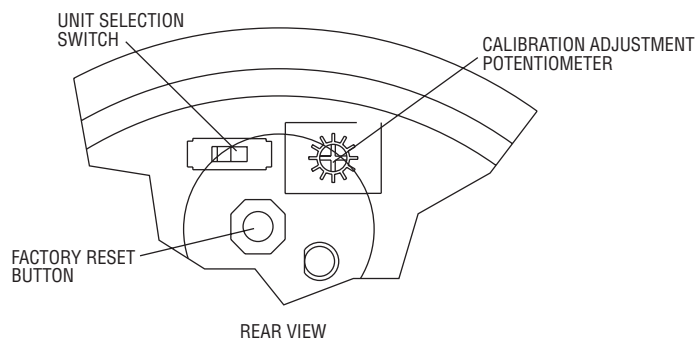


Figure A.